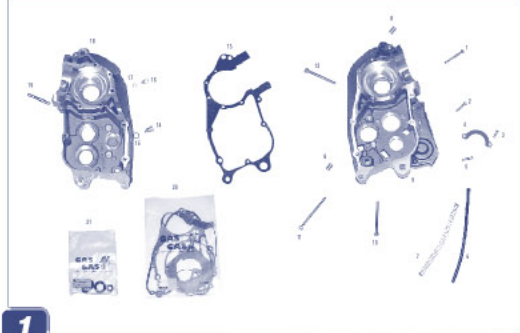


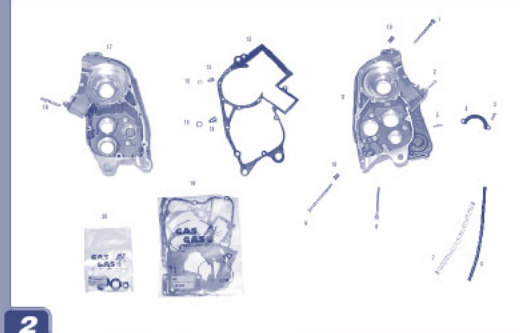
MOTOR

Carter / Crankcase **GAS GAS** PAMPERA 125



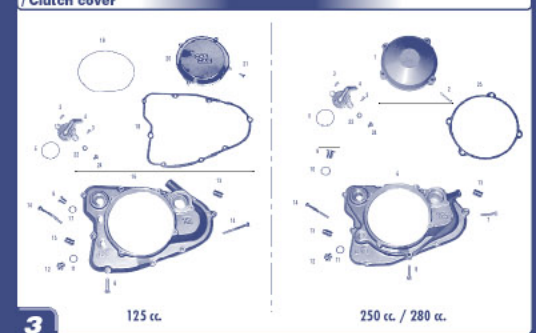
1

Carter / Crankcase **GAS GAS** PAMPERA 250/280



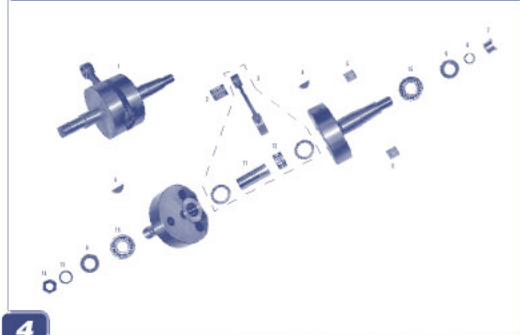
2

Tapa embrague / Clutch cover **GAS GAS** PAMPERA 2002



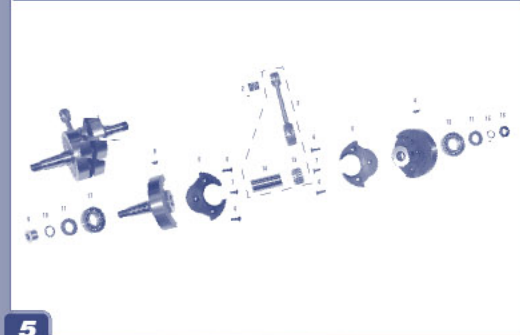
3

Cigüeñal / Crankshaft **GAS GAS** PAMPERA 125



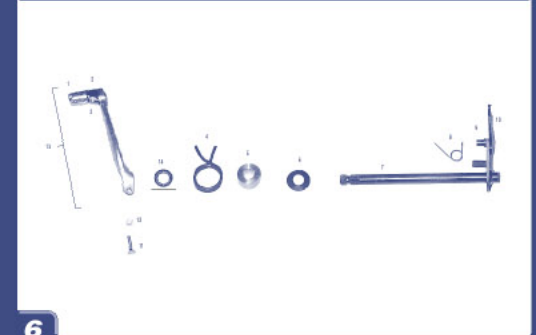
4

Cigüeñal / Crankshaft **GAS GAS** PAMPERA 250/280



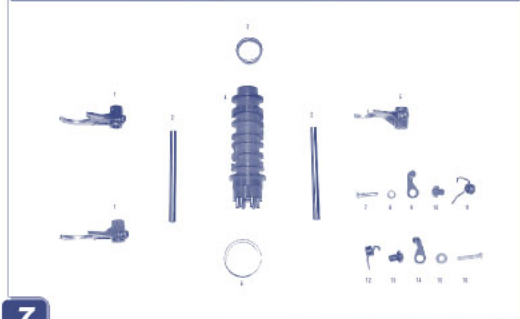
5

Pedal cambio / Gear lever **GAS GAS** PAMPERA 2002



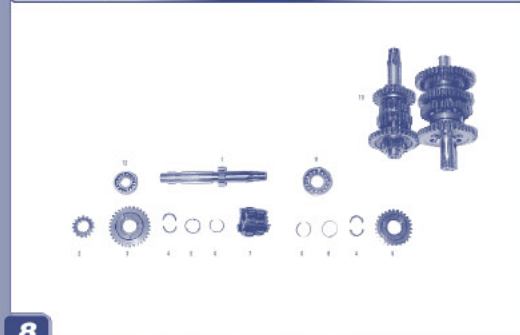
6

Grupo selector / Shift cam **GAS GAS** PAMPERA 2002



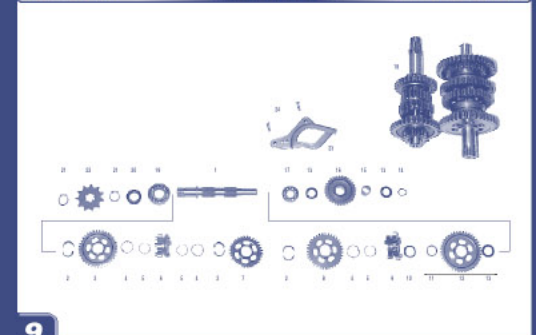
7

Cambio / Gear **GAS GAS** PAMPERA 2002



8

Cambio / Gear **GAS GAS** PAMPERA 2002

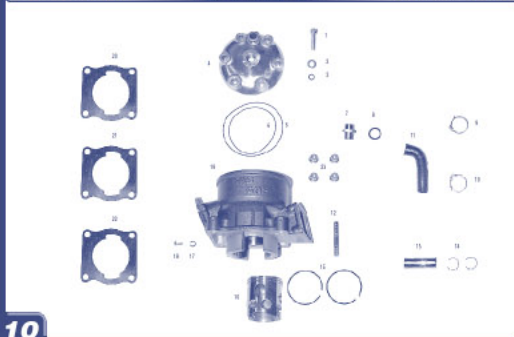


9

DESPIECE

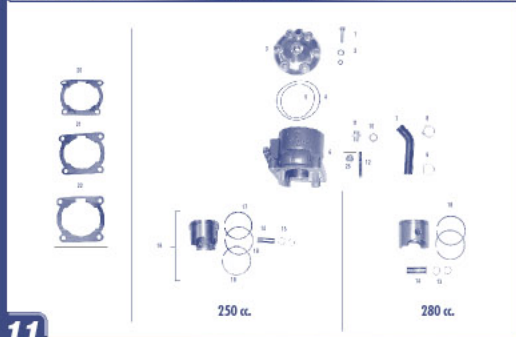
ENGINE

Cilindro / Cylinder **GAS GAS** PAMPERA 125



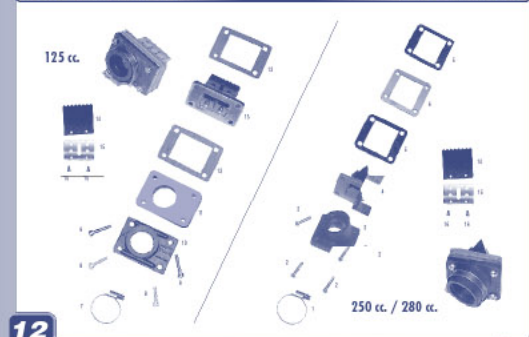
10

Cilindro / Cylinder **GAS GAS** PAMPERA 250/280



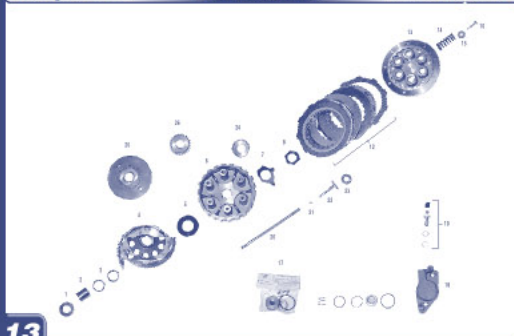
11

Caja láminas / Reed block **PAMPERA 2002**



12

Embrague / Clutch **GAS GAS** PAMPERA 2002



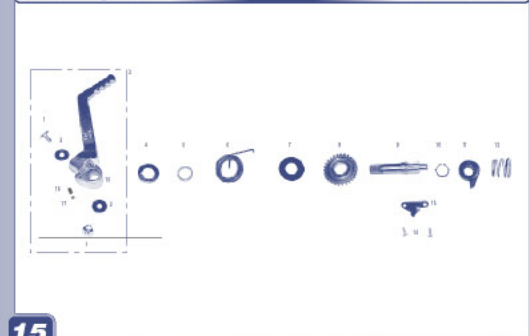
13

Conjunto bomba / Water pump set **GAS GAS** PAMPERA 2002



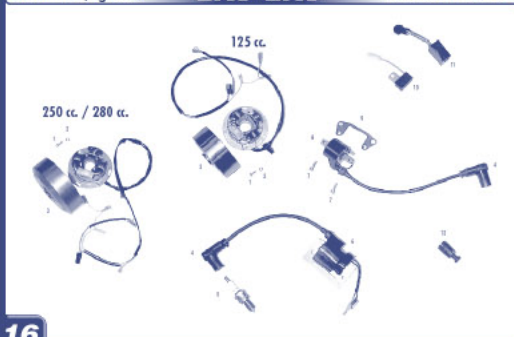
14

Pedal arranque / Kickstart **PAMPERA 2002**



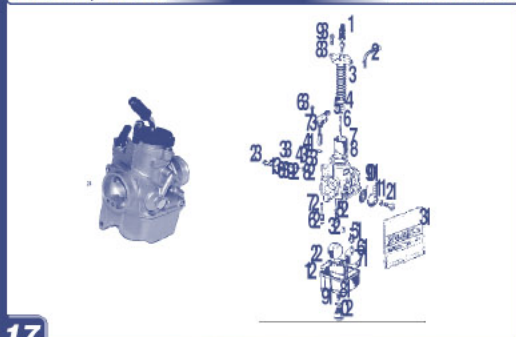
15

Encendido / Ignition **GAS GAS** PAMPERA 2002



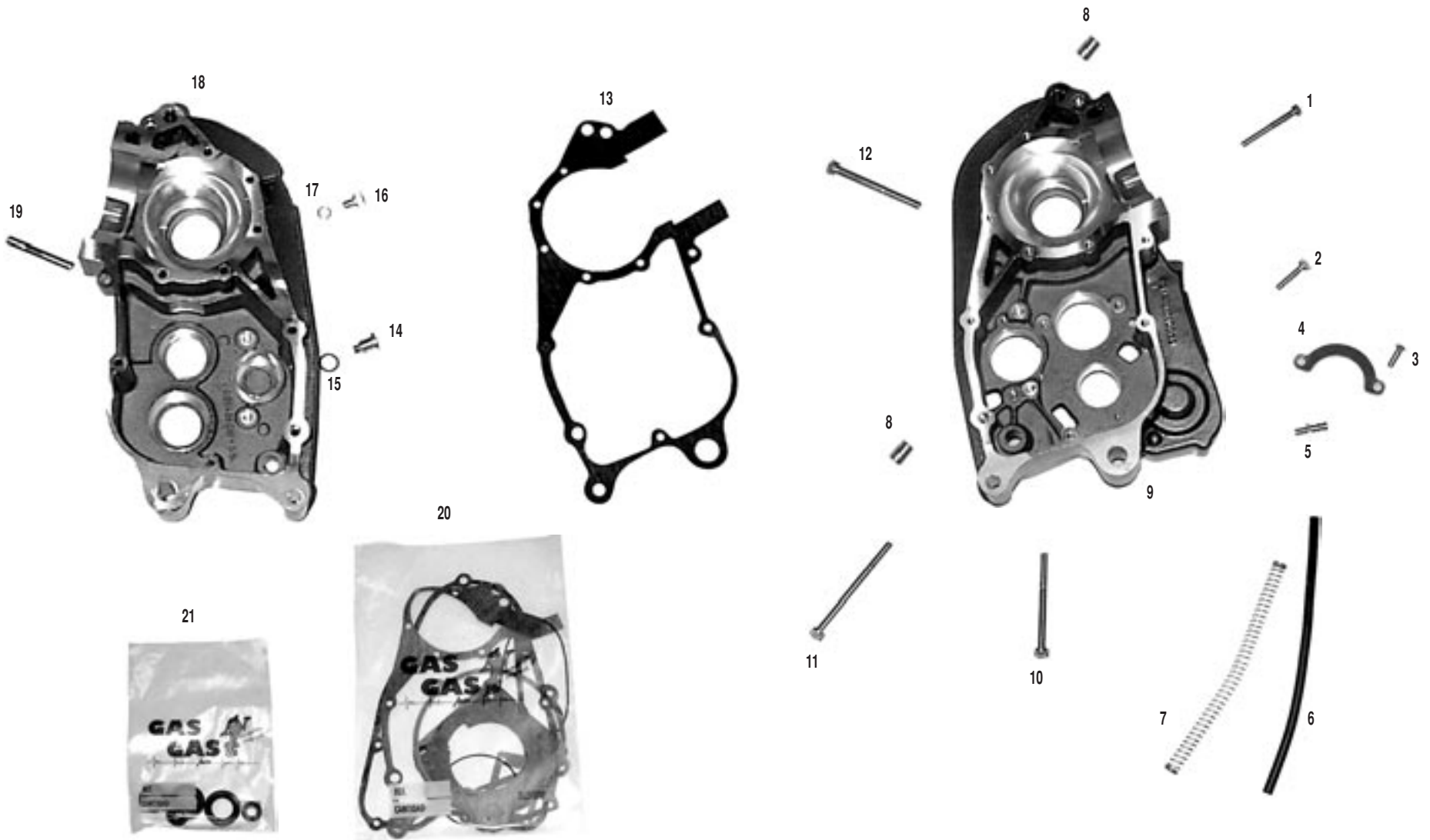
16

Carburador / Carburetor **PAMPERA 2002**

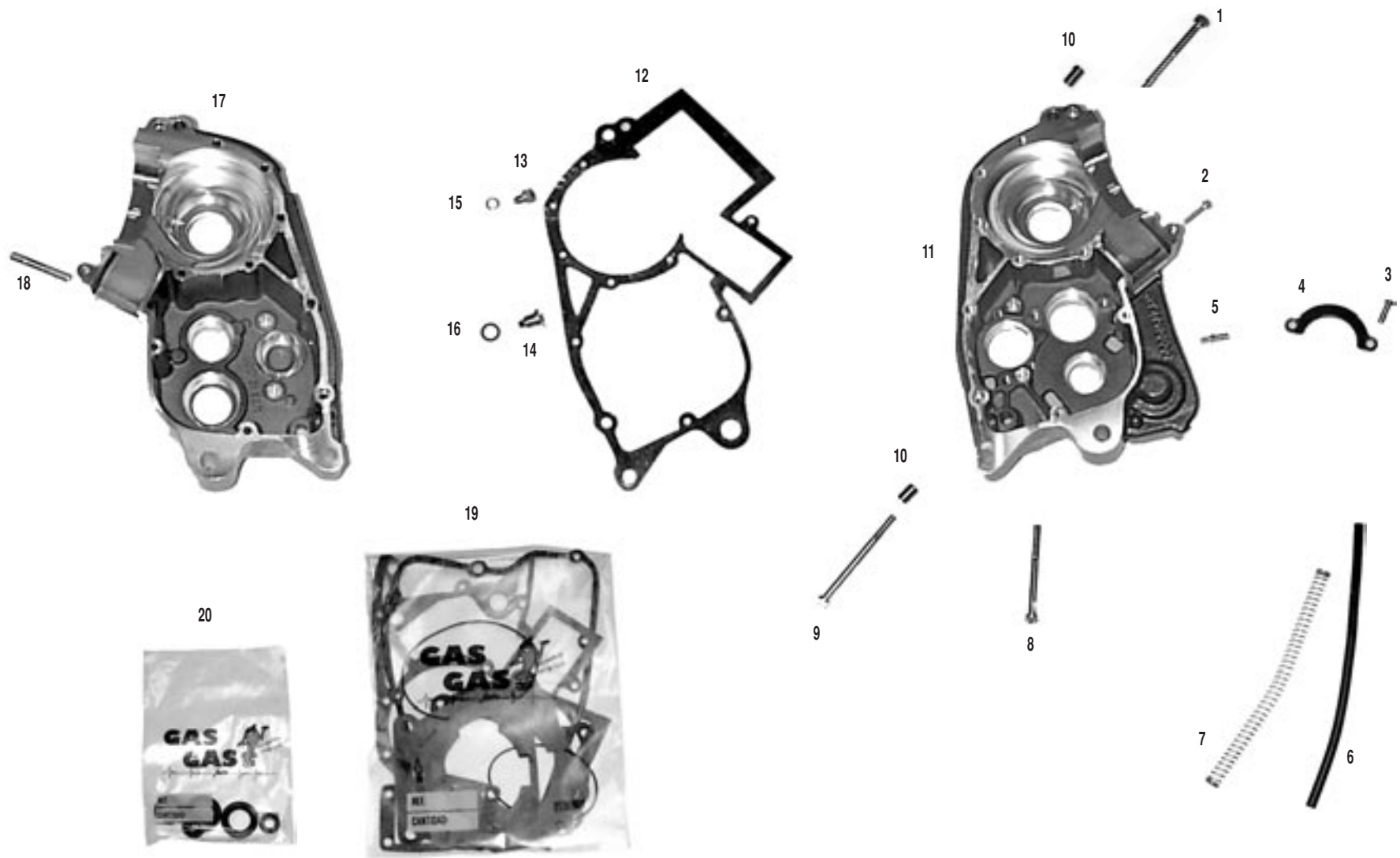


17

PART LIST



Nº	DESCRIPCION / DESCRIPTION	125 c.c.	Cant.
1	ALLEN 6X50 DIN 912 CÁRTER / 6X50 ALLEN	T0306050	4
2	ALLEN 6X35 / 6X35 ALLEN	T0306035	1
3	ULS 6X16 / 6X16 ULS	T0506016	2
4	PLATINA PRIMARIO / KICKSTART PLATE	M02628001	1
5	DESVAPORIZADOR CÁRTER / CRANKCASE BREATHER	M01032001	1
6	TUBO SOBRANTE RADIADOR 5X8 / 5X8 BREATHER TUBE	G460000	1
7	MUELLE DESVAPORIZADOR / BREATHER SPRING	M150000	1
8	CASQUILLO CENTRADOR CÁRTER 6X9X14 / CRANKCASE CENTRER BUSHING	M01017000	2
9	CÁRTER DERECHO / RIGHT CRANKCASE	MT120010000	1
10	ALLEN 6X70 8.8 CÁRTER / 6X70 ALLEN	T0306070	3
11	ALLEN 6X80 DIN 912 CÁRTER / 6X80 ALLEN	T0306080	1
12	ALLEN 6X60 / 6X60 ALLEN	T0306060	2
13	JUNTA CÁRTER 0.3 / CRANKCASE GASKET	M04429005	1
14	TAPÓN VACIADO ACEITE CON IMÁN / CAP OIL WITH MAGNET	M01016005	1
15	TORICA TORNILLO ACEITE 12X2X / LEVEL PLUG O'RING	M01016100	1
16	ALLEN 8X10 / 8X10 ALLEN	T0308010	1
17	ARANDELA COBRE 8X12 / WASHER COPPER 8X12	M01033000	1
18	CÁRTER IZQUIERDO / LEFT CRANKCASE	MT120010001	1
19	ESPÁRRAGO CILINDRO LARGO / STUD, BOLT CYLINDER	M01612005	4
20	KIT JUNTAS TRIAL 8 / GASKETS TRIAL 8 KIT	MT12944100	1
21	CTO. RETENES TRIAL / CPT. OIL SEAL TRIAL	MT27944200	1



N°	DESCRIPCION / DESCRIPTION	250 / 280 c.c.	Cant.
1	ALLEN 6X50 DIN 912 CARTER / 6X50 ALLEN BOLT	T0306050	4
2	ALLEN 6X25 / 6X25 ALLEN BOLT	T0306025	1
3	ULS 6X16 / 6X16 ULS	T0506016	2
4	PLATINA PRIMARIO / KICKSTART PLATE	M02628001	1
5	TUBO DESVAPORIZADOR CARTER / BREATHER CRANKCASE TUBE	M01032001	1
6	TUBO SOBRANTE RADIADOR 5X8 / BREATHER 5X8 TUBE	G460000	1
7	MUELLE DESVAPORIZADOR / BREATHER SPRING	M150000	1
8	ALLEN 6X70 8.8 CÁRTER / 6X70 ALLEN BOLT	T0306070	5
9	ALLEN 6X80 DIN 912 CARTER / 6X80 ALLEN BOLT	T0306080	1
10	CASQUILLO CENTRADOR CARTER 6X9X14 / BUSHING CENTRALIZE CRANKCASE	M01017000	2
11	CÁRTER DERECHO / RIGHT CRANKCASE	MT280010000	1
12	JUNTA CARTER 0.3 / CRANKCASE GASKET	MT27944001	1
13	ALLEN 8X10 / 8X10 ALLEN BOLT	T0308010	1
14	TAPÓN VACIADO ACEITE CON IMÁN / EMPTY CAP OIL WITH MAGNET	M01016005	1
15	ARANDELA COBRE 8X12 / WASHER COPPER 8X12	M01033000	1
16	ARANDELA COBRE 12X18X1.5 / WASHER COPPER 12X18X1.5	ME25810030	1
17	CARTER IZQUIERDO / LEFT CRANKCASE	MT280010001	1
18	ESPÁRRAGO CILINDRO LARGO / STUD,BLOT CYLINDER	M01612003	4
19	KIT JUNTAS TRIAL Y PAMPERA / KIT GASKETS TRIAL AND PAMPERA	MT27944100	1
20	CTO. RETENES TRIAL / OIL SEAL TRIAL SET	MT27944200	1

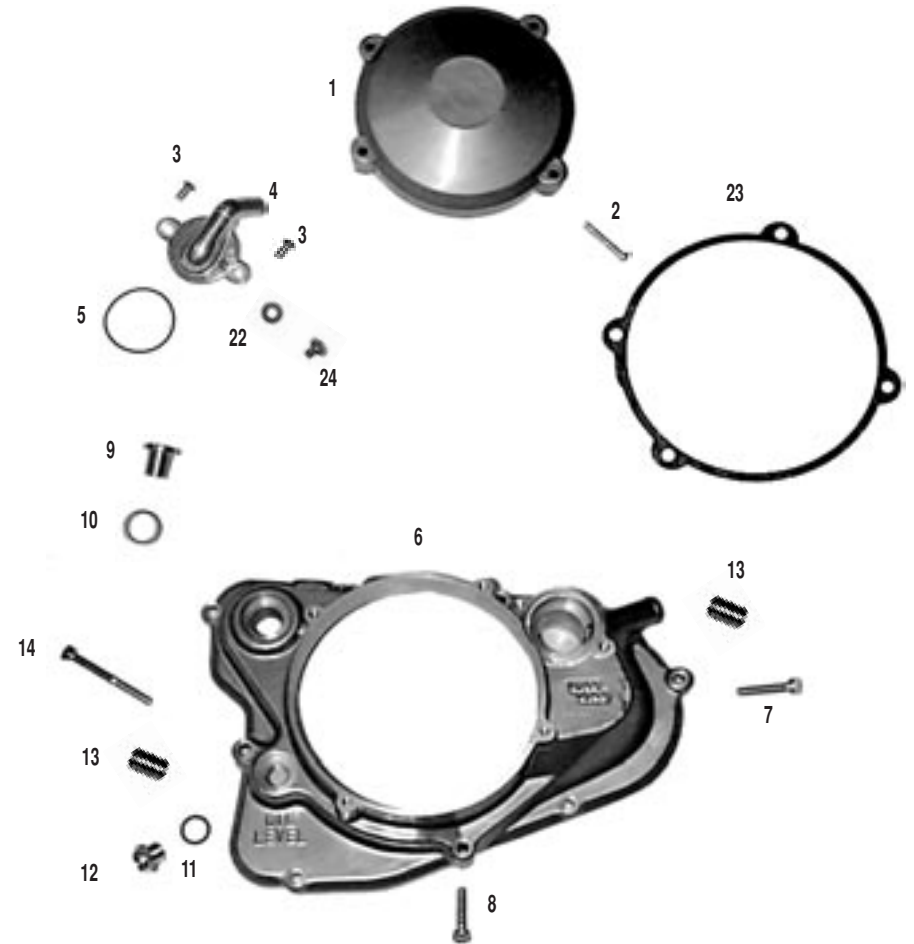
**Tapa embrague
/ Clutch cover**

GAS GAS

PAMPERA 2002

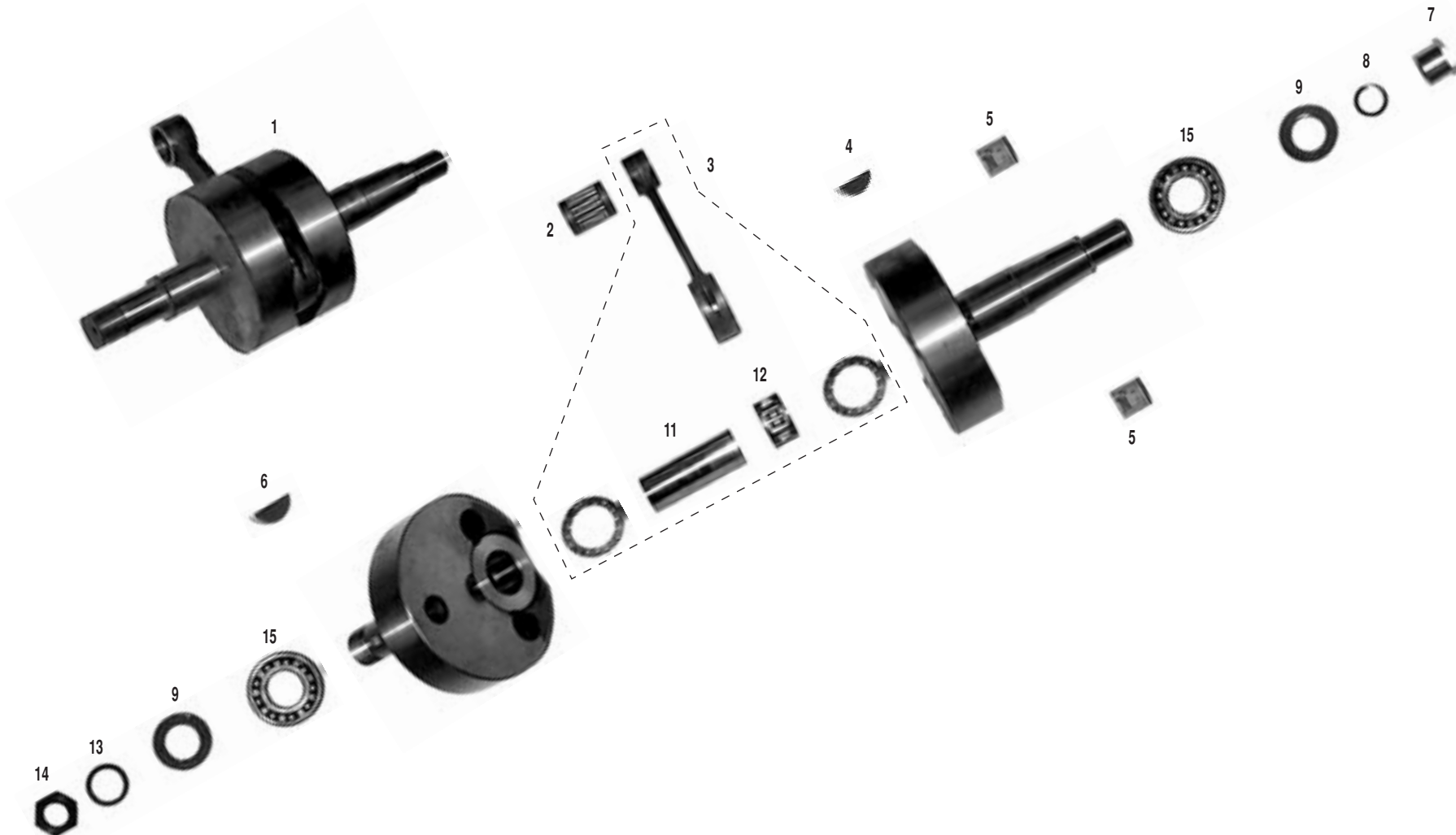


125 cc.

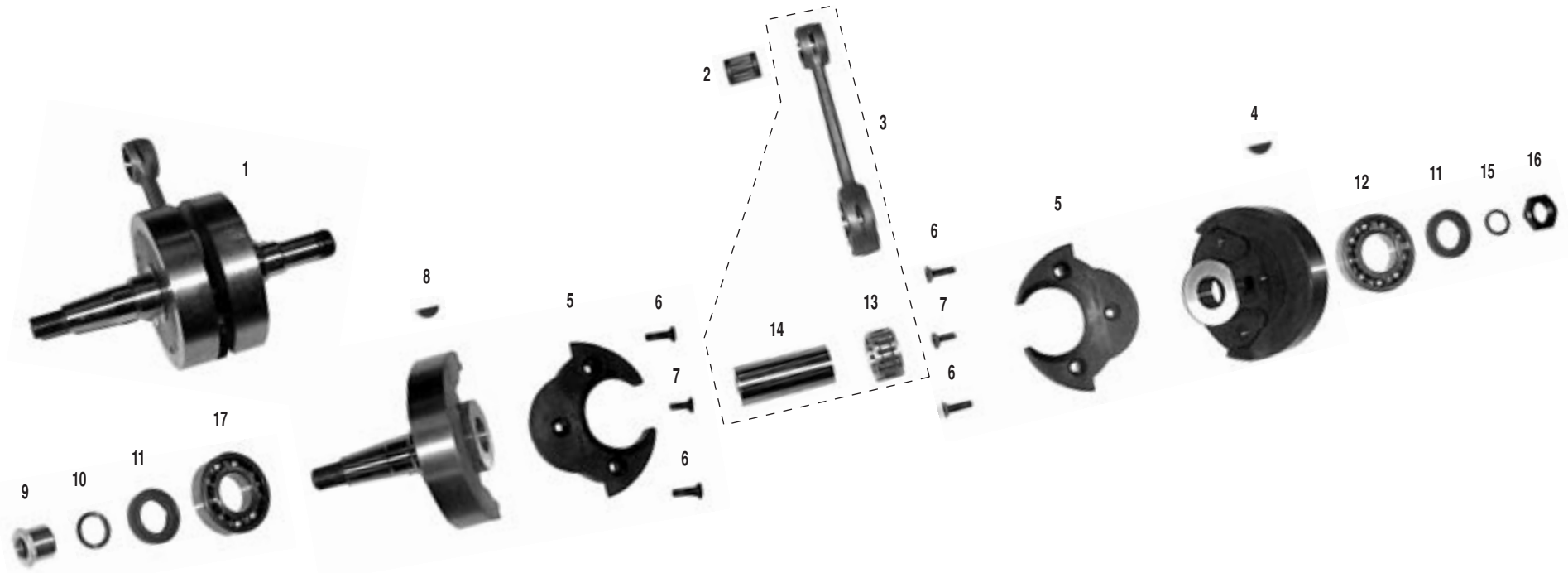


250 cc. / 280 cc.

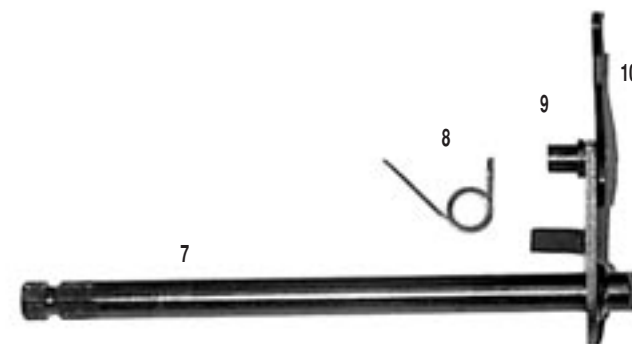
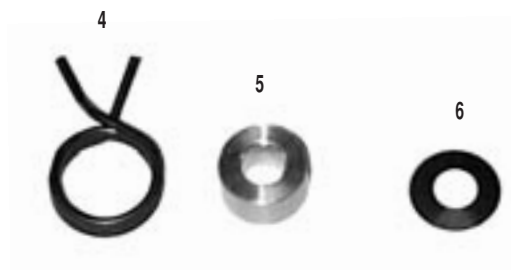
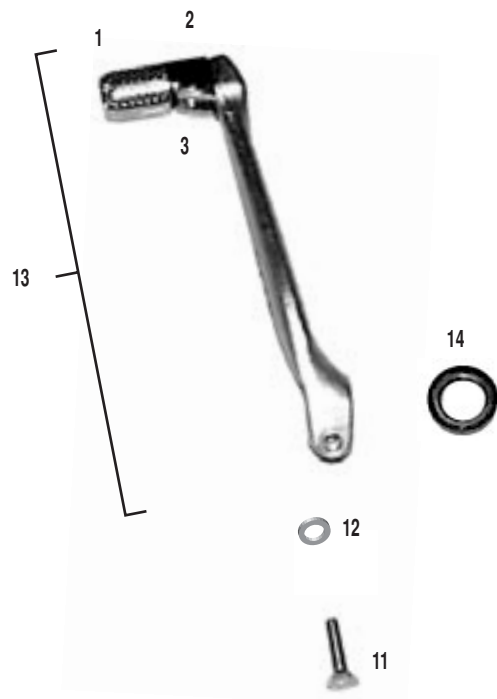
Nº	DESCRIPCION / DESCRIPTION	125 c.c.	250 / 280 c.c.	Cant.
1	TAPA VOLANTE / FLY-WHEEL COVER		MT280110004	1
2	ULS 6X35 / SCREW, BOLT ALLEN 6X35		T0506035	4
3	ULS 6X10 DIRECCIÓN / SCREW, BOLT ALLEN 6X10		T0506010	2
4	TAPA BOMBA DE AGUA / WATER PUMP COVER	M01012110	MT280010008	1
5	TORICA TAPA BOMBA AGUA / O'RING WATER PUMP COVER		M04433000	1
6	TAPA EMBRAGUE 99 / CLUTCH COVER		MT27932001	1
7	ALLEN 6X30 / 6X30 ALLEN		T0306030	3
8	ALLEN 6X25 / 6X25 ALLEN		T0306025	4
9	TAPÓN ACEITE / OIL PLUG		M01016002	1
10	ARANDELA DE COBRE 12X18X1.5 / COPPER WASHER		ME25810030	1
11	ARANDELA FIBRA 10X14X1.5 / FIBER WASHER		M01033005	1
12	VISOR NIVEL ACEITE ALUMINIO / OIL LEVEL CLEAR PLUG		M01016110	1
13	CASQUILLO CENTRADOR CARTER / CRANKCASE CENTRER BUSHING		M01017000	2
14	ALLEN 6X35 / 6X35 ALLEN		T0308035	2
16	TAPA EMBRAGUE 125-200, 98 / COVER CLUTCH 125-200	MT27732001CA		1
17	TORICA TAPÓN ACEITE 12X16X1.5 / O'RING OIL PLUG	M01016100		1
18	JUNTA TAPA EMBRAGUE / COVER CLUTCH GASKET	M04430002		1
19	TORICA TAPA EMBRAGUE / O'RING CLUTCH COVER	M04434000		1
20	TAPA EMBRAGUE PULIDA / COVER CLUTCH MINOR		M01012250	1
21	ULS 5X12 / 5X12 ULS		T0505012	4
22	ARANDELA FIBRA M5X10 TAPA BOMBA / WASHER FIBER M5X10		T4005008	1
23	JUNTA TAPA VOLANTE / GASKET FLY-WHEEL COVER	MT27844004	M04431000	1
24	TORNILLO PHILIPS M5X8 / SCREW, BOLT PHILIPS M5X8		T0705080	1



Nº	DESCRIPCION / DESCRIPTION	125 c.c.	Cant.
1	CTO. CIGÜEÑAL 125-200 TRIAL / CRANK SHAFT ASSEMBLY SET	M01210001	1
2	COJINETE AGUJAS 16X20X23 / SMALL END BEARING	M01411100	1
3	CTO. BIELA 125-200 / CPT. CON ROD ASSEMBLY	M01218110	1
4	CHAVETA PIÑÓN CONTRAPESO / PINION KEY	M01223000	1
6	CHAVETA VOLANTE / IGNITION KEY	M01224000	1
7	TUERCA M16X150 / M16X150 NUT	M01222000	1
8	ARANDELA VOLANTE MAGNÉTICO / MAGNETIC IGNITION WASHER	M01221000	1
9	RETEN CIGÜEÑAL 25-40-8ASFP / CRANK SHAFT OIL SEAL	M01217001	2
10	COJINETE CIGÜEÑAL / CRANK SHAFT BEARING	M01216002	1
11	BULON CIGÜEÑAL / CRANK SHAFT PIN	M01414002	1
12	COJINETE CABEZA BIELA 24X30X16.8 / BIG END BEARING	M01415001	1
13	ARANDELA ESTRIADA INTR. D.20 / WASHER	M01219000	1
14	TUERCA PIÑÓN CONTRAPESO / CRANK SHAFT PINIONNUT	M01220000	1
15	COJINETE CIGÜEÑAL 6205 ETN9/C4 / CRANKSHAFT BEARING	M012160021	1



N°	DESCRIPCION / DESCRIPTION	250 / 280 c.c.	Cant.
1	CTO. CIGÜEÑAL 250-270 TRIAL / CPT.CRANK SHAFT ASSEMBLY	MT27912000	1
2	COJINETE AGUJAS PIE BIELA 16X20X23 / SMALL END BEARING	M01411100	1
3	CONJUNTO BIELA 249-270 / CPT. CON ROD ASSEMBLY	MT27812100	1
4	CHAVETA PIÑÓN CONTRAPESO / COUNTERWEIGHT PINION KEY	M01223000	1
5	NYLON CONTRAPESO / NYLON COUNTERWEIGHT	MT32912021	2
6	TORNILLO CONICO 6X20 / 6X20 CONIC BOLT	T0406020	4
7	TORNILLO CONICO 6X16 / 6X16 CONIC BOLT	T0406016	2
8	CHAVETA VOLANTE / IGNITION KEY	M01224000	1
9	TUERCA VOLANTE / IGNITION NUT	M01222000	1
10	ARANDELA VOLANTE MAGNÉTICO / MAGNETIC GNITION WASHER	M01221000	1
11	RETEN CIGÜEÑAL 25-40-8 ASFP / CRANK SHAFT OIL SEAL	M01217001	2
12	COJINETE CIGÜEÑAL 6206 C3 / CRANK SHAFT BEARING	M01216001	2
13	COJINETE CABEZA BIELA 24X30X16.8 / BIG END BEARING	M01415001	1
14	BULON CIGÜEÑAL / CRANK SHAFT PIN	M01414001	1
15	ARANDELA ESTRIADA / PINION CRANK SHAFT WASHER	M01219000	1
16	TUERCA PIÑÓN CONTRAPESO / PINION CRANK SHAFT NUT	M01220000	1
17	COJINETE / BEARING	MT280012006	1

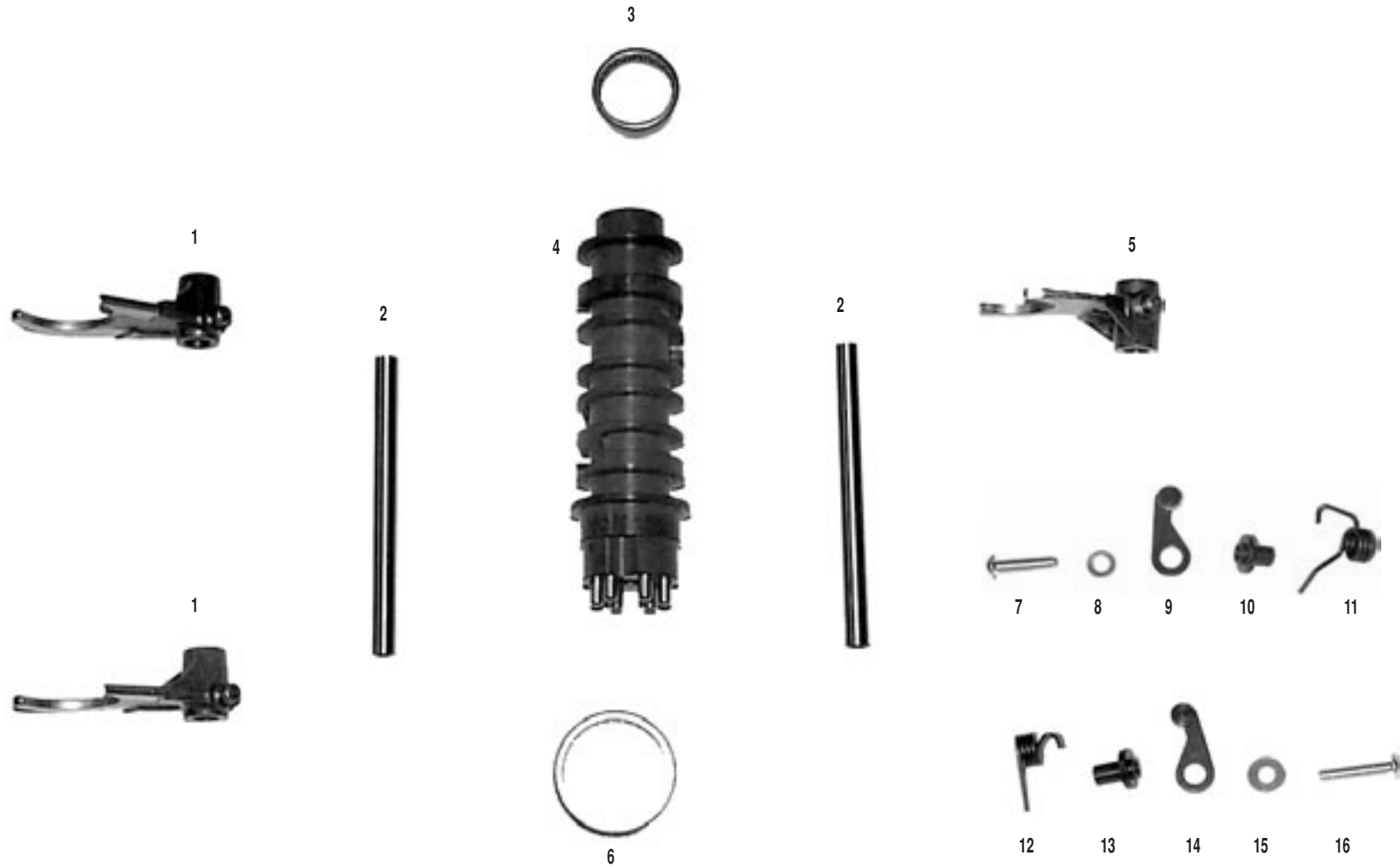


N°	DESCRIPCION / DESCRIPTION	125 / 250 / 280 c.c.	Cant.
1	PUNTERA PEDAL CAMBIO 5644010 / <i>PEDAL, END GEAR LEVER</i>	M03810050	1
2	REMACHE PUNTERA CAMBIO 6X18 / <i>RIVET PEDAL, END</i>	M03810010	1
3	MUELLE PUNTERA PEDAL CAMBIO / <i>PEDAL END GEAR LEVER SPRING</i>	M121000	1
4	MUELLE RETORNO SELECTOR / <i>COME BACK GEAR LEVER SPRING</i>	M03812000	1
5	CASQUILLO MUELLE SELECTOR / <i>SPRING GEAR LEVER PIVOT BUSH</i>	M03813000	1
6	ARANDELA CAMBIO 26X12.2X0.3 / <i>CHANGE WASHER</i>	M03810015	1
7	CTO. EJE SELECTOR / <i>CPT. GEAR LEVER AXLE</i>	M03811001	1
8	MUELLE PLATINA ESCORPIÓN / <i>SCORPION WORK TABLE SPRING</i>	M03817301	1
9	REMACHE PLATINA ESCORPIÓN / <i>SCORPION RIVET WORK TABLE</i>	M03811005	1
10	PLATINA ESCORPIÓN / <i>SCORPION WORK TABLE</i>	M03811100	1
11	HEXAGONAL 6X20 / <i>6X20 HEXAGONAL</i>	T0106020	1
12	ARANDELA PLANA 6X12X1,5 / <i>6X12X1,5 PLANE WASHER</i>	T4006012	1
13	PEDAL CAMBIO / <i>CHANGE PEDAL</i>	MT27936026	1
14	RETEN SELECTOR / <i>SELECTOR OIL SEAL</i>	M03821000	1

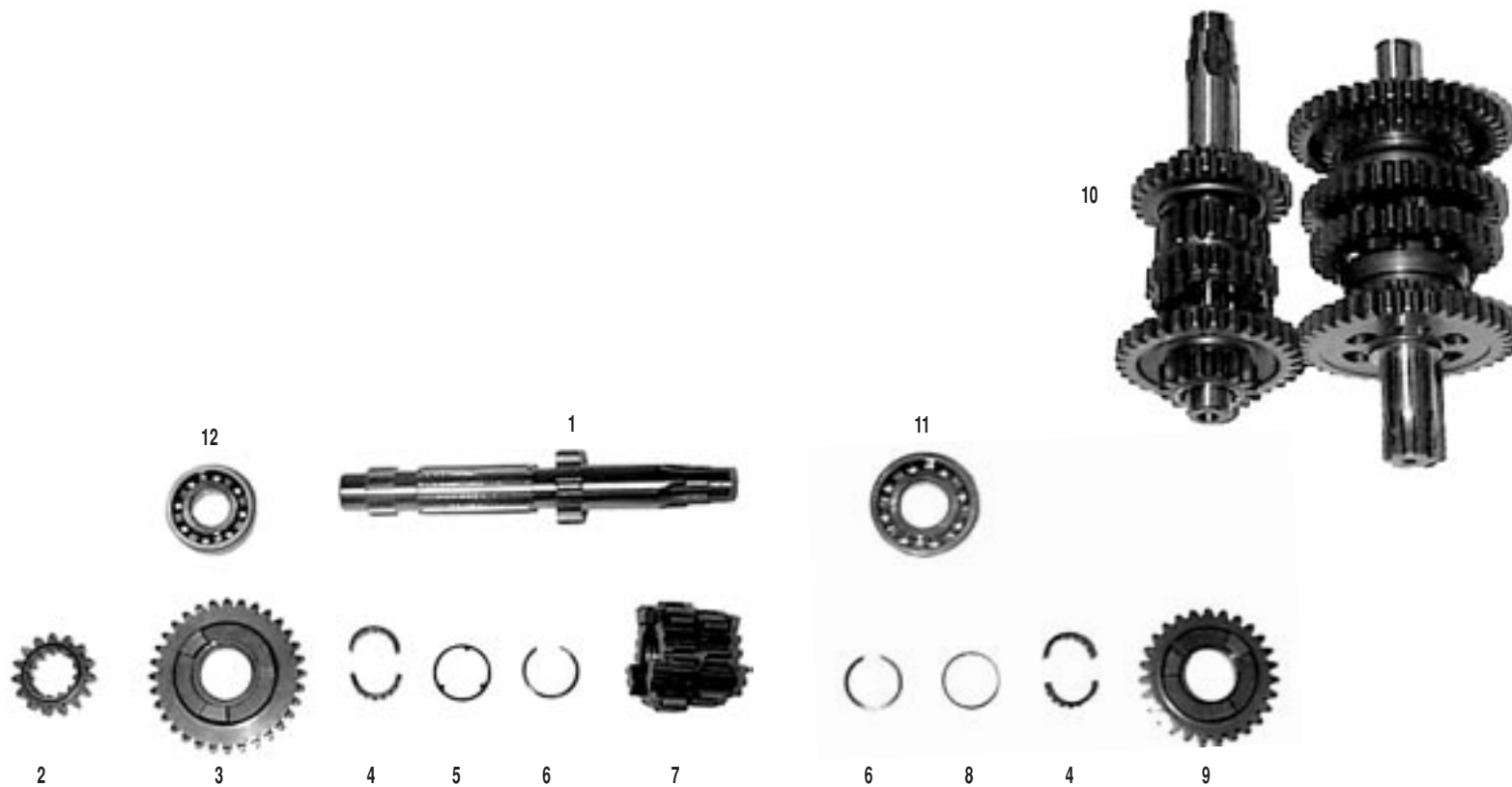
**Grupo selector
/ Shift cam**

GAS GAS

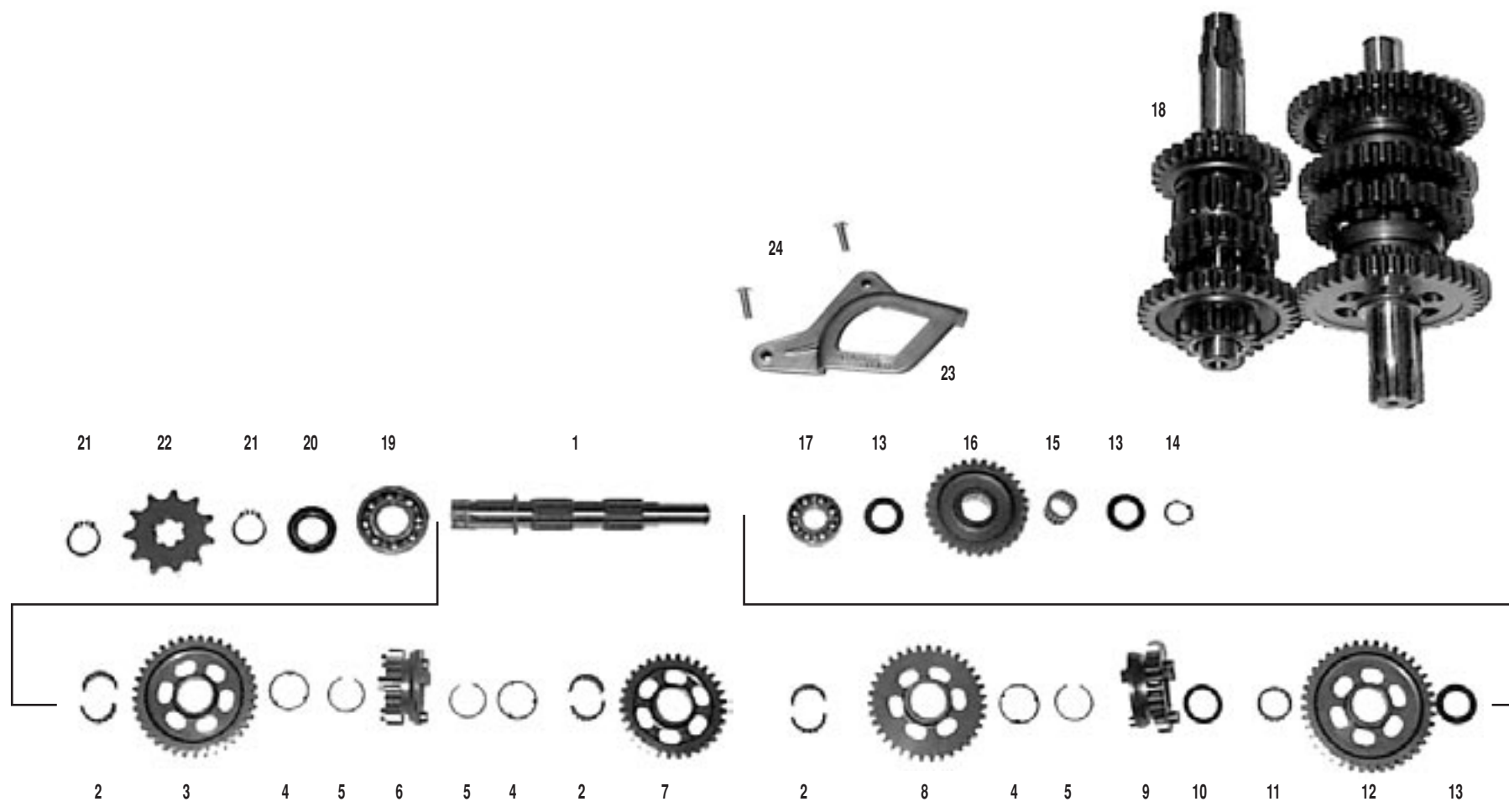
PAMPERA 2002



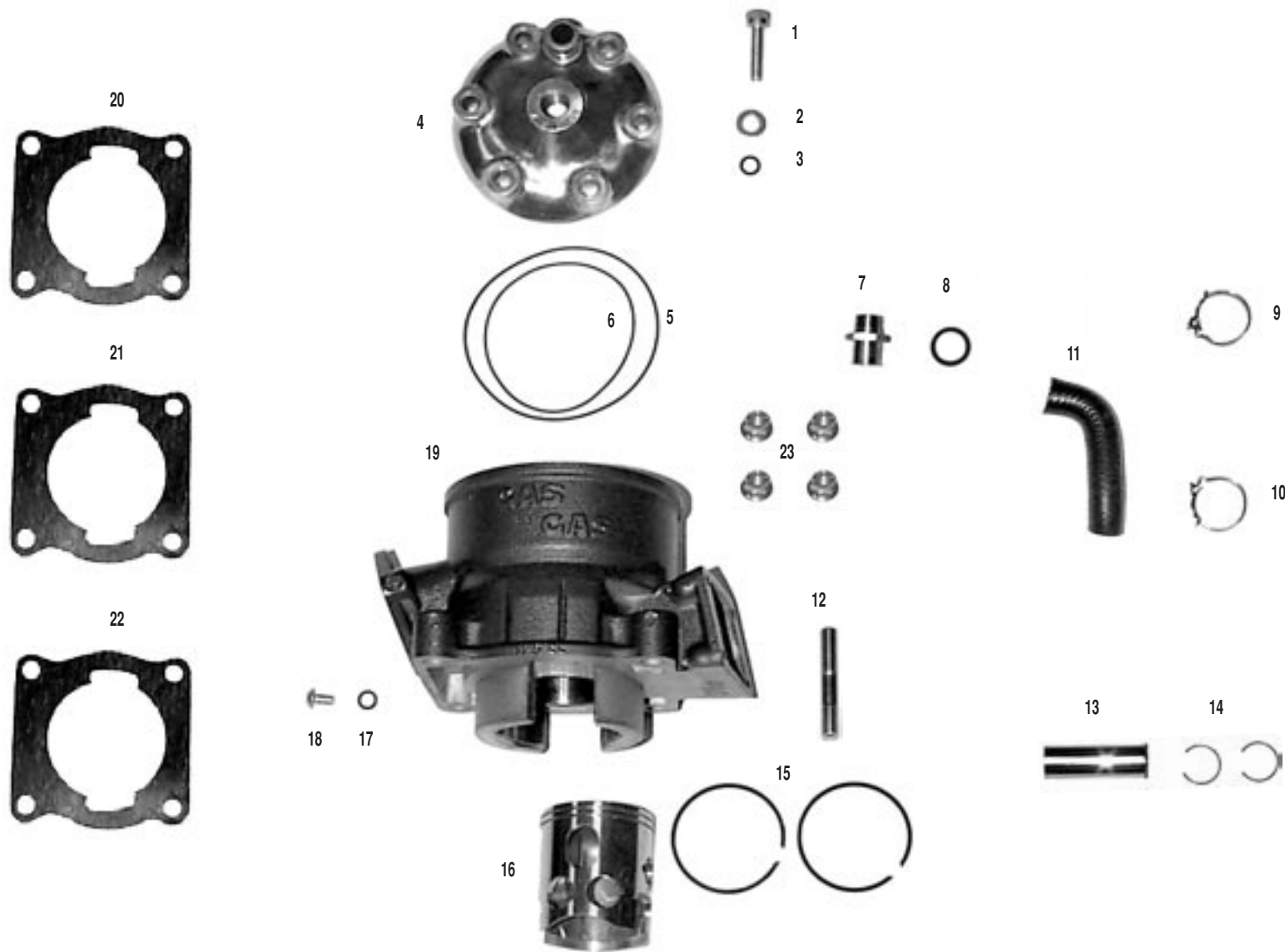
Nº	DESCRIPCION / DESCRIPTION	125 / 250 / 280 c.c.	Cant.
1	HORQUILLA 1-2-3-4 / <i>SELECTOR FORK</i>	M03639001	2
2	EJE HORQUILLA 107X10 / <i>SELECTOR FORK AXLE</i>	M03638001	2
3	COJINETE AGUJAS HK25-12 / <i>BEARING NEEDLES</i>	M03645000	1
4	DESMODROMICO / <i>SELECTOR BARREL</i>	M03637001	1
5	HORQUILLA 5-6 / <i>SELECTOR FORK</i>	M03640000	1
6	COJINETE AGUJAS HK 35-12 / <i>BEARING NEEDLES</i>	M03650000	1
7	ULS 6X25 / <i>6X25 ULS</i>	T0506025	1
8	ARANDELA PLANA 6X12X1.5 / <i>6X12X1.5 PLANE WASHER</i>	T4006012	1
9	CONJUNTO FIJADOR PUNTO MUERTO / <i>CPT. NEUTRAL FASTEN</i>	M03815110	1
10	CASQUILLO FIJADOR PUNTO MUERTO / <i>NEUTRAL FASTEN BUSHING</i>	M03818103	1
11	MUELLE FIJADOR PUNTO MUERTO / <i>NEUTRAL FASTEN SPRING</i>	M03817201	1
12	MUELLE FIJADOR DE MARCHAS / <i>FASTEN GEAR SPRING</i>	M03817100	1
13	CASQUILLO FIJADOR MARCHAS / <i>FASTEN GEAR BUSHING</i>	M03818104	1
14	CONJUNTO FIJADOR MARCHAS / <i>CPT. FASTEN GEAR</i>	M03815210	1
15	ARANDELA 6X18 / <i>6X18 WASHER</i>	T4006018	1
16	ULS 6X30 / <i>6X30 ULS</i>	T0506030	1



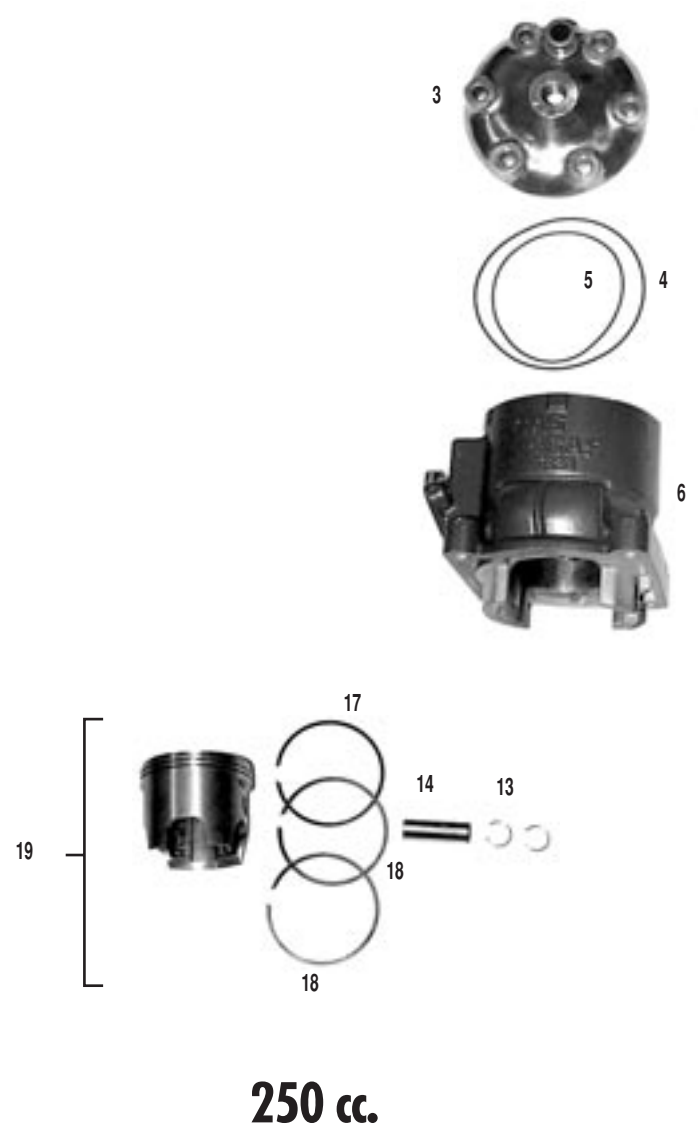
Nº	DESCRIPCION / DESCRIPTION	125 / 250 / 280 c.c.	Cant.
1	EJE PIÑÓN PRIMARIO / AXLE PRIMARY PINION	MT27836070	1
2	PIÑÓN 2ª PRIMARIO / PINION 2 ND PRIMARY	MT27836071	1
3	PIÑÓN 6ª PRIMARIO / PINION 6 TH PRIMARY	MT27836074	1
4	COJINETE AGUJAS 18X22X10 / BEARING NEEDLES 18X22X10	M03670000	2
5	ARANDELA SECUNDARIO 28X22X1 / WASHER SECUNDARY 28X22X1	MT27836091	1
6	CIRCLIP SECUNDARIO DE 22 MM. CAMBIO / CLIP SECUNDARY 22 MM.	MT27836084	2
7	PIÑÓN 3ª/4ª PRIMARIO / PINION 3 RD / 4 TH PRIMARY	MT27836072	1
8	ARANDELA CAMBIO 15X26X0.5 / WASHER GEAR 15X26X0.5	MT27836093	1
9	PIÑÓN 5ª PRIMARIO / PINION 5 TH PRIMARY	MT27836073	1
10	GRUPO CAMBIO / COMPLETE GEAR	MT27836000	1
11	COJINETE 20X47X14 (6204) / BEARING 20X47X4	M03610001	1
12	COJINETE 17X40X12 (6203) / BEARING 17X40X12	M03620000	1



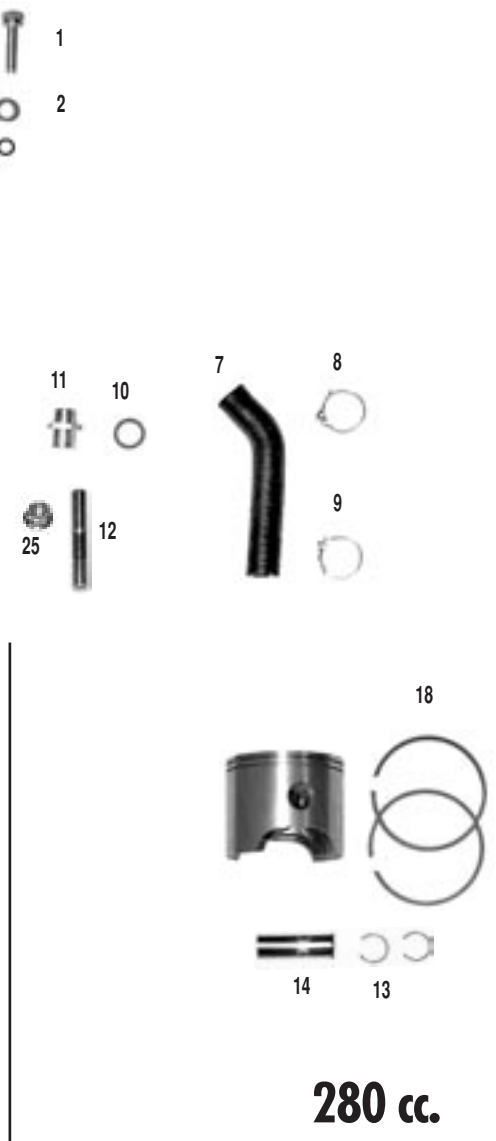
Nº	DESCRIPCION / DESCRIPTION	125 c.c.	250 / 280 c.c.	Cant.
1	EJE SECUNDARIO / SECONDARY AXLE		MT27836075	1
2	COJINETE AGUJAS 18X22X10 / 18X22X10 BEARING NEEDLES		M03670000	3
3	PIÑÓN SECUNDARIO DE 2ª / SECONDARY PINION 2 ND		MT27836077	1
4	ARANDELA SECUNDARIA / 28X22X1 SECONDARY WASHER		MT27836091	3
5	CIRCLIP SECUNDARIO DE 22 mm. CAMBIO / SECONDARYCLIP 22 mm.		MT27836084	3
6	PIÑÓN 6ª SECUNDARIO / SECONDARY PINION 6 TH		MT27836081	1
7	PIÑÓN 4ª SECUNDARIO / SECONDARY PINION 4 TH		MT27836079	1
8	PIÑÓN 3ª SECUNDARIO / SECONDARY PINION 3 RD		MT27836078	1
9	PIÑÓN 5ª SECUNDARIO / SECONDARY PINION 5 TH		MT27836080	1
10	ARANDELA PIÑÓN INTERIOR 17X26X0.5 / WASHER INTERIOR PINION		MT27836093	1
11	COJINETE AGUJAS 17X21X10 / BEARING NEEDLES 17X21X10		M03660000	1
12	PIÑÓN 1ª SECUNDARIO / SECONDARY PINION 1 ST		MT27836076	1
13	ARANDELA PIÑÓN INTERIOR 15X26X0.5 / PINION INTERIOR WASHER		M02622001/2	3
14	CLIP DE 15MM PIÑÓN INTERIOR ARRANQUE / PINION CLIP 15 MM.		M02623000	1
15	COJINETE PIÑÓN INTERIOR ARRANQUE K-15-19-17 / BEARING INTERIOR PINION		M02621001	1
16	PIÑÓN INTERIOR ARRANQUE / INTERIOR PINION		M02620003	1
17	COJINETE 15X35X11 (6202) / 15X35X11 BEARING		M03621000	1
18	GRUPO CAMBIO / COMPLETE GEAR		MT27836000	1
19	COJINETE 20X47X14 (6204) / 20X47X14 BEARING		M03610001	1
20	RETEN SALIDA 20-32-7 827S / OIL SEAL EXTERNAL 20-32-7 827S		M03633000	1
21	CLIP DE 20 PIÑÓN SALIDA / PINION CLIP 20		MT27836052	2
22	PIÑÓN SALIDA / OUT PINION	M03634002	M03634000	1
23	PROTECTOR PIÑÓN SALIDA / OUTPUT PINION PROTECTOR		MT280136021	1
24	ULS 5X16 / 5X16 ULS		T0505016	2



Nº	DESCRIPCION / DESCRIPTION	125 c.c.	Cant.
1	ALLEN 8X30 / SCREW , BOLT ALLEN 8X30	T0308030	6
2	ARANDELA PLANA 8X17X1.5 / WASHER PLANE 8X17X1.5	T4008017	6
3	TORICA 7X2 / O'RING 7X2	M01612010	6
4	CULATA TRIAL 98 / CYL. HEAD	MT12716000	1
5	TORICA CULATA /O'RING CYL. EXT.	M01619135	1
6	TORICA CULATA INTERIOR / O'RING CYL. INT.	M01619130	1
7	RACORD CILINDRO / RACCORD CYLINDER	M01612021	1
8	ARANDELA FIBRA 15X20X2 RACORD / WASHER FIBRE 15X20X2	M01612026	1
9	ABRAZADERA COBRE DE 19 / COPPER CLAMP 19	L200043	1
10	ABRAZADERA COBRE-20/ COPPER CLAMP 20	L200035	1
11	TUBO AGUA CURVADO / CURVER WATER TUBE	L200008	1
12	ESPÁRRAGO CILINDRO / STUD CYLINDER	M01612005	4
13	BULON PISTÓN / PIN. PISTON	M01419002	1
14	CLIP PISTÓN / CLIP PISTON	M01417052	2
15	ARO TIPO PLANO / PISTON RING PLAN	M01417003	2
16	CONJUNTO PISTÓN / CPT. PISTON	M01410003	1
17	ARANDELA FIBRA 6X10X1.5/ WASHER FIBER 6X10X1.5	T4006010	1
18	ULS 6X10 / SCREW, BOLT ULS 6X10	T0506010	1
19	CILINDRO / CYLINDER	MT120016022	1
20	JUNTA CILINDRO 0.3 MM. / GASKET CYLINDER	M04411003	1
21	JUNTA CILINDRO 0.5 MM. / GASKET CYLINDER	MT20844000	1
22	JUNTA CILINDRO 1 MM. / GASKET CYLINDER	MT20844010	1
23	TUERCA CILINDRO M10/150 / CYLINDER NUT M10/150	M01613001	4



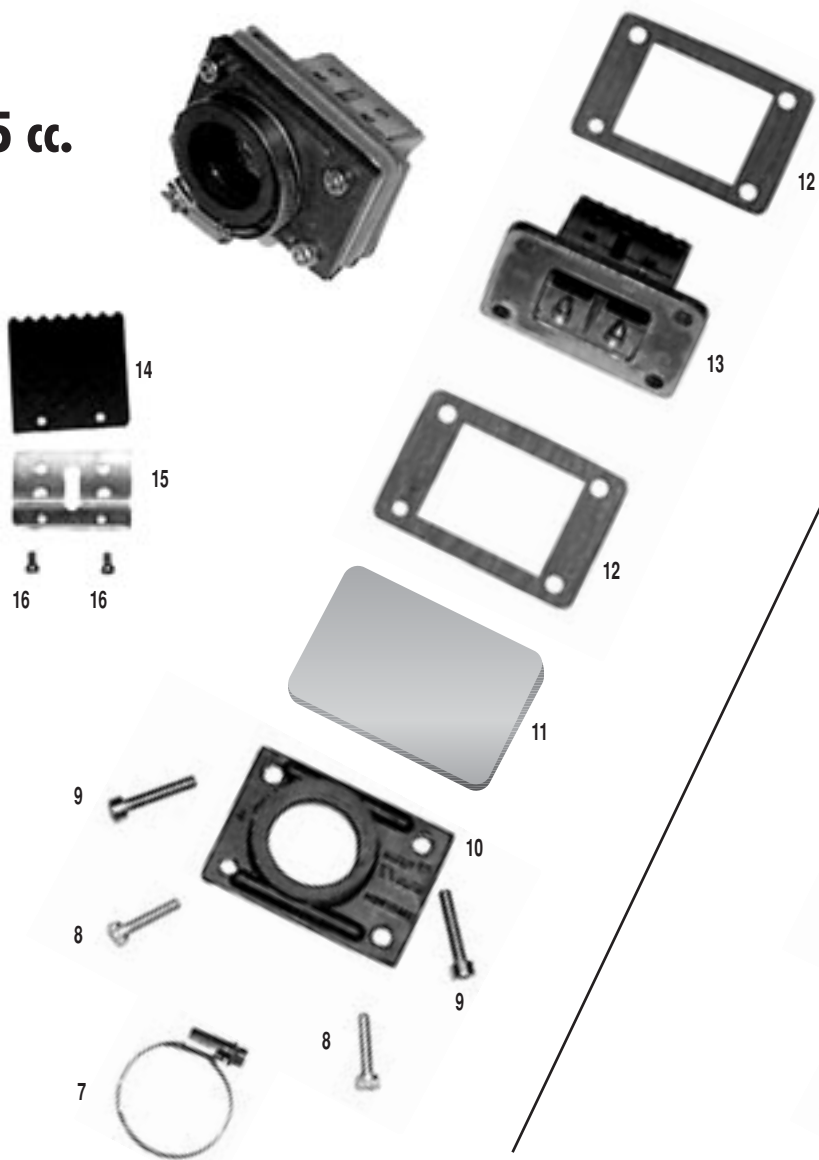
250 cc.



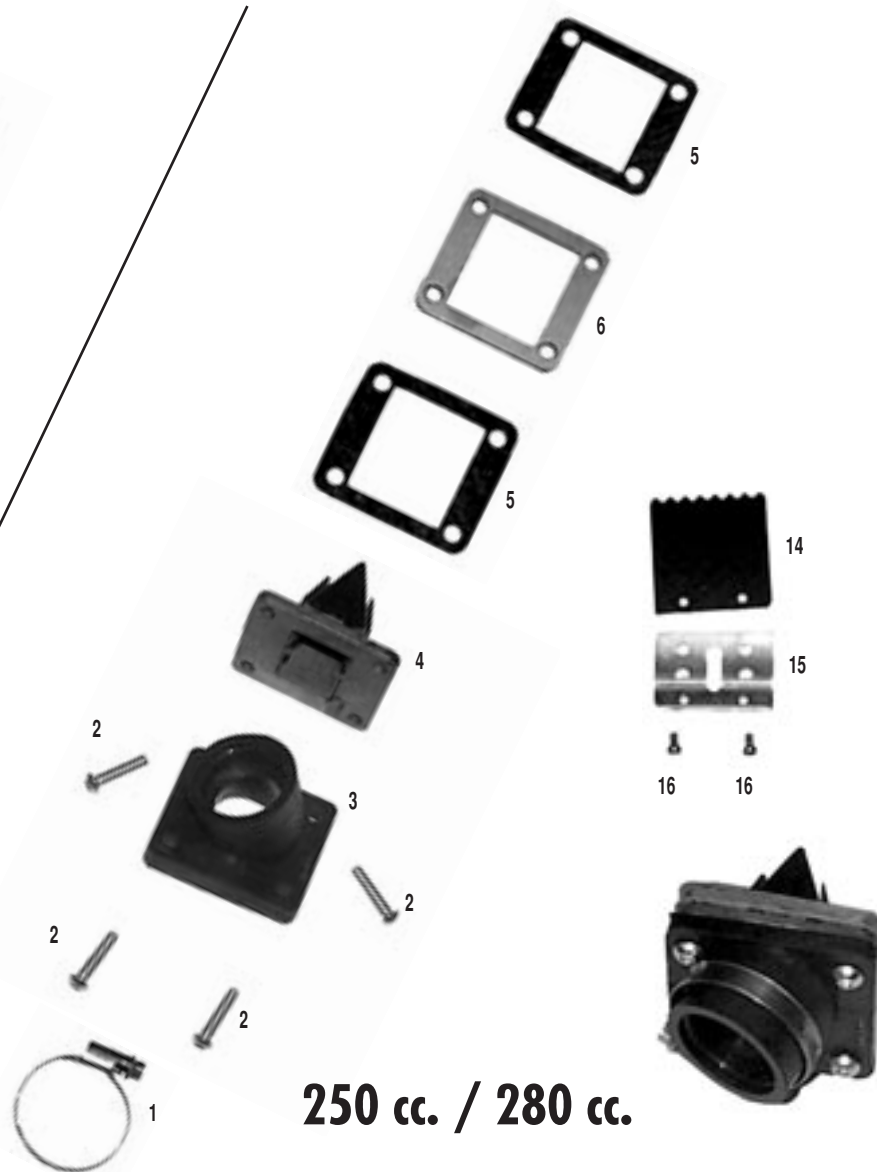
280 cc.

N°	DESCRIPCION / DESCRIPTION	250 c.c.	280 c.c.	Cant.
1	ALLEN 6X25 / SCREW, BOLT ALLEN 6X25		T0306025	6
2	ARANDELA 6X10X1,5 COBRE / 6X10X1,5 CUPRUM WASHER		ME25916002	6
3	CULATA TRIAL / CYL. HEAD	MT250116000	MT280116000	1
4	TORICA CULATA / O'RING CYL. EXT.		MT27816060	1
5	TORICA CULATA INTERIOR / O'RING CYL. INT.		M01619215	1
6	CILINDRO / CYLINDER	MT250016022	MT280016022	1
7	TUBO BOMBA AGUA A CILINDRO / WATER PUMP TO CYLINDER TUBE		BT280232017	1
8	ABRAZADERA COBRE DE 19 / CLAMP, CLIP		L200043	1
9	ABRAZADERA COBRE DE 20 / CLAMP, CLIP		L200035	1
10	ARANDELA FIBRA 14X20X2 RACORD / WASHER FIBRE		M01612026	1
11	RACORD CILINDRO / RACORD CYLINDER		M01612021	1
12	ESPÁRRAGO CILINDRO LARGO / STUD, BOLT CYLINDER		M01612003	4
13	CLIP PISTÓN / CLIP PISTON	M01417051	MT280016126	2
14	BULON PISTÓN / PIN. PISTON	M01419001	MT280016125	1
17	ARO PISTÓN TIPO L / PISTON RING TIPE L	MT25916240		1
18	ARO PISTÓN TIPO PLANO / PISTON RING PLANE	MT25916241	MT280016241	2
19	CONJUNTO PISTÓN* / CPT. PISTON*	MT25916020	MT280016020	1
20	JUNTA CILINDRO 0.1 MM. / GASKET CYLINDER		MT27844010	1
21	JUNTA CILINDRO 0.3 MM. / GASKET CYLINDER		MT27844009	1
22	JUNTA CILINDRO 0.5 MM. / GASKET CYLINDER		MT27844000	1
25	TUERCA CILINDRO M10/150 / CYLINDER NUT		M01613001	4
	* PISTÓN TIPO B / B TYPE PISTON		MT280016121	1
	* PISTÓN TIPO C / C TYPE PISTON		MT280016122	1
	* PISTÓN TIPO D / D TYPE PISTON		MT280016123	1

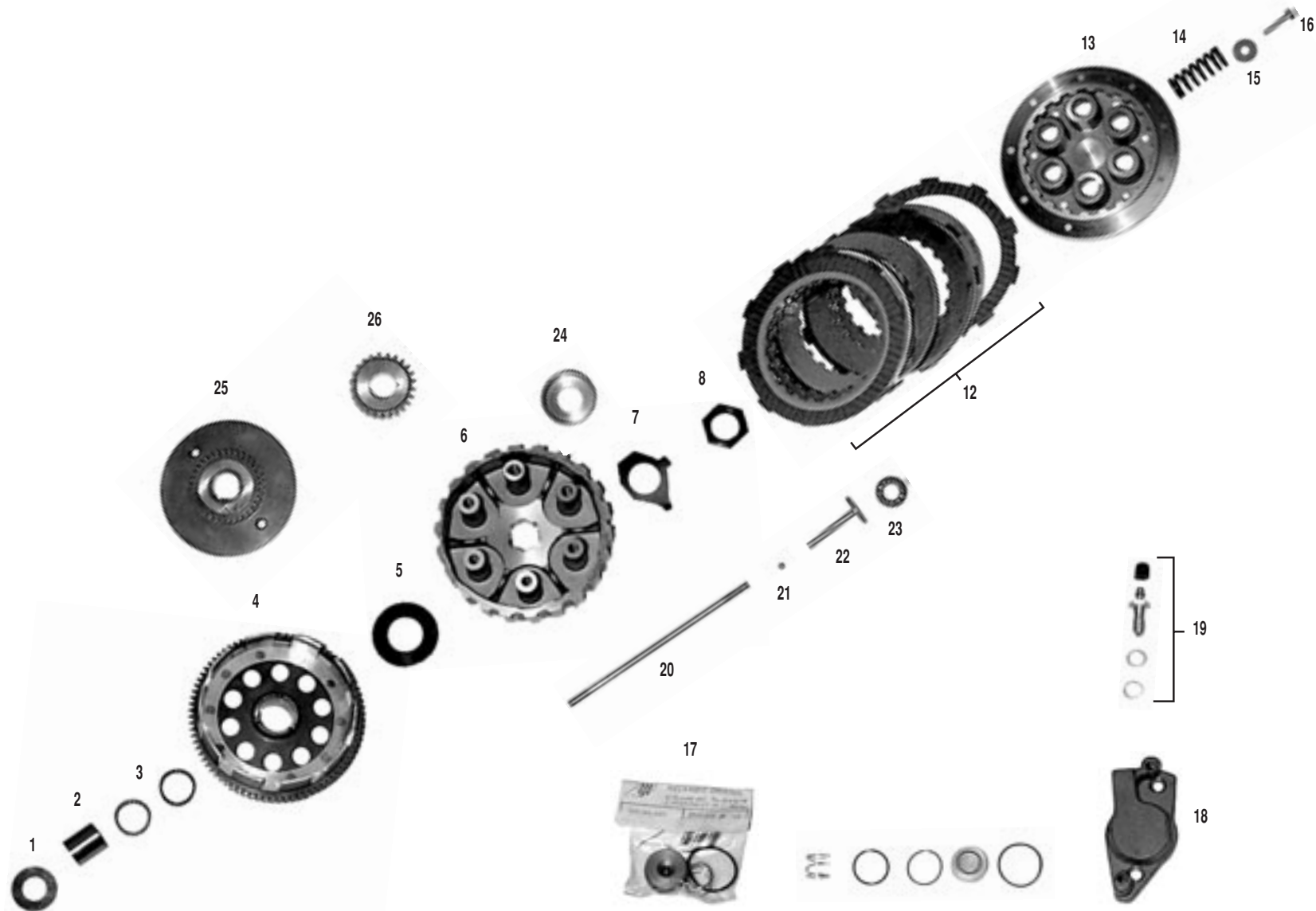
125 cc.



250 cc. / 280 cc.



Nº	DESCRIPCION / DESCRIPTION	125 c.c.	250 / 280 c.c.	Cant.
1	ABRAZADERA 30-45 / CLAMP 30-45		B640005	1
2	ULS 6X25 / SCREW, BOLT ULS 6X25		T0506025	4
3	TUBERA ADMISIÓN / INLET MANIFOLD		M01615004	1
4	CAJA DE LÁMINAS / REED BLOCK ASSEMBLY		M01617200	1
5	JUNTAS TUBERA / GASKET INLET MANIFOLD		M04416003	2
6	DISTAN. CAJA LÁM. 249-270-321/ DISTAN. REED BOLCK ASSY.		M01614005	1
7	ABRAZADERA 24-40 / CLAMP 24-40	B640001		1
8	ALLEN 5X20 / SCREW, BOLT ALLEN 5X20	T0305020		2
9	ALLEN 5X25 / SCREW, BOLT ALLEN 5X25	T0305025		2
10	TUBERA ADMISIÓN 125-200 / INLET MANIFOLD	M01615003		1
11	DISTAN. CAJA LÁM. 125-200 / DISTAN REED BLOCK ASSY. 125-200	M01618000		1
12	JUNTAS TUBERA 125-200 / GASKET INLET MANIFOLD 125-200	M04416002		1
13	CAJA DE LÁMINAS 125-200 / REED BLOCK ASSEMBLY 125-200	M01617000		2
14	JUEGO DE LÁMINAS / REEDS SET		M01616000	1
15	TOPES LÁMINAS / REV PLATE REEDS PETAL		M01616010	2
16	TORNILLO PHILIPS LÁMINAS M4X8 / SCREW, BOLT PHILIPS REEDS		T0604008	4

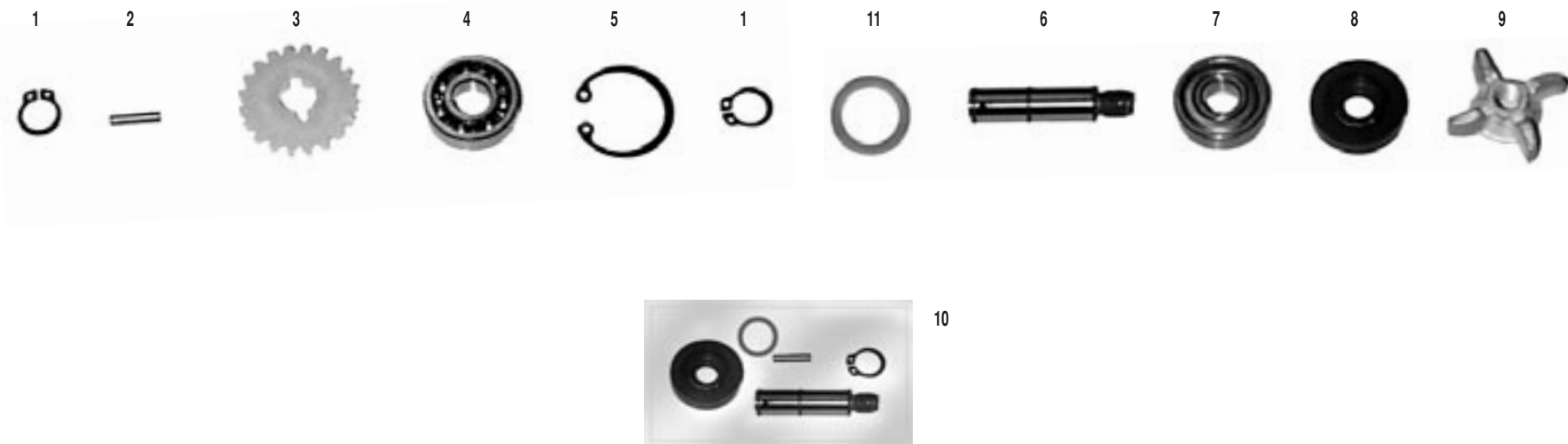


N°	DESCRIPCION / DESCRIPTION	125 / 250 / 280 c.c.	Cant.
1	ARANDELA 20.15X38X3.25 / WASHER COVER	M03226000	1
2	CASQUILLO EMBRAGUE 20X26X28.6 / PIVOT, BUSH CLUTCH	M03224000	1
3	COJINETE AGUJAS K26-30-13 / BEARING NEEDLES	M03225000	2
4	CORONA EMBRAGUE / HELICAL GEAR SET ASSY	M03210002	1
5	ARANDELA INTERMEDIO 17.5X34X1 / WASHER INTERMEDIATE	M03223000	1
6	CUBO EMBRAGUE 98 / HUB, CLUTCH	MT27832005	1
7	ARANDELA FIJACIÓN CUBO / WASHER LOCK HUB	M03222001	1
8	TUERCA FIJACIÓN CUBO BAL. PIÑÓN / NUT FIJ. HUB BAL. PINION	M03221000	1
12	CTO.DISCOS EMBRAGUE 98 / CPT. CLUTCH DISK	MT27732050	1
13	PLATO EMBRAGUE 98 / CLUTCH PLATE	MT27832006	1
14	MUELLE EMBRAGUE / CLUTCH SPRING	M03216002	6
15	ARANDELA MUELLE EMB. 17X5X1.5 / WASHER CLUTCH SPRING	M03218001	6
16	HEXAGONAL 5X20 (12.9) DIN 933 / HEXAGONAL	T0105020	6
17	KIT PINZA EMBRAGUE HIDR. / KIT CALIPER CLUTCH HYDRAULIC	M01059000	1
18	PINZA EMBRAGUE HIDRÁULICO / CALIPER CLUTCH HYDRAULIC	M01050000	1
19	RACORD PINZA EMBRAGUE HIDRAU. / BLEED SCREW, UNION BOLT	M01060000	1
20	VARILLA EMBRAGUE HIDRÁULICO / PUSH ROD CLUTCH HYDRAULIC	M03228002	1
21	BOLA VARILLA EMBRAGUE 5MM / BALL BEARIND CLUTCH	M03235001	1
22	BOLET VARILLA EMBRAGUE / MUSHROOM ADJUSTER CLUTCH	M03233000	1
23	COJ.PRENSA EMBRAGUE AX1022 / BEARING CLUTCH END PLATE	M03234001	1
24	CASQ. CENT. PRENSA EMBR. / BUSHING CENTRALIZE CLUTCH PRESS	MT27832052	1
25	PIÑÓN CONTRAPESO / COUNTERWEIGHT PINION	M03210000	1
26	PIÑÓN TRANSMISIÓN PRIMARIA / TRANSMISSION PRIMARY PINION	M03210001	1

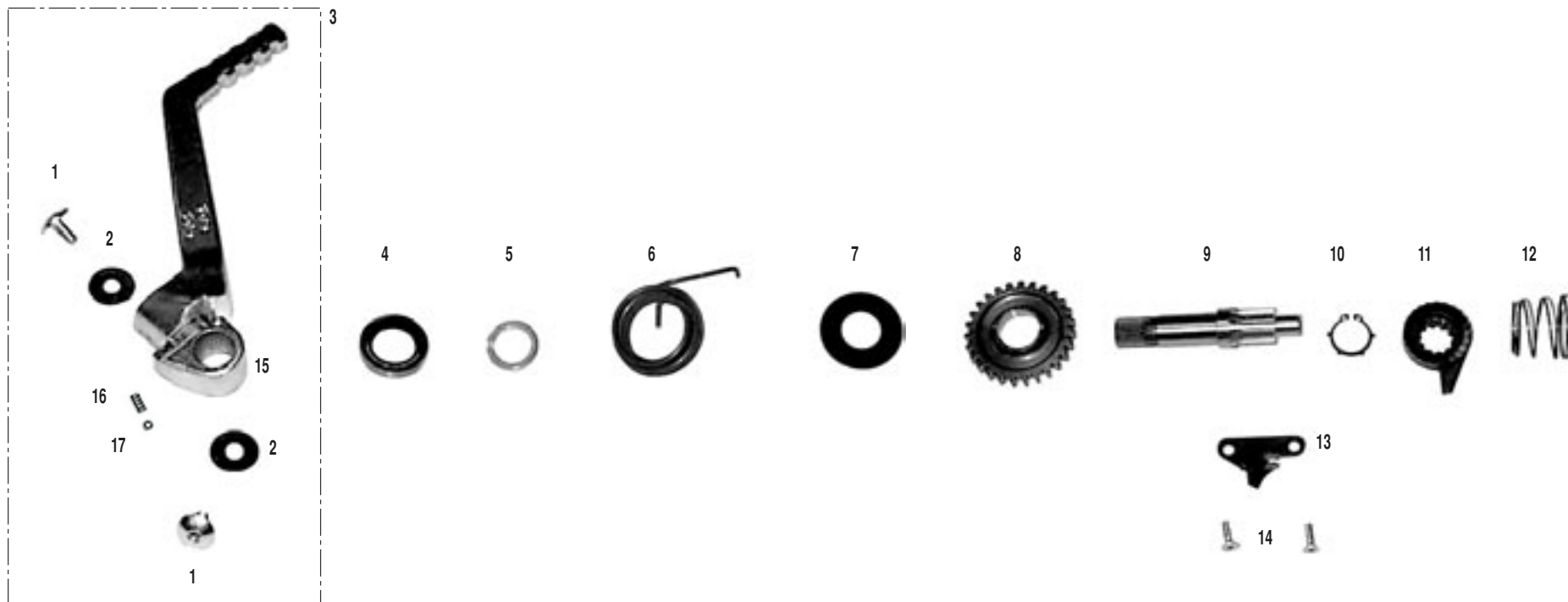
**Conjunto bomba
/ Water pump set**

GASGAS

PAMPERA 2002



N°	DESCRIPCION / DESCRIPTION	125 / 250 / 280 c.c.	Cant.
1	SEEGER DE 10 EJE BOMBA / SPINDLE PUMP, SEEGER 10	M03314011	2
2	RODILLO 3X14 BOMBA AGUA/ PUMP WATER ROLLER 3X14	MT27710036	1
3	PIÑÓN MANDO BOMBA AGUA / CONTROL PINION WATER	M01230000	1
4	COJINETES TURBINA 6000 C3 BOM. / TURBINE BEARING 6000 C3	M03313000	1
5	SEEGER INT. 26 GRU.TOPE COJINETES / INT. SEEGER 26	M03314012	1
6	EJE TURBINA 98 / AXLE TURBINE 98	MT27910006	1
7	COJIN. 6000 Z C3 BOMB. AGUA / BEARING WATER PUMP	M03313001	1
8	RETEN 12*26*7ª DUO FPM VITON / WATER PUMP SEAL	MT27910020	1
9	TURBINA / TURBINE	M03310000	1
10	KIT EJE TURBINA DEL 90-97 / TURBINE AXLE KIT FROM 90-97	MT280010106	1
11	ARANDELA DISTANCIADOR EJE TURBINA / TURBINE AXLE SPACER WASHER	MT27910027	1

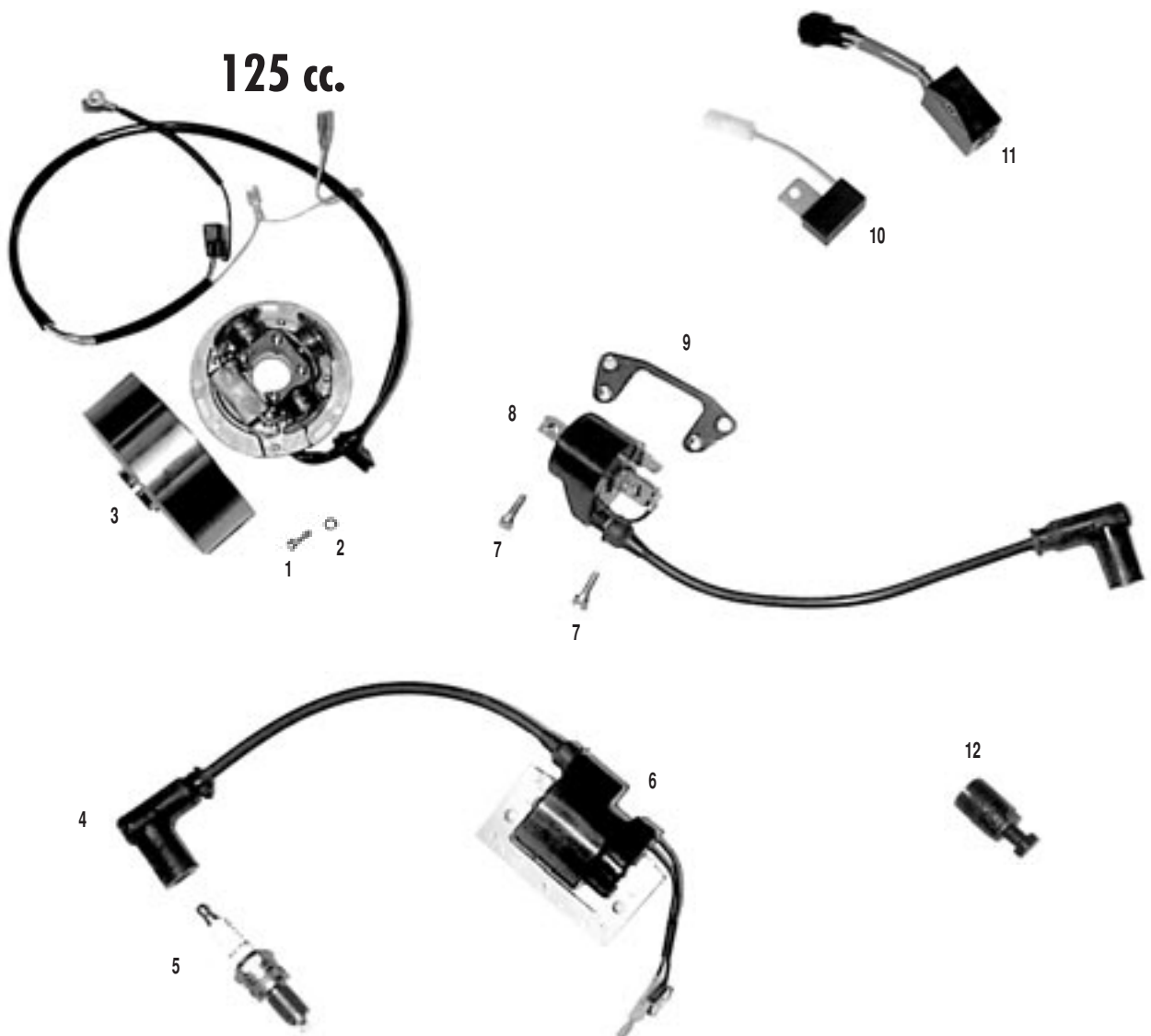


Nº	DESCRIPCION / DESCRIPTION	125 c.c.	250 / 280 c.c.	Cant.
1	TORNILLO 6X12 CABOTA TORK / SPECIAL ALLEN		T0316012	2
2	ARANDELA 6X20X1.5 DIN 9021 / 6X20X1.5 PLANE WASHER		T4006020	2
3	CTO. PEDAL ARRANQUE ALUM.Y MUÑ. / CPT. KICKSTART PEDAL		ME250036060	1
4	RETEN ARRANQUE 18-28-7 822N / OIL SEAL KICKSTART		M02627001	1
5	TOPE ALUMINIO ARRAN. / TOP ALUMINIUM KICKSTART		M02612002	1
6	MUELLE RETORNO PEDAL / PEDAL COME BACK SPRING	M02613001	MT27836007	1
7	ARANDELA ARRANQUE 46X18.6X1 / 46X18.6X1 KICKSTART WASHER		M02614002	1
8	PIÑÓN ARRANQUE / KICKSTART PINION		MT27836002	1
9	EJE ARRANQUE 98 / KICKSTART AXLE		MT27836003	1
10	SEEGER E20 DIN983 / SEEGER E20		MT27836052	1
11	TRINQUETE ARRANQUE / KICKSTART PAWL		ME250126004	1
12	MUELLE TRINQUETE ARRANQUE / KICKSTART PAWL SPRING		ME25636006	1
13	PLATINA TRINQ. ARRANQUE 98 / KICKSTART PAWL WORKTABLE		MT27836005	1
14	ALLEN CÓNICO 5X15 / 5X15 CONIC ALLEN BOLT		T0405015	2
15	MUÑEQUILLA PEDAL ARRANQUE / KICKSTART BASE TRUNNION		ME250036061	1
16	MUELLE MUÑEQUILLA / KICKSTART BASE SPRING		ME250036066	1
17	BOLA MUÑEQUILLA / KICKSTART BASE BALL		ME250036062	1

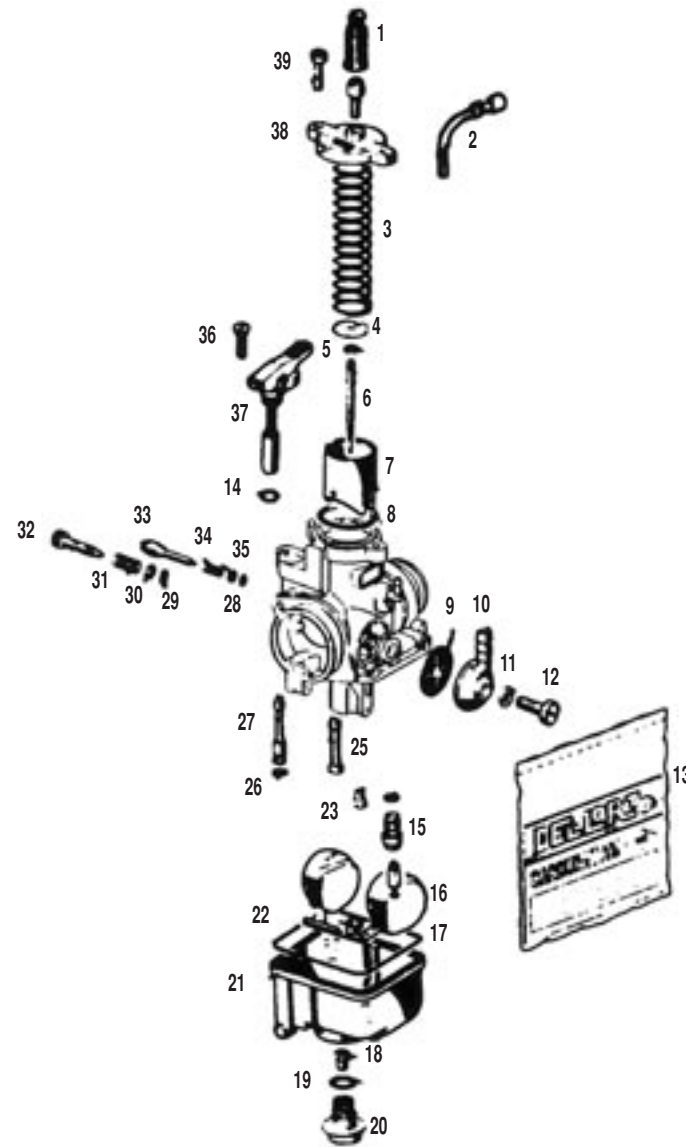
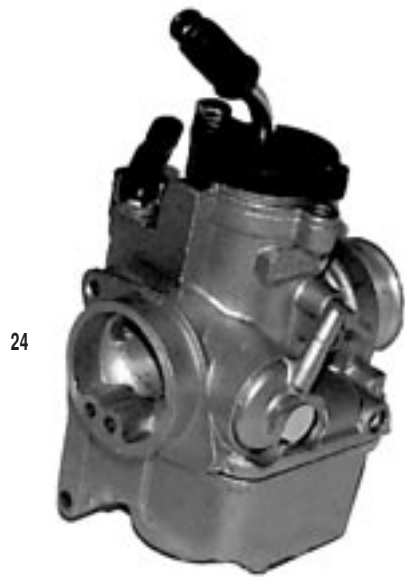
250 cc. / 280 cc.



125 cc.



N°	DESCRIPCION / DESCRIPTION	125 / 250 c.c.	280 c.c.	Cant.
1	ALLEN 5X15 8.8 / SCREW, BOLT ALLEN		T0305015	3
2	ARANDELA 5X10X1 DIN 125 / WASHER 5X10X1		T4005010	3
3	VOLANTE ENCENDIDO / IGNITION COMP.	M02810120	M02810110	1
4	PIPA DE BUJÍA / CAP. SPARK PLUG		BT27934000	1
5	BUJÍA NGK BPR5 ES / SPARK PLUG		M04012000	1
6	BOBINA 270-321/ IGNITION COIL 270-321		MT27834006	1
7	ALLEN 6X14 / SCREW, BOLT ALLEN	T0306014		2
8	BOBINA 125-200-249/ IGNITION COIL 125-200-249	M02812110		1
9	SOP.BOBINA / IGNITION COIL SUPPORT	BT20934026		1
10	REG. ALTERNADOR 415 C / ALTERNATOR REGULATOR		L300031	1
11	CDI / CDI		M02812103	1
12	EXTRACTOR VOLANTE MAG. / EXTRACTOR IGNITION MAG.		M04015001	1



Nº	DESCRIPCION / DESCRIPTION	125 c.c.	250 c.c.	280 c.c.	Cant.
1	CAPUCHÓN TENSOR GAS / ADJUSTER TENSION CABLE GAS			M09001055	1
2	TENSOR CABLE GAS / TENSIONER CABLE GAS			M09001032	1
3	MUELLE COMPUERTA / SPRING SLIDE, VALVE			M09001015	1
4	PLANCHA SUJECIÓN CABLE GAS / PLATE SUBJECTION			M09001010	1
5	CLIP AGUJA / CLIP. NEEDLE			M09001020	1
6	AGUJA D36 3º PUNTO / NEEDLE D36			M09003136	1
7	COMPUERTA D-60 / SLIDE, VALVE D-60	M09002050		M09002060	1
8	TÓRICA TAPA CARBURADOR / O'RING COVER CARBURETTOR			M09001050	1
9	JUNTA PIPETA GASOLINA / PIPETTE FUEL SEAL			M09001095	1
10	PIPETA ENTRADA GASOLINA / PIPETTE ENTRY FUEL			M09001135	1
11	JUNTA TORNILLO PIPETA / GASKET SCREW, BOLT PIPETTE			M09001100	1
12	TORNILLO PIPETA / SCREW, BOLT PIPETTE			M09001140	1
13	KIT JUNTAS CARBURADOR / KIT GASKET CARBURETTOR			M09001101	1
14	TÓRICAS STARTER / O'RINGS STARTER			M09001065	1
15	VÁLVULA FLOTADOR / FLOAT VALVE			M09001200	1
16	FLOTADOR 2X2, 8GR. / FLOAT 2X2, 8GR.			M09008036	2
17	EJE FLOTADOR / FLOAT AXLE			M09001145	1
18	CHICLE PRINCIPAL 118 / MAIN JET	M09006116	M09006118	M09006120	1
19	TÓRICA TAPÓN CUBETA / O'RING COVER DISH			M09001090	1
20	TAPÓN CUBETA GASOLINA / COVER DISH FUEL			M09001155	1
21	CUBETA GASOLINA / FUEL DISH			M09001150	1
22	TÓRICA CUBETA GASOLINA / O'RING FUEL DISH			M09001085	1
23	CHICLE RALENTÍ 30 / JET, SLOW 30	M09004036	M09004030	M09004031	1
24	CARBURADOR PHBL 26 / CARBURETTOR PHBL 26	MT20990000	MT25990000	MT28009000	1
25	EMULSOR / NEEDLE JET	M09005268		M09005271	1
26	TÓRICA CHICLE STARTER / O'RING JET STARTER			M09001070	1
27	CHICLE STARTER 60 / JET STARTER 60			M09007060	1

GAS GAS

OCTUBRE 2002



PU010238025

GAS GAS MOTOS, S.A.

CIF: ES/A-17070921

C/ UNICEF nº 17 · Poligon Industrial Torremirona · 17190 Salt (Girona) SPAIN · Tel: +34 902 47 62 54 Fax: +34 902 47 61 60

E-mail: officegg@gasgasmotos.es / partsgg@gasgasmotos.es · Web: www.gasgasmotos.es