

**DESPIECE  
PART LIST**

**ENDUCROSS  
EC/MC/SM**

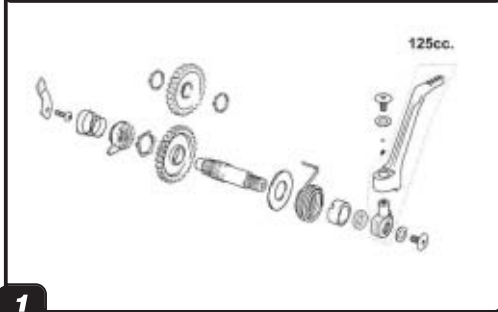
**125  
200  
250  
300**

**2007**

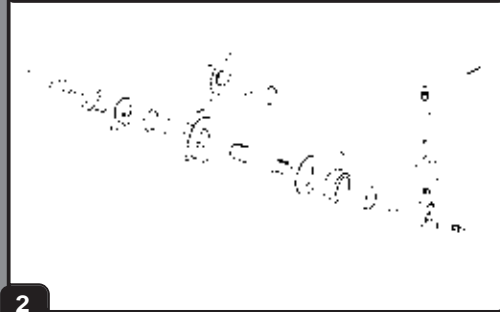
**FRASGAS**

# MOTOR

Conj. pedal arranque / Kickstart set **GAS GAS** EC/MC/SM 2006



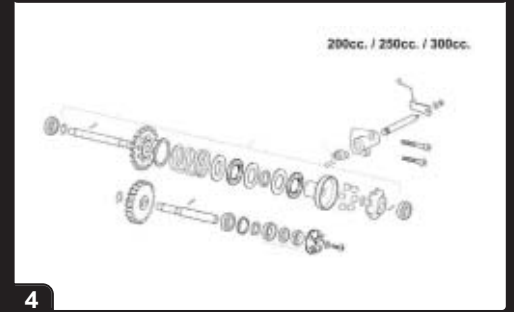
Conj. pedal arranque / Kickstart set **GAS GAS** EC/MC/SM 2006



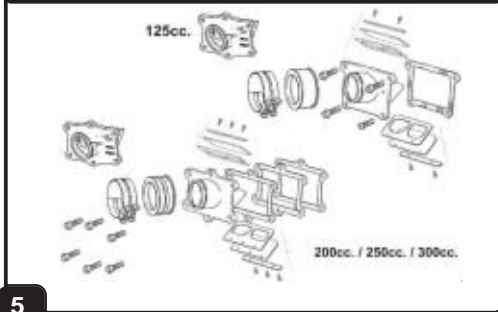
Centrifugo - Bomba / Impeller - Water pump **GAS GAS** EC/MC/SM 2006



Centrifugo - Bomba / Impeller - Water pump **GAS GAS** EC/MC/SM 2006



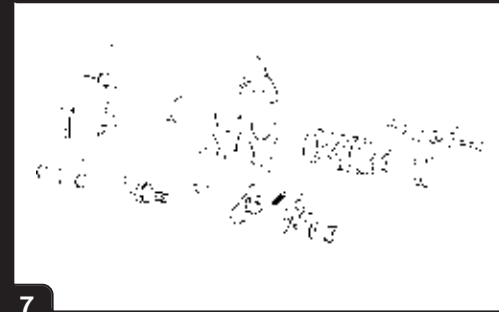
Gaja láminas / Reed valve **GAS GAS** EC/MC/SM 2006



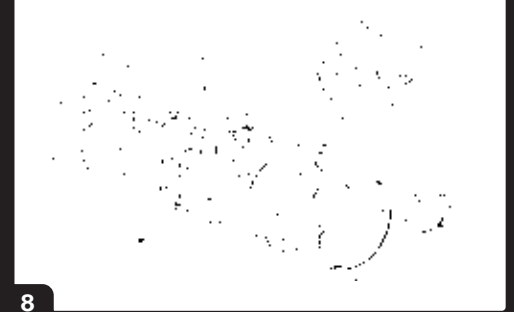
Selector cambio / Shift cam **GAS GAS** EC/MC/SM 2006



Selector cambio / Shift cam **GAS GAS** EC/MC/SM 2006



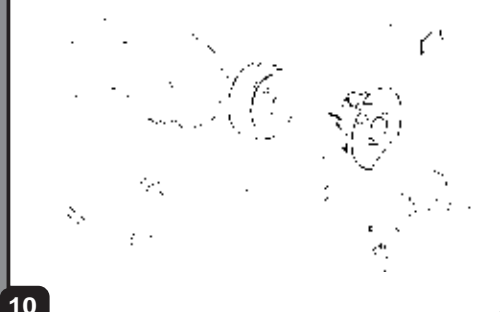
Cárter / Crankcase **GAS GAS** EC/MC/SM 2006



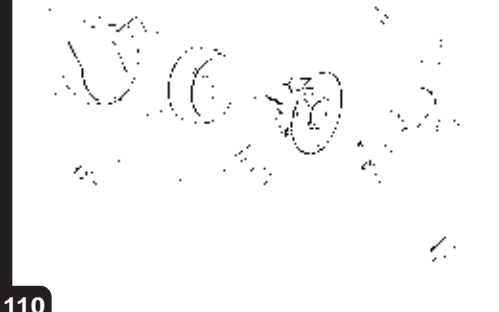
Cárter / Crankcase **GAS GAS** EC/MC/SM 2006



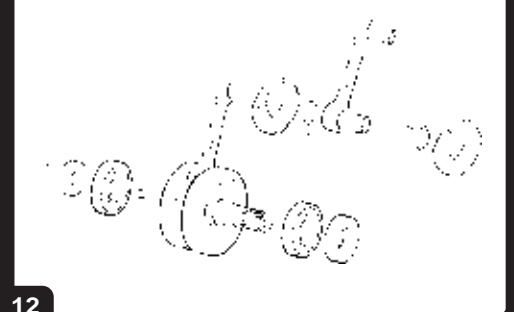
Encendido / Ignition **GAS GAS** EC/MC/SM 2006



Encendido / Ignition **GAS GAS** EC/MC/SM 2006



Cigüeñal / Crankshaft **GAS GAS** EC/MC/SM 2006



# DESPIECE

# ENGINE

Cigüeñal / Crankshaft **GAS GAS** EC/MC/SM 2006



13

Embrague / Clutch **GAS GAS** EC/MC/SM 2006



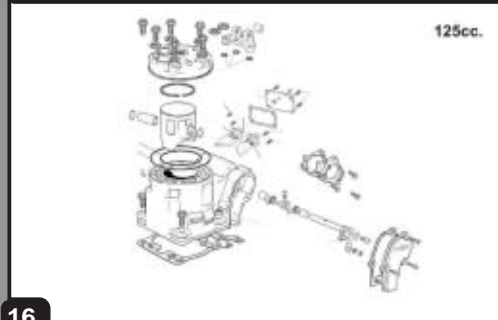
14

Embrague / Clutch **GAS GAS** EC/MC/SM 2006



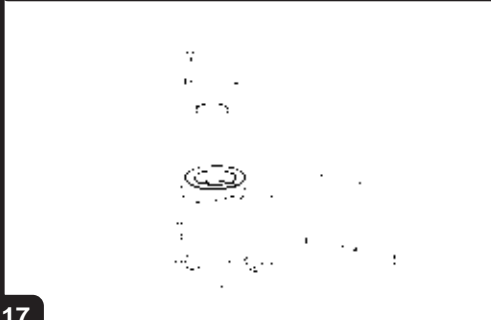
15

Cilindro / Cylinder **GAS GAS** EC/MC/SM 2006



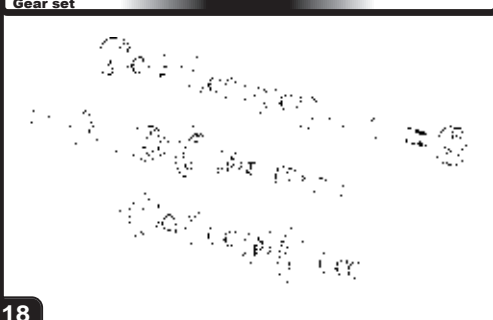
16

Cilindro / Cylinder **GAS GAS** EC/MC/SM 2006



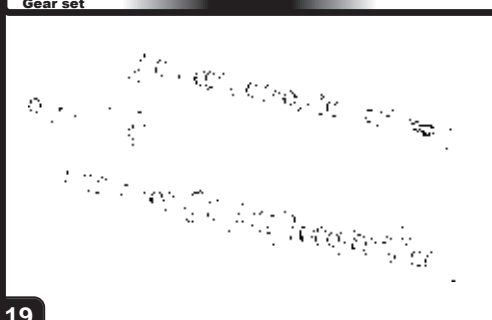
17

Engranajes cambio / Gear set **GAS GAS** EC/MC/SM 2006



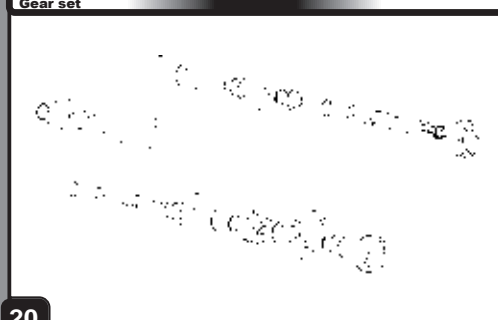
18

Engranajes cambio / Gear set **GAS GAS** EC/SM 2006



19

Engranajes cambio / Gear set **GAS GAS** MC 2006



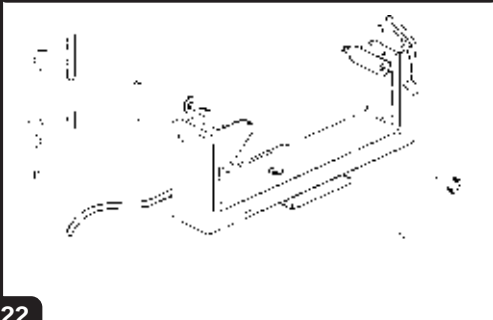
20

Carburador / Carburetor **GAS GAS** EC/MC/SM 2006



21

Utilaje / Tools **GAS GAS** 2006



22

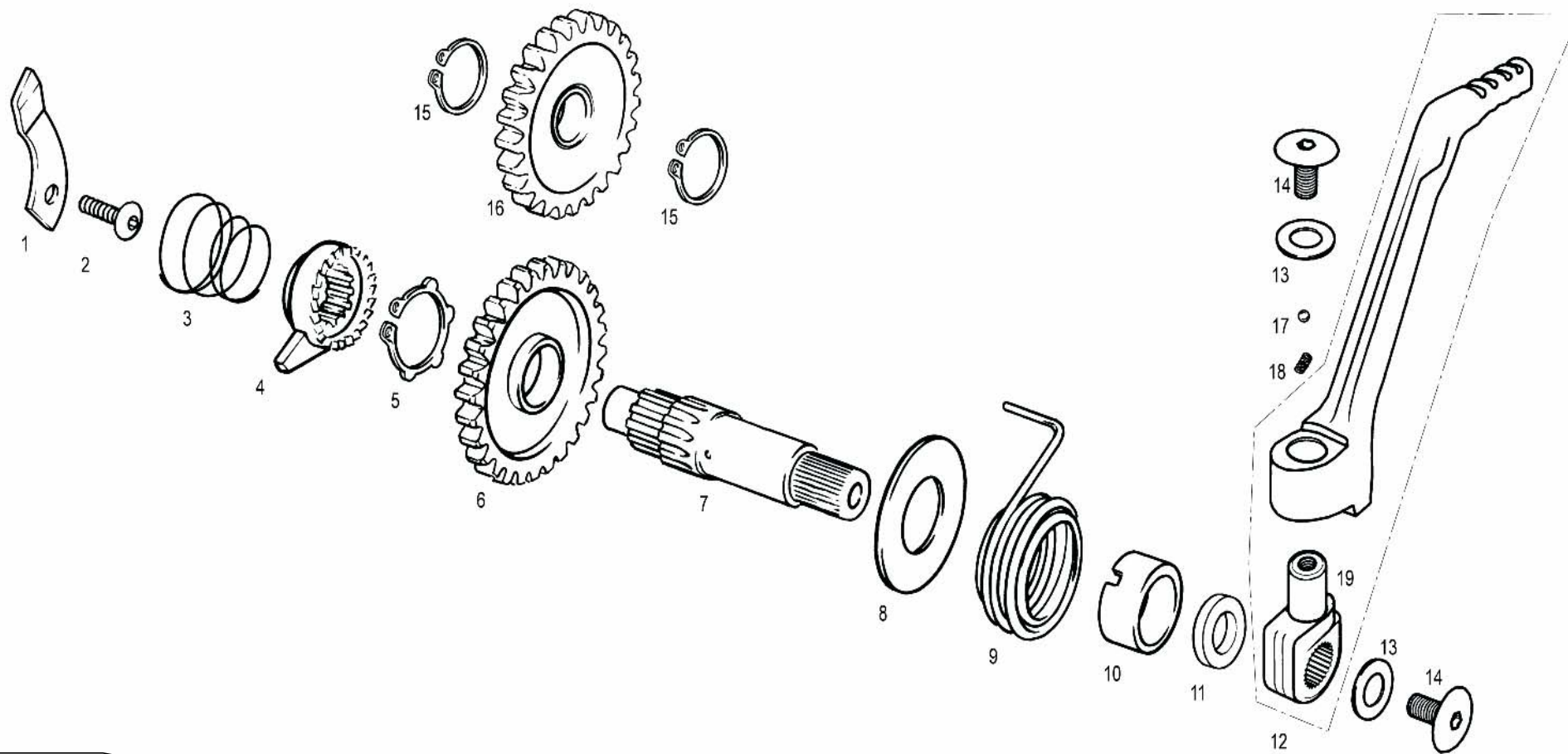
# PART LIST

**Conjunto pedal arranque /  
Kickstart set**

**GAS GAS**

**ECIMCISM 2007**

**125cc.**



**1**

| Nº | DESCRIPCION / DESCRIPTION                                       | 125         | Cant. |
|----|---|-------------|-------|
| 1  | PLATINA TRINQUETE ARRANQUE / KICKSTART RATCHET BRACKET          | ME120136005 | 1     |
| 2  | TORNILLO UFK M5X12 / M5X12 UFK BOLT                             | T0315012    | 1     |
| 3  | MUELLE TRINQUETE ARRANQUE / RATCHET PINION SPRING               | ME25636006  | 1     |
| 4  | TRINQUETE ARRANQUE EC125 / KICKSTART RATCHET PINION             | ME120126004 | 1     |
| 5  | SEEGER E20 DIN 983 / START SEEGER 20                            | MT27836052  | 1     |
| 6  | PIÑÓN ARRANQUE / STARTING PINION                                | MT27836002  | 1     |
| 7  | EJE ARRANQUE CON AGUJERO EC125 / KICKSTARTER SHAFT              | ME120136003 | 1     |
| 8  | ARANDELA ARRANQUE 46X18.6X1 / KICKSTART INNER PINION            | M02614002   | 1     |
| 9  | MUELLE ARRANQUE / KICKSTART SPRING                              | M02613001   | 1     |
| 10 | CASQUILLO CENTRADOR MUELLE ARRANQUE / KICKSTART RATCHET BRACKET | ME250136053 | 1     |
| 11 | RETÉN PEDAL ARRANQUE 18x28x7 / 18x28x7 KICKSTART PEDAL SEAL     | ME120132021 | 1     |
| 12 | CTO. PEDAL ARRANQUE Y MUÑEQUILLA / KICKSTART PEDAL SET          | ME120136060 | 1     |
| 13 | ARANDELA 6X20X1.5 / WASHER 6X20X1.5                             | T4006020    | 2     |
| 14 | TORNILLO 6X12 CABOTA TORK / TORK SCREW 6X12                     | T0316012    | 2     |
| 15 | SEEGER EJE 15 EMBRAGUE / CLUTCH AXLE SEEGER 15                  | M02623000   | 2     |
| 16 | PIÑÓN INTERIOR ARRANQUE EC125 / KICKSTART INNER PINION          | ME120126001 | 1     |
| 17 | BOLA MUÑEQUILLA PEDAL ARRANQUE / KICKSTART PEDAL BASE BALL      | ME250036062 | 1     |
| 18 | MUELLE MUÑEQUILLA PEDAL ARRANQUE / KICKSTART PEDAL BASE SPRING  | ME250036066 | 1     |
| 19 | MUÑEQUILLA PEDAL ARRANQUE / KICKSTART PEDAL BASE                | ME120136061 | 1     |
|    |   |             |       |
|    |   |             |       |
|    |   |             |       |
|    |   |             |       |
|    |   |             |       |
|    |   |             |       |
|    |   |             |       |
|    |   |             |       |
|    |   |             |       |
|    |   |             |       |
|    |   |             |       |
|    |   |             |       |
|    |   |             |       |
|    |   |             |       |
|    |   |             |       |
|    |   |             |       |

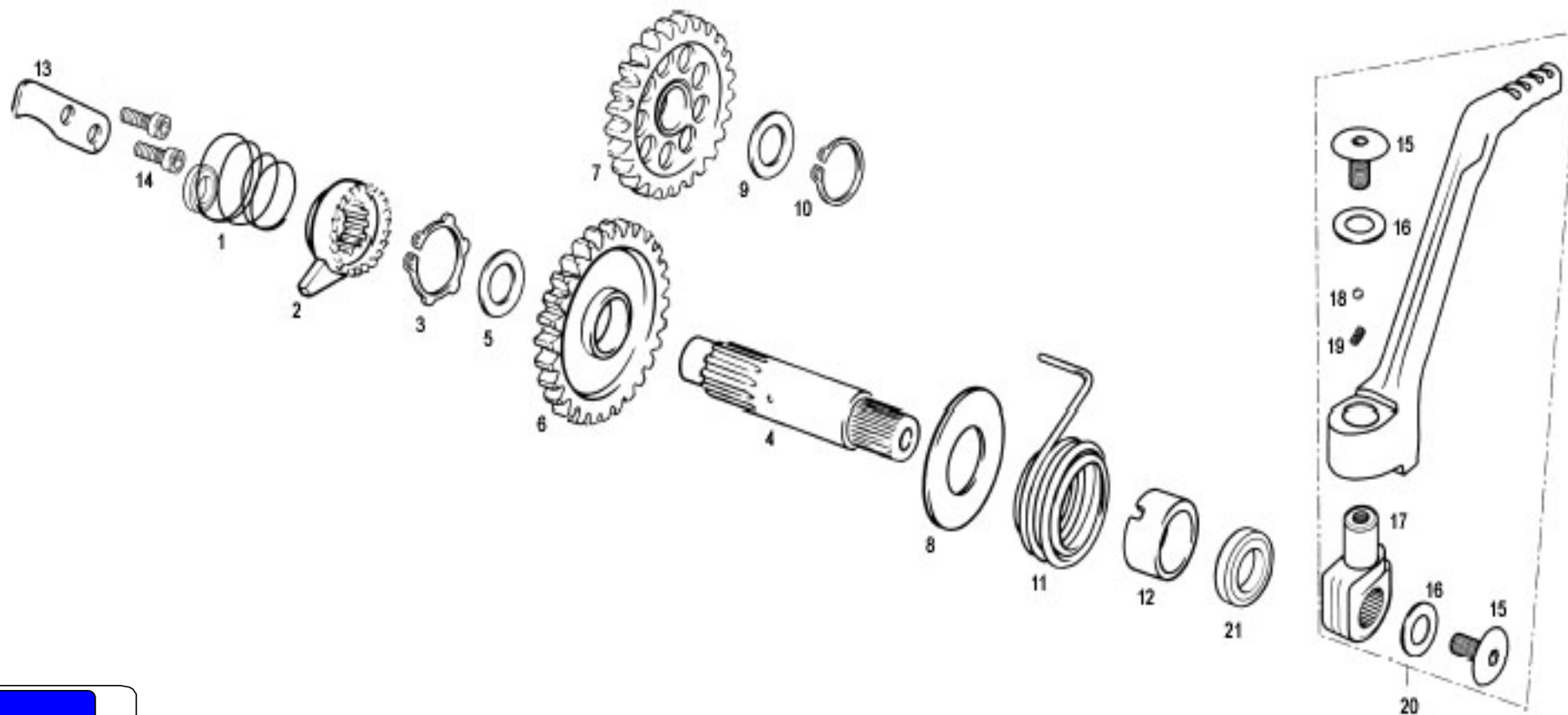
**GAS GAS Motor 1**

**Conjunto pedal arranque /  
Kickstart set**

**GAS GAS**

**ECIMCISM 2007**

**200cc. / 250cc. / 300cc.**



| Nº | DESCRIPCION / DESCRIPTION                                      | 200/250/300  | Cant. |
|----|--|--------------|-------|
| 1  | MUELLE TRINQUETE ARRANQUE / RATCHET PINION SPRING              | ME25636006   | 1     |
| 2  | TRINQUETE ARRANQUE / KICKSTART RATCHET PINION                  | ME120126004  | 1     |
| 3  | SEEGER DE 20 ARRANQUE / START SEEGER 20                        | ME25636052   | 1     |
| 4  | EJE ARRANQUE / KICKSTARTER SHAFT                               | ME250126003  | 1     |
| 5  | ARANDELA TOPE 27X20,2X1 DESP. ARRANQUE / END WASHER 27X20.2X1  | ME25636000   | 1     |
| 6  | PIÑÓN ARRANQUE / STARTING PINION                               | ME250126002  | 1     |
| 7  | PIÑÓN INTERIOR ARRANQUE / KICKSTART INNER PINION               | ME250126001  | 1     |
| 8  | ARANDELA ARRANQUE 20X40X1 / KICKSTART WASHER 20X40X1           | ME25636051   | 1     |
| 9  | ARANDELA PIÑÓN ARRANQUE 24X15,15X0,8 / WASHER 24.15.15X0.8     | ME25636012   | 1     |
| 10 | SEEGER EJE 15 EMBRAGUE / CLUTCH AXLE SEEGER 15                 | ME25632017   | 1     |
| 11 | MUELLE ARRANQUE / KICKSTART SPRING                             | ME25636007   | 1     |
| 12 | CASQUILLO CENTRADOR MUELLE ARRANQUE / KICKSTART SPRING BUSHING | ME250136053  | 1     |
| 13 | PLATINA TRINQUETE ARRANQUE / KICKSTART RATCHET BRACKET         | ME25636005   | 1     |
| 14 | ALLEN 5X15 / ALLEN BOLT 5X15                                   | T0305015     | 2     |
| 15 | TORNILLO 6X12 CABOTA TORK / TORK SCREW 6X12                    | T0316012     | 2     |
| 16 | ARANDELA 6X20X1.5 / WASHER 6X20X1.5                            | T4006020     | 2     |
| 17 | MUÑEQUILLA PEDAL ARRANQUE / KICKSTART PEDAL BASE               | ME250036061  | 1     |
| 18 | BOLA MUÑEQUILLA PEDAL ARRANQUE / KICKSTART PEDAL BASE BALL     | ME250036062  | 1     |
| 19 | MUELLE MUÑEQUILLA PEDAL ARRANQUE / KICKSTART PEDAL BASE SPRING | ME250036066  | 1     |
| 20 | CTO. PEDAL ARRANQUE ALUMINIO / KICKSTART PEDAL SET             | MFS400126060 | 1     |
| 21 | RETÉN PEDAL ARRANQUE 20X30X7 / KICKSTART PEDAL SEAL 20X30X7    | ME25632021   | 1     |
|    |  |              |       |
|    |  |              |       |
|    |  |              |       |
|    |  |              |       |
|    |  |              |       |
|    |  |              |       |
|    |  |              |       |
|    |  |              |       |
|    |  |              |       |
|    |  |              |       |
|    |  |              |       |
|    |  |              |       |
|    |  |              |       |
|    |  |              |       |
|    |  |              |       |
|    |  |              |       |
|    |  |              |       |
|    |  |              |       |
|    |  |              |       |

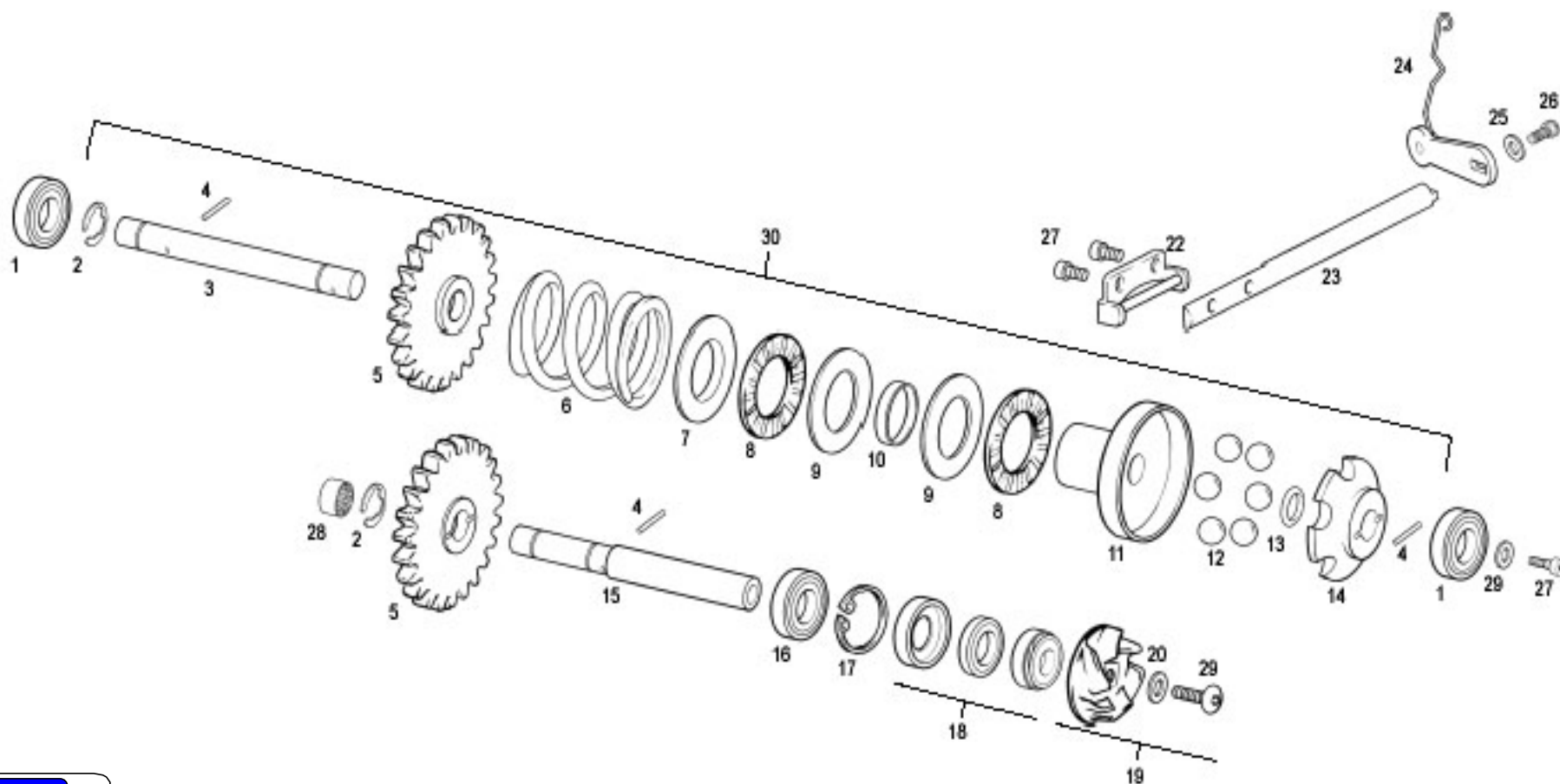
**GAS GAS** *Motor 2*

**Centrífugo - Bomba /  
Impeller - Water pump**

**GAS GAS**

**ECIMCISM 2007**

**125cc.**





| Nº | DESCRIPCION / DESCRIPTION  | 125           | Cant. |
|----|--|---------------|-------|
| 1  | RODAJE CENTRÍFUGO Y BOMBA 608.Z.C3 / WATER PUMP AXIS BEARING         | ME25616032    | 2     |
| 2  | SEEGER DIN 6799 E7 / SEEGER DIN 6799 E7                              | ME25616024    | 2     |
| 3  | EJE CENTRÍFUGO EC125 / IMPELLER AXIS                                 | ME120316005   | 1     |
| 4  | RODILLO BOMBA AGUA CENTRÍFUGO / IMPELLER WATER PUMP NEEDLE           | ME25616028    | 3     |
| 5  | PIÑÓN BOMBA AGUA Y CENTRÍFUGO / WATER PUMP PINION                    | ME120110005   | 2     |
| 6  | MUELLE CENTRÍFUGO VÁLVULA ESCAPE / EXHAUST VALVE SPRING              | ME120116026   | 1     |
| 7  | ARANDELA CENTRAJE MUELLE / IMPELLER SPRING WASHER                    | ME25616029    | 1     |
| 8  | JAULA AGUJA VÁLVULA ESCAPE / EXHAUST VALVE NEEDLES BEARING           | ME25632046    | 2     |
| 9  | PLACA AGUJA RODAMIENTO BOLET Y VÁLVULA ESCAPE AS 1528 / PLAIN WASHER | ME25632016    | 2     |
| 10 | SEPARADOR COJINETE CENTRÍFUGO / SPACER                               | ME25616008    | 1     |
| 11 | CAMPANA CENTRÍFUGA / IMPELLER CAN                                    | ME25616007    | 1     |
| 12 | BOLAS CENTRÍFUGO EMBRAGUE DE 8 mm. / IMPELLER BALLS 8MM              | ME25616033    | 6     |
| 13 | TÓRICA 6X2 EJE CENTRÍFUGO VÁLVULA ESCAPE / O-RING 6X2                | ME25616045    | 1     |
| 14 | ESTRELLA CENTRÍFUGO 6 BOLAS / 6-BALL RETAINER                        | ME25916006    | 1     |
| 15 | EJE PIÑÓN BOMBA AGUA / WATER PUMP PINION AXIS                        | ME25610006    | 1     |
| 16 | RODAMIENTO BOMBA AGUA / WATER PUMP BEARING                           | ME25610010    | 1     |
| 17 | SEEGER INT.26 BOMBA AGUA / WATER PUMP SEEGER 26                      | ME25636065    | 1     |
| 18 | RETÉN BOMBA AGUA (ESTOPADA) / WATER PUMP SEAL                        | ME25610011    | 1     |
| 19 | TURBINA BOMBA AGUA / WATER PUMP IMPELLER                             | ME25610007    | 1     |
| 20 | ARANDELA 6X12X1,5 / 6X12X1,5 WASHER                                  | T4006012      | 1     |
| 21 | TORNILLO ULS 6X16 / ULS BOLT 6X16                                    | T0506016      | 1     |
| 22 | PALANCA SALIDA CENTRÍFUGO EC125 / IMPELLER OUTER LEVER               | ME120116009   | 1     |
| 23 | EJE PALANCA CENTRÍFUGO EC125 / IMPELLER LEVER AXIS                   | ME120116011   | 1     |
| 24 | PALANCA VARILLA EC125 / STICK LEVER SET                              | ME120116110   | 1     |
| 25 | ARANDELA 5X12X1,5 (DIN 125) / WASHER 5X12X1,5                        | T4005012      | 1     |
| 26 | ALLEN 5X15 / 5X15 ALLEN BOLT   | T0305015      | 1     |
| 27 | ALLEN 4X8 NEGRO / 4X8 BLACK ALLEN BOLT                               | T0304008      | 3     |
| 28 | RODAMIENTO AGUJAS HK0810 / NEEDLES BEARING                           | MFS400126021  | 1     |
| 29 | ARANDELA 4X12X1 / 4X12X1 WASHER                                      | T4004112      | 1     |
| 30 | CENTRÍFUGO COMPLETO EC 125 / EC 125 IMPELLER SET                     | ME120316005CT | 1     |
|    |  |               |       |
|    |  |               |       |
|    |  |               |       |

**GAS GAS**

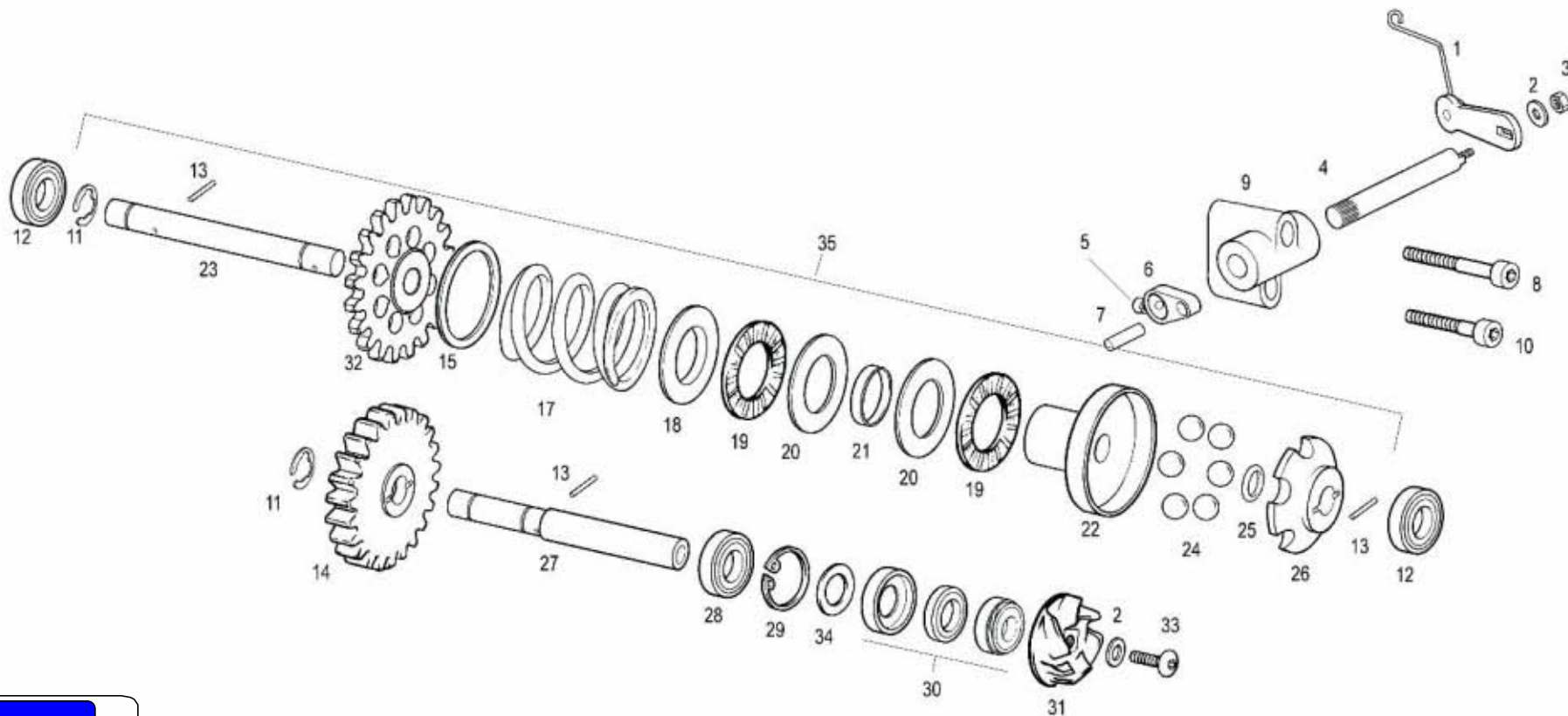
**Motor 3**

**Centrífugo - Bomba /  
Impeller - Water pump**

**GAS GAS**

**ECIMCISM 2007**

**200cc. / 250cc. / 300cc.**



| Nº | DESCRIPCION / DESCRIPTION   | 200/250/300 | Cant. |
|----|---|-------------|-------|
| 1  | CTO. PALANCA VARILLA / STICK LEVER SET                                    | ME25616110  | 1     |
| 2  | ARANDELA 5X12X1,5 / WASHER 5X12X1,5                                       | T4005012    | 2     |
| 3  | TUERCA AUTOBLOCANTE M5 / SELF-LOCKING NUT M5                              | T2105000    | 1     |
| 4  | EJE PALANCA CENTRÍFUGO / IMPELLER LEVER AXLE                              | ME25616011  | 1     |
| 5  | ALLEN 5X6 / ALLEN BOLT 5X6  | T0305006    | 1     |
| 6  | PALANCA SALIDA CENTRÍFUGO / IMPELLER OUTER LEVER                          | ME25616009  | 1     |
| 7  | AGUJA 4X15,8 VÁLVULA ESCAPE / EXHAUST VALVE NEEDLE 4X15.8                 | ME25616037  | 1     |
| 8  | ALLEN 6X50 / ALLEN BOLT 6X50  | T0306050    | 1     |
| 9  | SOPORTE EJE MANDO VÁLVULA / VALVE AXIS SUPPORT                            | ME25616025  | 1     |
| 10 | ALLEN 6X35 / ALLEN BOLT 6X35  | T0306035    | 1     |
| 11 | SEEGER DIN.6799E7 / SEEGER DIN6799E7                                      | ME25616024  | 2     |
| 12 | RODA EJE CENTRÍFUGO Y BOMBA / WATER PUMP AXIS BEARING                     | ME25616032  | 2     |
| 13 | RODILLO 3X14 BOMBA AGUA CENTRÍFUGO / IMPELLER WATER PUMP NEEDLE 3X14      | ME25616028  | 3     |
| 14 | PIÑÓN BOMBA AGUA / WATER PUMP PINION                                      | ME25610005  | 1     |
| 15 | VOL. REGL. M VALV. ESC 31,5X22,5X0,2 / WASHER EXHAUST VALVE 31.5X22.5X0.2 | ME25616076  | 1     |
| 17 | MUELLE CENTRÍFUGO VÁLVULA ESCAPE 99 / EXHAUST VALVE SPRING 99             | ME25916026  | 1     |
| 18 | ARANDELA CENTRAJE MUELLE CENTRÍFUGO / IMPELLER SPRING WASHER              | ME25616029  | 1     |
| 19 | JAULA AGUJA VÁLVULA ESCAPE / EXHAUST VALVE NEEDLES BEARING                | ME25632046  | 2     |
| 20 | PLACA AGUJA RODAMIENTO BOLET Y VÁLVULA ESCAPE / PLAIN WASHER              | ME25632016  | 2     |
| 21 | SEPARADOR COJINETE CENTRÍFUGO / SPACER                                    | ME25616008  | 1     |
| 22 | CAMPANA CENTRÍFUGO / IMPELLER CAP   | ME25616007  | 1     |
| 23 | EJE CENTRÍFUGO / IMPELLER AXLE  | ME25616005  | 1     |
| 24 | BOLA CENTRÍFUGO EMB. DE 8M/M / IMPELLER BALLS 8MM                         | ME25616033  | 6     |
| 25 | TÓRICA 6X2 EJE CENTRAJE VÁLVULA ESCAPE / O'RING 6X2                       | ME25616045  | 1     |
| 26 | ESTRELLA CENTRÍFUGO 6 BOLAS / 6-BALL RETAINER                             | ME25916006  | 1     |
| 27 | EJE PIÑÓN BOMBA AGUA / WATER PUMP PINION AXIS                             | ME25610006  | 1     |
| 28 | RODAMIENTO BOMBA AGUA / WATER PUMP BEARING                                | ME25610010  | 1     |
| 29 | SEEGER INT. 26 BOMBA AGUA / WATER PUMP SEEGER 26                          | ME25636065  | 1     |
| 30 | RETÉN BOMBA AGUA / WATER PUMP SEAL  | ME25610011  | 1     |
| 31 | TURBINA BOMBA AGUA / WATER PUMP IMPELLER                                  | ME25610007  | 1     |
| 32 | PIÑÓN CENTRÍFUGO / IMPELLER PINION  | ME250410005 | 1     |
| 33 | ULS 6X16 PL. PRIM, GUAR, FIL. / ULS BOLT 6X16                             | T0506016    | 1     |

**GAS GAS**

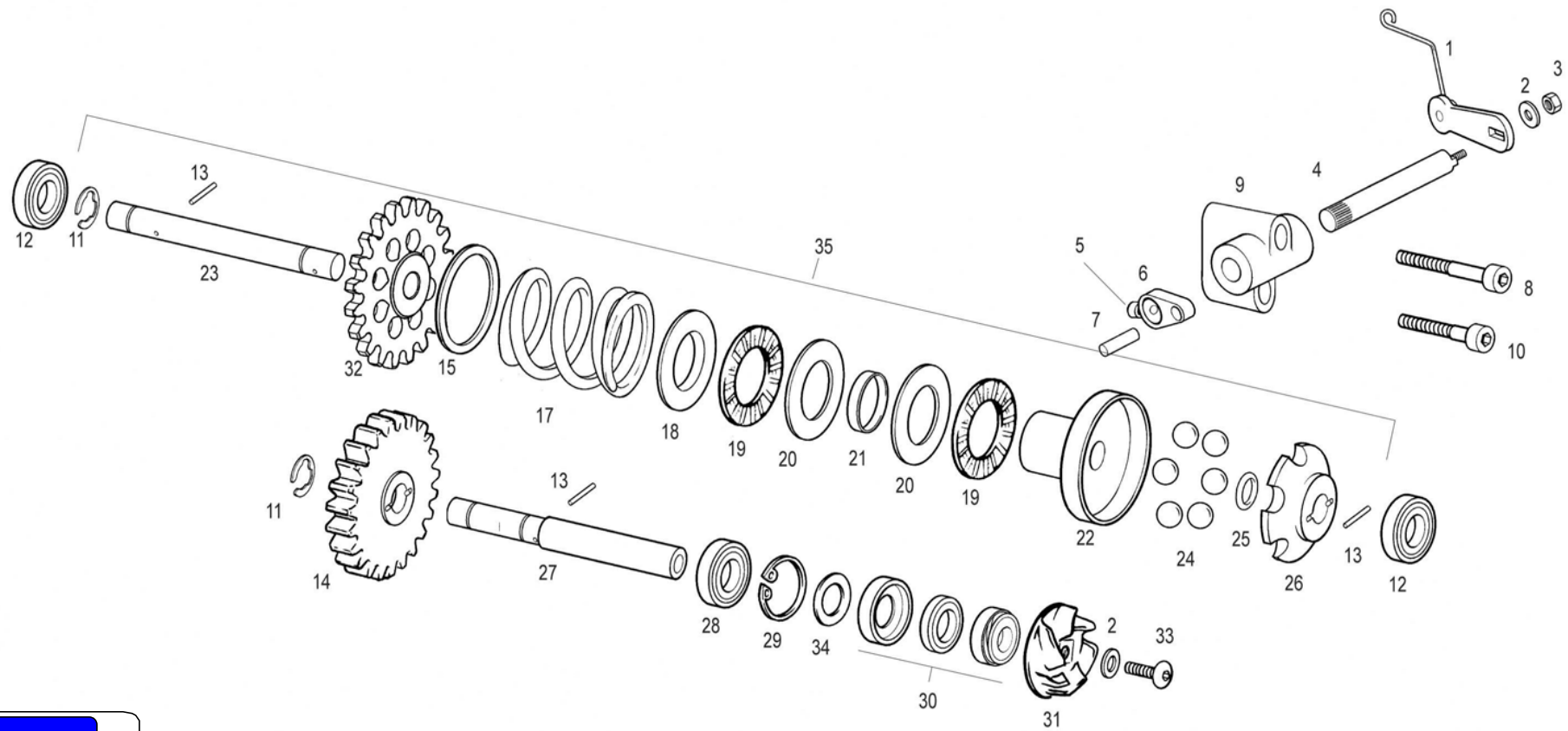
**Motor 4**

**Centrifugo - Bomba /  
Impeller - Water pump**

**GAS GAS**

**ECIMCISM 2007**

**200cc. / 250cc. / 300cc.**



| N° | DESCRIPCION / DESCRIPTION          | 200/250/300   | Cant. |
|----|------------------------------------|---------------|-------|
| 34 | ARANDELA / WASHER                  | M03625000     | 1     |
| 35 | CENTRÍFUGO COMPLETO / IMPELLER SET | ME250416005CT | 1     |
|    |                                    |               |       |
|    |                                    |               |       |
|    |                                    |               |       |
|    |                                    |               |       |
|    |                                    |               |       |
|    |                                    |               |       |
|    |                                    |               |       |
|    |                                    |               |       |
|    |                                    |               |       |
|    |                                    |               |       |
|    |                                    |               |       |
|    |                                    |               |       |
|    |                                    |               |       |
|    |                                    |               |       |
|    |                                    |               |       |
|    |                                    |               |       |
|    |                                    |               |       |
|    |                                    |               |       |
|    |                                    |               |       |
|    |                                    |               |       |
|    |                                    |               |       |
|    |                                    |               |       |
|    |                                    |               |       |
|    |                                    |               |       |
|    |                                    |               |       |
|    |                                    |               |       |
|    |                                    |               |       |

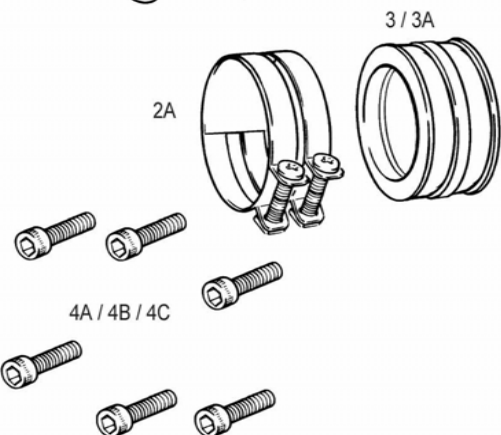
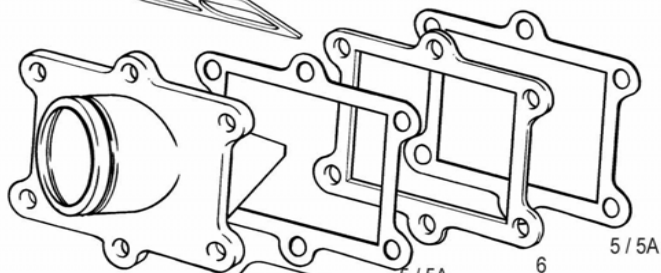
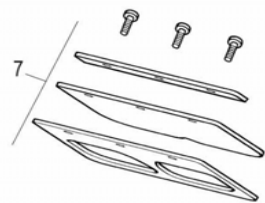
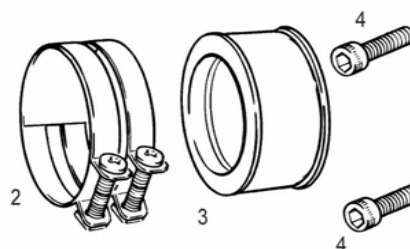
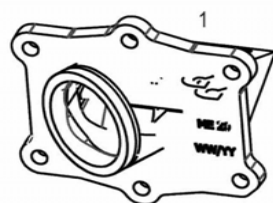
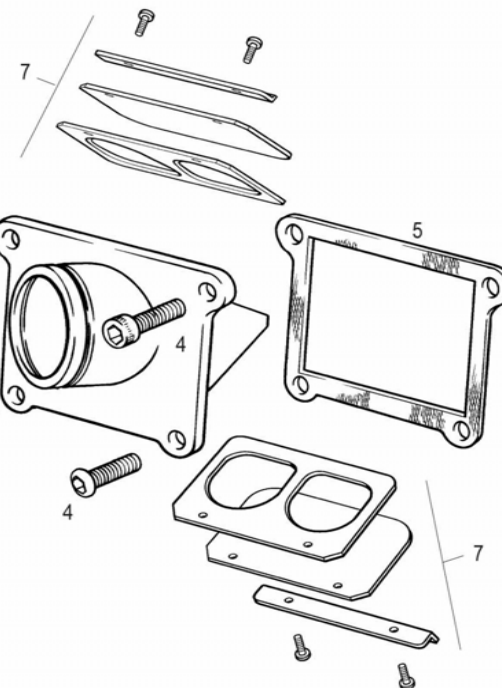
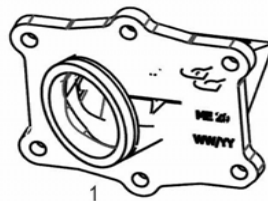
GAS GAS **Motor 4**

**Caja de láminas /  
Reed valve**

**GAS GAS**

**ECIMCISM 2007**

**125cc.**



**200cc. / 250cc. / 300cc.**

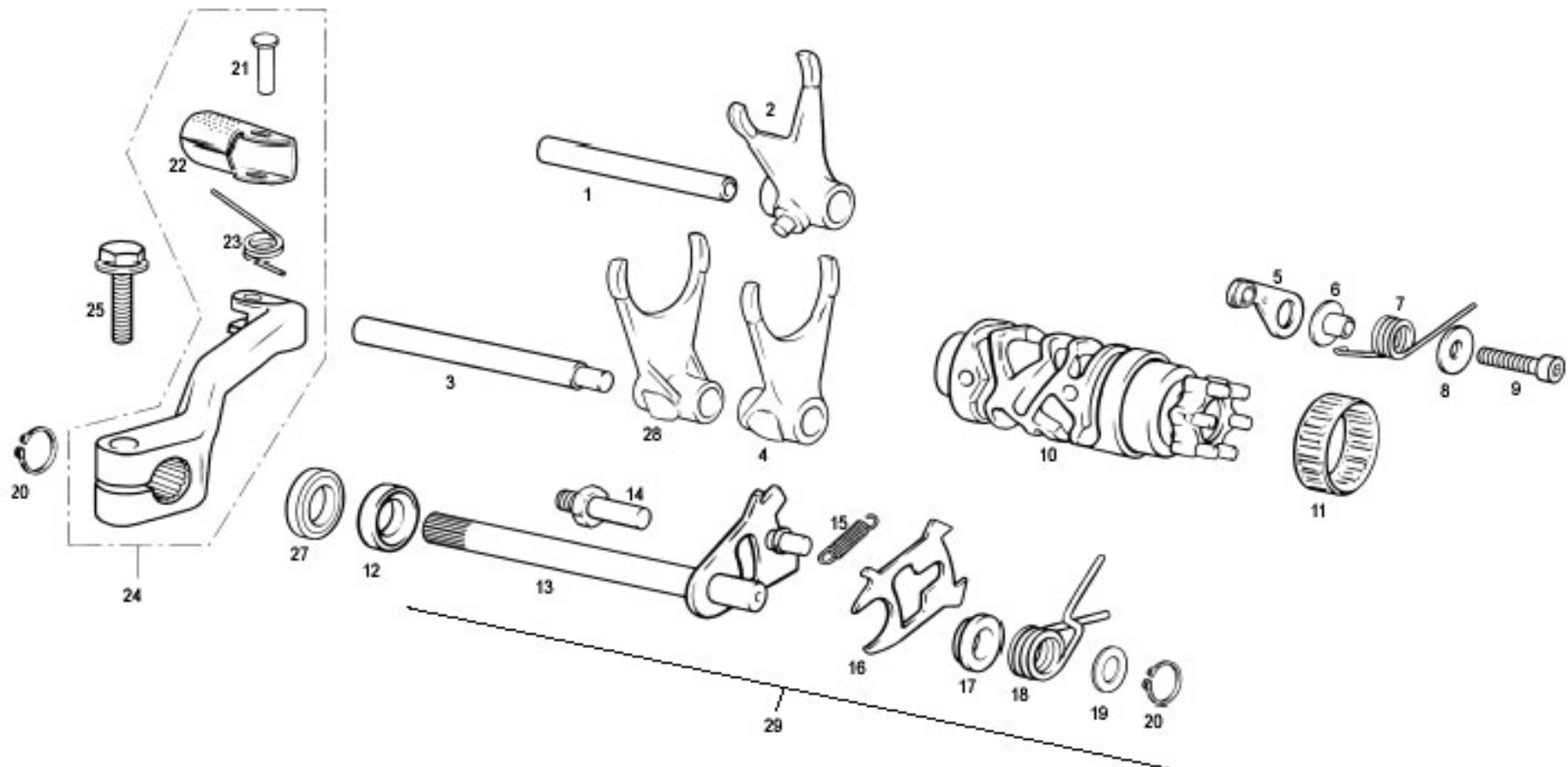
| Nº  | DESCRIPCION / DESCRIPTION                               | 125         | 200         | 250         | 300         | Cant. |
|---|---|-------------|-------------|-------------|-------------|-------|
| 1   | CAJA DE LAMINAS / REED VALVE ASSEMBLY                   | ME120616021 | ME200616021 | ME250616021 |             | 1     |
| 2   | ABRAZADERA CAJA LÁMINAS / REED VALVE CLAMP              | ME120616132 |             | -           |             | 1     |
| 2A  | ABRAZADERA CAJA LÁMINAS / REED VALVE CLAMP              | -           |             | MT280316132 |             | 2     |
| 3   | GOMA CAJA DE LÁMINAS / REED VALVE RUBBER                | ME120616135 |             | ME25616131R |             | 1     |
| 3A  | TUBERA CAJA LÁMINAS / REED VALVE RUBBER                 | -           |             | ME250616135 | ME250616135 | 1     |
| 4   | TORNILLO ESPECIAL 6X20 / SPECIAL BOLT 6X20              | T0206020    |             | -           |             | 4     |
| 4A  | ALLEN 6X16 TAPA EMBRAGUE CÁRTER / 6X16 ALLEN BOLT       | -           | T0306016    | T0306016    |             | 6     |
| 4B  | TORNILLO ESPECIAL 6X25 / SPECIAL BOLT 6X25              |             |             |             | T0206025    | 6     |
| 4C  | TORNILLO ESPECIAL 6X30 / SPECIAL BOLT 6X30              |             |             |             | T0206030    | 6     |
| 5   | JUNTA CAJA LÁMINAS CÁRTER / CRANKCASE REED VALVE GASKET | ME120644005 | ME25644005  | ME250644005 | ME250644005 | 1     |
| 5A  | JUNTA CAJA LÁMINAS TUBERA / RUBBER REED VALVE GASKET    |             |             | ME250644105 | ME250644105 | 1     |
| 6   | PLATINA DISTANCIADOR LÁMINAS / REED SPACER BRACKET      |             |             | -           | MC250416057 | 1     |
| 7   | JUEGO LÁMINAS ADMISIÓN / REED VALVE SET                 | ME120216041 | ME25616041  | ME25616041R | ME25616041  | 2     |
| <b>Solo Motocross MC / Only Motocross MC bike</b> |   |             |             |             |             |       |
| 1   | CAJA DE LÁMINAS / REED VALVE ASSEMBLY                   |             |             | ME200316021 |             | 1     |
|   |   |             |             |             |             |       |
|   |   |             |             |             |             |       |
|   |   |             |             |             |             |       |
|   |   |             |             |             |             |       |
|   |   |             |             |             |             |       |
|   |   |             |             |             |             |       |
|   |   |             |             |             |             |       |
|   |   |             |             |             |             |       |
|   |   |             |             |             |             |       |
|   |   |             |             |             |             |       |
|   |   |             |             |             |             |       |
|   |   |             |             |             |             |       |
|   |   |             |             |             |             |       |
|   |   |             |             |             |             |       |
|   |   |             |             |             |             |       |
|   |   |             |             |             |             |       |
|   |   |             |             |             |             |       |
|   |   |             |             |             |             |       |

**Selector cambio /  
Shift cam**

**GAS GAS**

**ECIMCISM 2007**

**125cc.**





| Nº | DESCRIPCION / DESCRIPTION                                  | 125           | Cant. |
|----|--|---------------|-------|
| 1  | EJE HORQUILLA CORTO EC125 / SHORT FORK AXIS                | ME120136045   | 1     |
| 2  | HORQUILLA PRIM. 5-6 / SHIFT FORK 5-6                       | ME120136009   | 1     |
| 3  | EJE HORQUILLA LARGO / LONG FORK AXIS                       | ME120136044   | 1     |
| 4  | HORQUILLA SECUNDARIO 2-3 EC125 / SHIFT FORK 2-3            | ME120136008   | 1     |
| 5  | FIJADOR MARCHAS EC / GEAR LEVER END                        | ME25006033CT  | 1     |
| 6  | CASQUILLO PLATINA FIJADOR MARCHAS / GEAR BUSHING           | ME25636047    | 1     |
| 7  | MUELLE FIJADOR MARCHAS EC125 / GEAR FASTEN SPRING          | ME120136034   | 1     |
| 8  | ARANDELA PLANA 6.5X16X1.5 / PLANE WASHER 6.5X16X1.5        | T4006016      | 1     |
| 9  | ALLEN 6X25 / ALLEN BOLT 6X25                               | T0306025      | 1     |
| 10 | DESMODRÓMICO EC125 / SHIFT CAM                             | ME120536031   | 1     |
| 11 | RODAMIENTO DESMODRÓMICO HK3512 / HK3512 SHIFT CAM BEARING  | ME25636054    | 1     |
| 12 | CASQUILLO EJE SELECTOR / AXIS BUSHING                      | ME250136050   | 1     |
| 13 | EJE SELECTOR EC125 / SELECTOR AXIS                         | ME120236038   | 1     |
| 14 | TORNILLO CENTRADOR MUELLE SELECTOR / SELECTOR SPRING SCREW | ME25636042    | 1     |
| 15 | MUELLE ESCORPIÓN / SCORPION SPRING                         | ME25636039    | 1     |
| 16 | ESCORPIÓN / SCORPION                                       | ME250236036   | 1     |
| 17 | DOLLA CENTRADOR ESCORPIÓN / SCORPION CENTRER               | ME250236041   | 1     |
| 18 | MUELLE SELECTOR / SELECTOR SPRING                          | ME25636035    | 1     |
| 19 | ARANDELA 12,10/12,25X22X3 / 12,10/12,25X22X3 WASHER        | T4012022      | 1     |
| 20 | SEEGER 12X1 / 12X1 SEEGER                                  | ME25636043    | 2     |
| 21 | PASADOR PUNTERA PEDAL 6X18 / 6X18 LEVER END PIN            | ME25636030    | 1     |
| 22 | PUNTERA PEDAL CAMBIO / GEAR LEVER END                      | ME25636027    | 1     |
| 23 | MUELLE PUNTERA PEDAL ARRANQUE / GEAR LEVER END SPRING      | ME25636029    | 1     |
| 24 | CTO. PEDAL CAMBIO / GEAR LEVEL SET                         | ME120336026   | 1     |
| 25 | HEXAGONAL 6X20 CON ARANDELA / 6X20 HEXAGONAL WITH WASHER   | T0206020      | 1     |
| 27 | RETÉN SELECTOR / SELECTOR SEAL                             | ME120136048   | 1     |
| 28 | HORQUILLA SECUNDARIO 1-4 / SHIFT FORK 1-4                  | ME120136108   | 1     |
| 29 | EJE SELECTOR EC125 COMPLETO / SELECTOR AXIS COMPLETE       | ME120236038CT | 1     |
|    |  |               |       |
|    |  |               |       |
|    |  |               |       |
|    |  |               |       |
|    |  |               |       |

**GAS GAS**

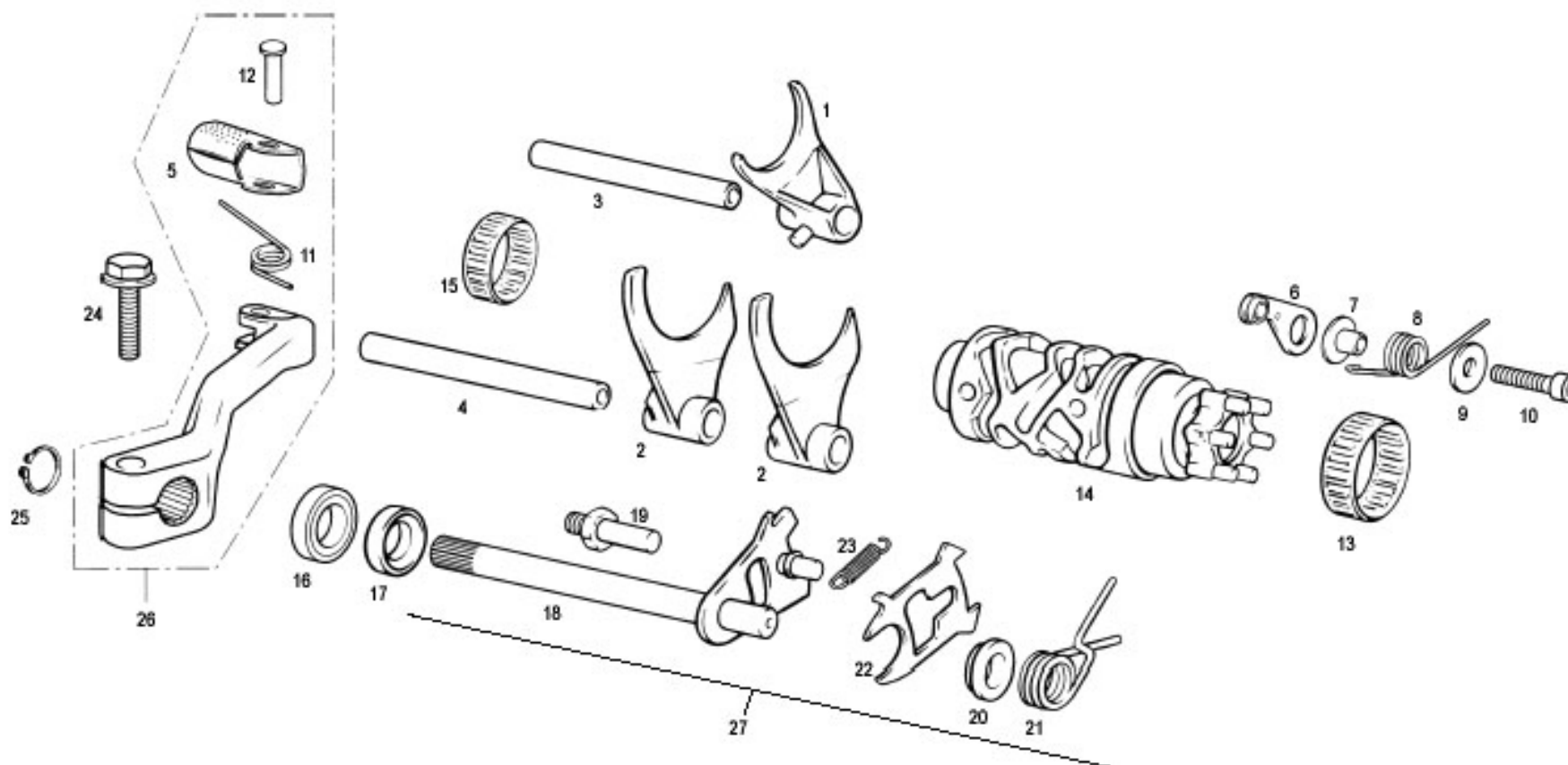
**Motor 6**

**Selector cambio /  
Shift cam**

**GAS GAS**

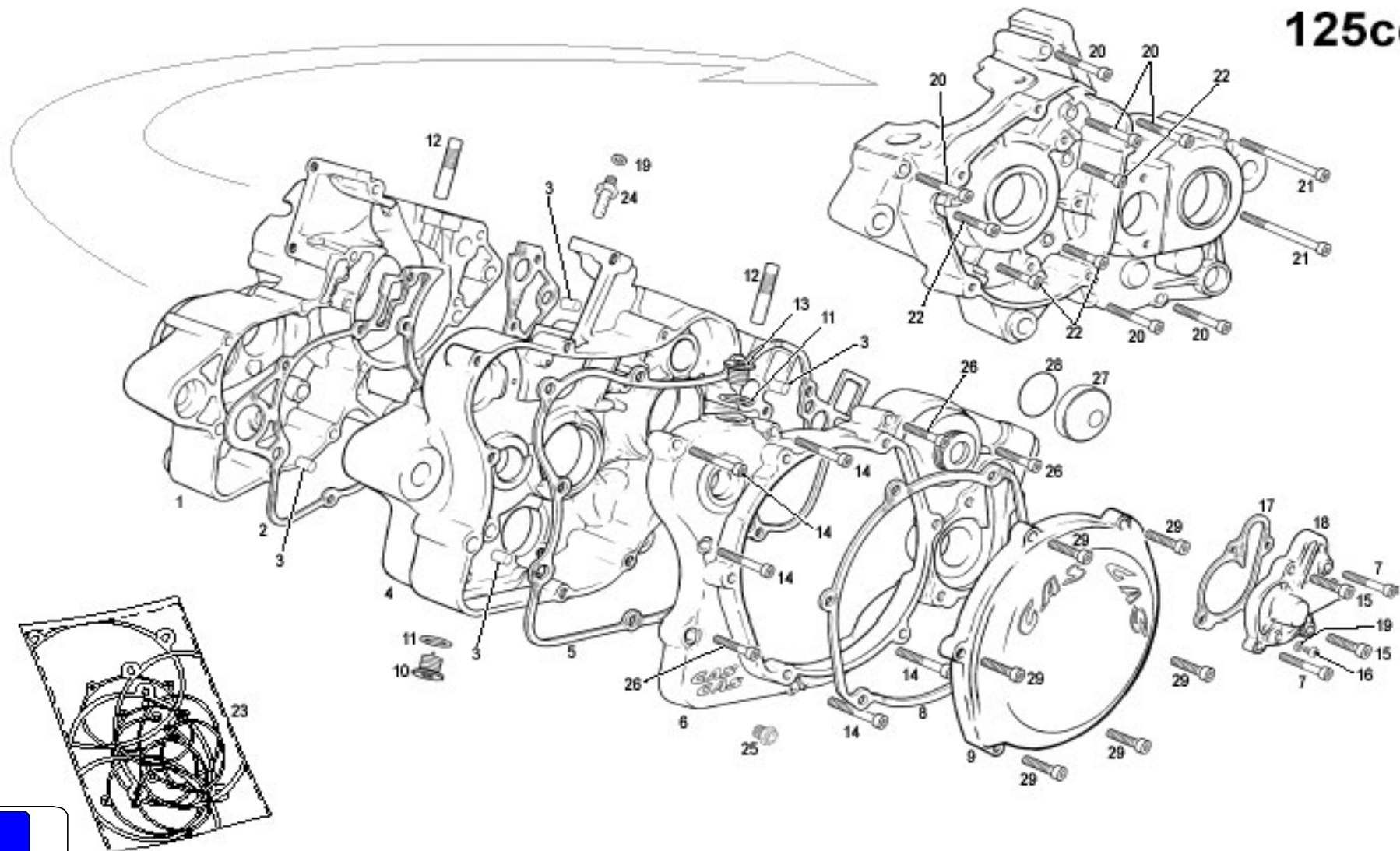
**ECIMCISM 2007**

**200cc. / 250cc. / 300cc.**



| Nº | DESCRIPCION / DESCRIPTION                                  | MC 250          | 250           | Cant. |
|----|--|-----------------|---------------|-------|
| 1  | HORQUILLA 5-6 / SHIFT FORK 5-6                             | MC25836009      | ME25636009    | 1     |
| 2  | HORQUILLA 1-2-3-4 / SHIFT FORK 1-2-3-4                     | MC25836008 (x1) | ME25636008    | 2     |
| 3  | EJE HORQUILLA CORTO / SHORT FORK AXIS                      |                 | ME25636045    | 1     |
| 4  | EJE HORQUILLA LARGO / LONG FORK AXIS                       |                 | ME25636044    | 1     |
| 5  | PUNTERA PEDAL CAMBIO / GEAR LEVER END                      |                 | ME25636027    | 1     |
| 6  | FIJADOR MARCHAS / GEAR FASTEN                              |                 | ME250036033   | 1     |
| 7  | CASQUILLO. PLATINA FIJADOR MARCHAS / GEAR BUSHING          |                 | ME25636047    | 1     |
| 8  | MUELLE FIJADOR MARCHAS / GEAR FASTEN SPRING                |                 | ME250036034   | 1     |
| 9  | ARANDELA PLANA 6X16X1,5 / PLANE WASHER 6X16X1.5            |                 | T4006016      | 1     |
| 10 | ALLEN 6X25X8.8 / ALLEN BOLT 6X25X8.8                       |                 | T0306025      | 1     |
| 11 | MUELLE PUNT. PEDAL CAMB. / GEAR LEVER END SPRING           |                 | ME25636029    | 1     |
| 12 | PASADOR PUNT. PEDAL 6X18 / LEVER END PIN 6X18              |                 | ME25636030    | 1     |
| 13 | RODAMIENTO DESMODRÓMICO HK3512 / SHIFT CAM BEARING         | MC25736031      | ME25636054    | 1     |
| 14 | DESMODRÓMICO / SHIFT CAM                                   |                 | ME250536031   | 1     |
| 15 | RODAMIENTO DESMODRÓMICO HK2512 / SHIFT CAM BEARING         |                 | ME25636055    | 1     |
| 16 | RETÉN SELECTOR 12-22-7 / SEAL 12-22-7                      |                 | ME25636048    | 1     |
| 17 | CASQ. EJE SELECTOR / AXIS BUSHING                          |                 | ME250136050   | 1     |
| 18 | EJE SELECTOR / SELECTOR AXIS                               |                 | ME250236038   | 1     |
| 19 | TORN. CENTR. MUELLE SELECT. / SELECTOR SPRING SCREW        |                 | ME25636042    | 1     |
| 20 | DOLLA CENTRADOR ESCORPIÓN / SCORPION CENTRER               |                 | ME250236041   | 1     |
| 21 | MUELLE SELECTOR / SELECTOR SPRING                          |                 | ME25636035    | 1     |
| 22 | ESCORPIÓN / SCORPION                                       |                 | ME250236036   | 1     |
| 23 | MUELLE ESCORPIÓN / SCORPION SPRING                         |                 | ME25636039    | 1     |
| 24 | HEXAGONAL 6X20 CON ARANDELA / 6X20 HEXAGONAL WITH WASHER   |                 | T0206020      | 1     |
| 25 | SEEGER 12X1 EXT. EJE SELECTOR / SEEGER 12X1                |                 | ME25636043    | 1     |
| 26 | CTO. PEDAL CAMBIO / GEAR LEVER SET                         |                 | *ME120336026  | 1     |
| 27 | EJE SELECTOR COMPLETO EC250 / EC250 SELECTOR AXIS COMPLETE |                 | ME250236038CT | 1     |
|    |  |                 |               |       |
|    |  |                 |               |       |
|    |  |                 |               |       |
|    |  |                 |               |       |
|    |  |                 |               |       |
|    |  |                 |               |       |
|    |  |                 |               |       |
|    |  |                 |               |       |

125cc.

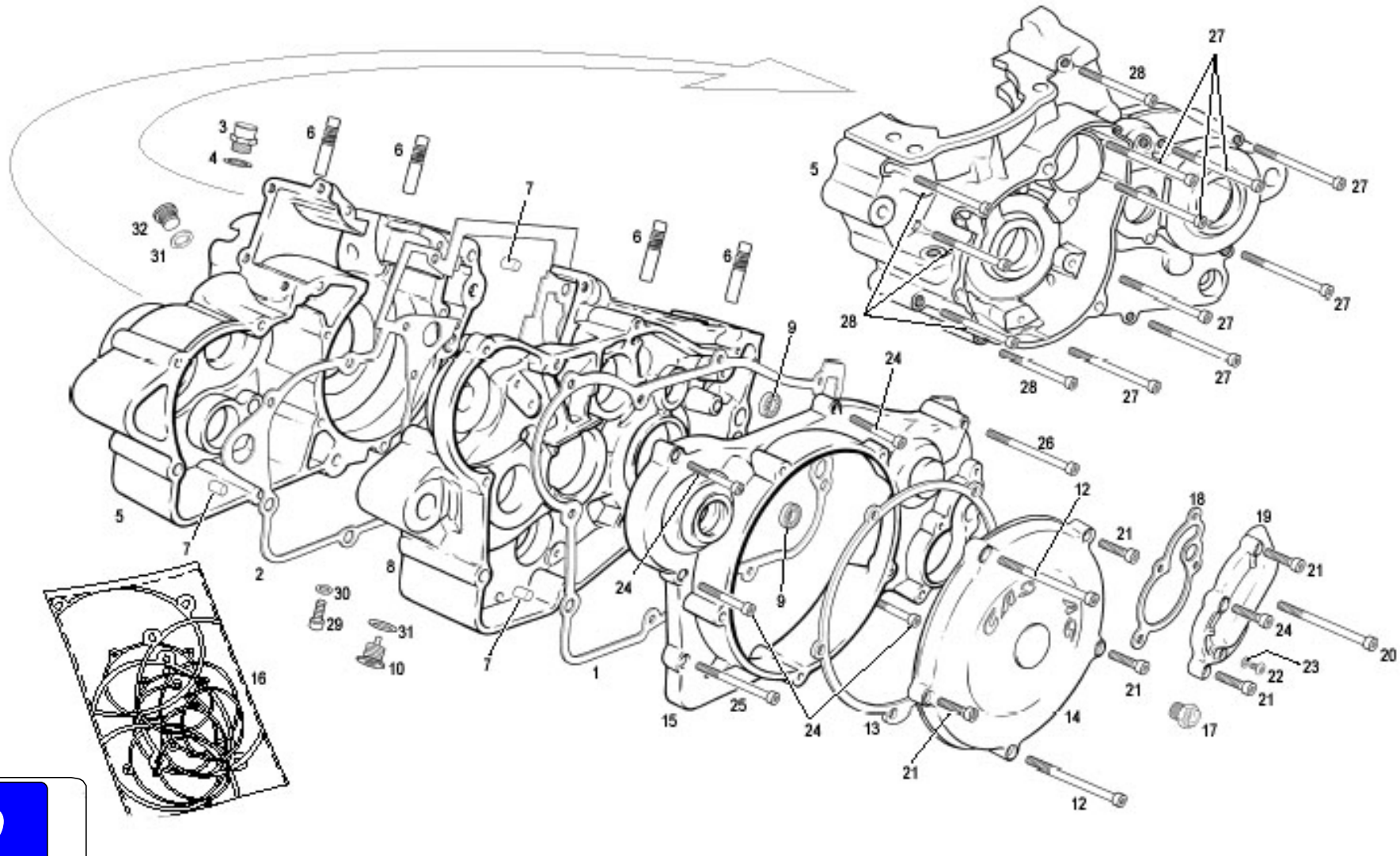


| Nº | DESCRIPCION / DESCRIPTION   | 125         | Cant. |
|----|---|-------------|-------|
| 1  | CÁRTER IZQUIERDO EC125 / LEFT CRANKCASE                             | ME120310001 | 1     |
| 2  | JUNTA CÁRTER CENTRAL EC125 / CENTRAL CRANKCASE GASKET               | ME120144001 | 1     |
| 3  | CASQUILLO CENTRADOR CÁRTER / CRANKCASE HUSHING                      | ME25610018  | 4     |
| 4  | CÁRTER DERECHO EC125 / RIGHT CRANKCASE                              | ME120410000 | 1     |
| 5  | JUNTA TAPA EMBRAGUE 0.5MM / CLUTCH COVER GASKET                     | ME120144002 | 1     |
| 6  | TAPA EMBRAGUE EC125 / CLUTCH COVER                                  | ME120332001 | 1     |
| 7  | TORNILLO ESPECIAL 6X60 / SPECIAL BOLT 6X60                          | T0206060    | 2     |
| 8  | JUNTA TAPA DISCOS 0.8 / DISCS COVER GASKET 0.8                      | ME120144003 | 1     |
| 9  | TAPA DISCOS EMBRAGUE MAGNESIO / MAGNESIUM DISCS CLUTCH COVER        | ME120132002 | 1     |
| 10 | TAPÓN VACIADO ACEITE CON IMÁN / MAGNETIC OIL DRAIN PLUG             | M01016002   | 1     |
| 11 | ARANDELA COBRE 12X18X1,5 / 12X18X1,5 WASHER                         | MT280410030 | 2     |
| 12 | ESPÁRRAGO CILINDRO EC125 M8 / CYLINDER PIN                          | ME120116023 | 2     |
| 13 | TAPÓN LLENADO ACEITE / OIL FILL PLUG                                | ME25610016  | 1     |
| 14 | TORNILLO ESPECIAL 6X35 / SPECIAL BOLT 6X35                          | T0206035    | 5     |
| 15 | TORNILLO ESPECIAL TAPA EMBRAGUE CART. SUP. 6X25 / SPECIAL BOLT 6X25 | T0206025    | 2     |
| 16 | ULS 6X10 / ULS BOLT 6X10  | T0506010    | 1     |
| 17 | JUNTA TAPA BOMBA AGUA EC125 / WATER PUMP COVER GASKET               | ME120144008 | 1     |
| 18 | TAPA BOMBA AGUA EC125 / WATER PUMP COVER                            | ME120110008 | 1     |
| 19 | ARANDELA FIBRA 6X10X1.5 / FIBER WASHER 6X10X1.5                     | T4006010    | 2     |
| 20 | TORNILLO ESPECIAL 6X55 / SPECIAL BOLT 6X55                          | T0206055    | 6     |
| 21 | TORNILLO ESPECIAL 6X70 8.8 CÁRTER / SPECIAL BOLT 6X70               | T0206070    | 2     |
| 22 | TORNILLO ESPECIAL 6X45 / SPECIAL BOLT 6X45                          | T0206045    | 4     |
| 23 | KIT JUNTAS EC 125 / EC125 GASKET KIT                                | ME120144100 | 1     |
| 24 | DESVAPOORIZADOR CÁRTER / CARTER BREATHE                             | M01032001   | 1     |
| 25 | VISOR NIVEL DE ACEITE / OIL LEVEL PLUG                              | ME25610015  | 1     |
| 26 | TORNILLO ESPECIAL 6X40 / SPECIAL BOLT 6X40                          | T0206040    | 3     |
| 27 | TAPÓN CENTRÍFUGO / IMPELLER CAP                                     | ME120332085 | 1     |
| 28 | TÓRICA 28X1,78 / 28X1,78 O-RING GASKET                              | ME120332086 | 1     |
| 29 | TORNILLO ESPECIAL 6X20 / SPECIAL BOLT 6X20                          | T0206020    | 6     |
|    |   |             |       |
|    |   |             |       |
|    |   |             |       |
|    |   |             |       |

**GAS GAS**

**Motor 8**

200cc. / 250cc. / 300cc.

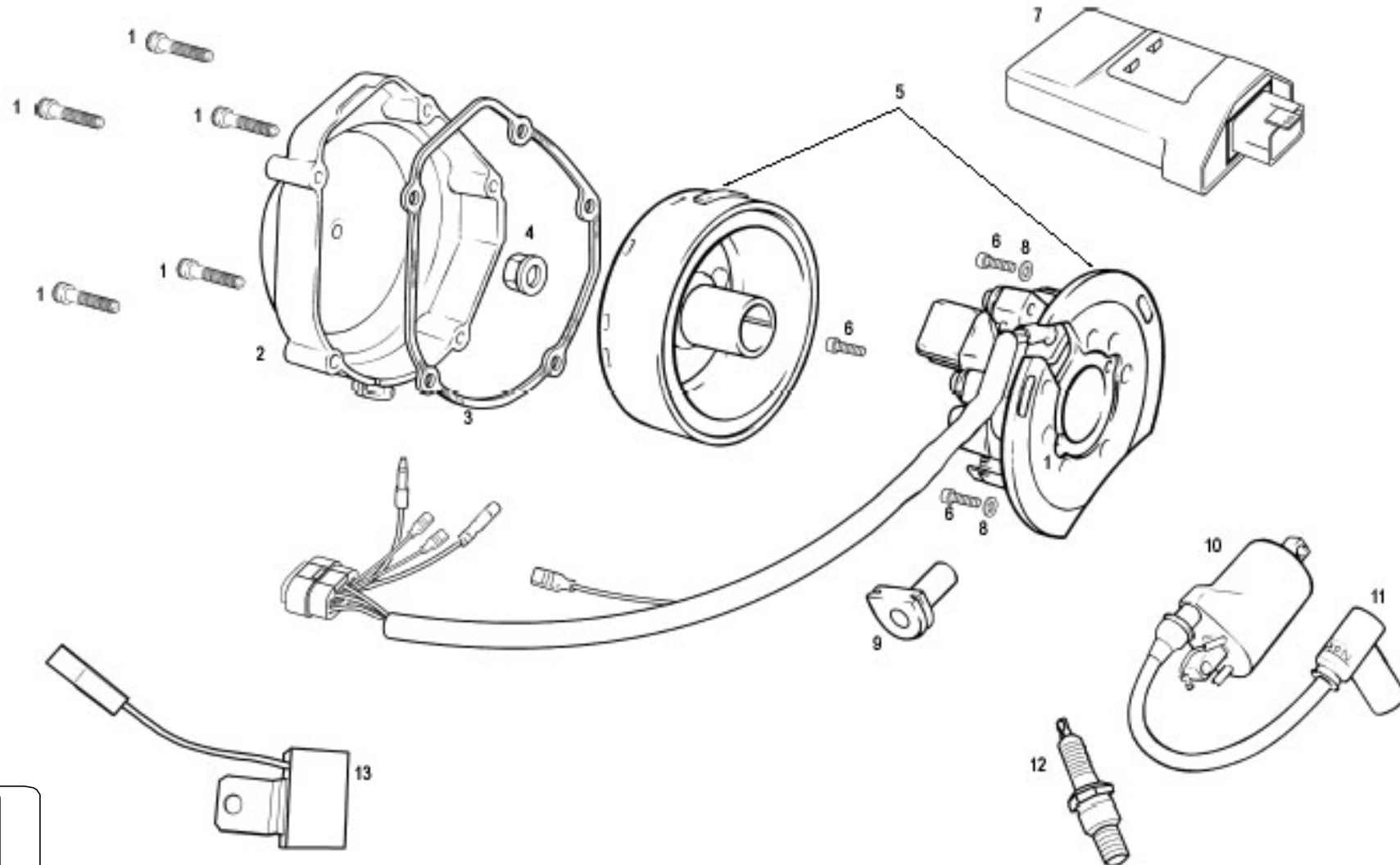


| Nº | DESCRIPCION / DESCRIPTION                               | 200         | 250/300     | Cant. |
|----|---|-------------|-------------|-------|
| 1  | JUNTA TAPA EMBRAGUE / CLUTCH COVER GASKET               |             | ME25644002  | 1     |
| 2  | JUNTA CARTER CENTRAL / CENTRAL CRANKCASE GASKET         |             | ME250544001 | 1     |
| 3  | RACORD ENTRADA AGUA / WATER INLET VALVE                 |             | ME25610013  | 1     |
| 4  | ARANDELA FIBRA 14X20X2 RACORD ENTR. AGUA / FIBER WASHER |             | ME25610014  | 1     |
| 5  | CÁRTER IZQUIERDO / LEFT CRANKCASE                       | ME200510001 | ME250510001 | 1     |
| 6  | ESPÁRRAGO CILINDRO / CYLINDER PIN                       |             | ME25616023  | 4     |
| 7  | CASQUILLO CENTRADOR CARTER / CRANKCASE BUSHING          |             | ME25610018  | 6     |
| 8  | CÁRTER DERECHO / RIGHT CRANKCASE                        | ME200510000 | ME250510000 | 1     |
| 9  | RODAMIENTO EJE CENTRÍFUGO Y BOMBA / WATER PUMP BEARINGS |             | ME25616032  | 2     |
| 10 | TAPÓN VACIADO ACEITE CON IMÁN / MAGNETIC OIL DRAIN PLUG |             | ME25610017  | 1     |
| 12 | TORNILLO ESPECIAL 6X75 / SPECIAL BOLT 6X75              |             | T0206075    | 2     |
| 13 | JUNTA TAPA DISCOS DIAM. 8 / DISCS COVER GASKET 8MM      |             | ME25644003  | 1     |
| 14 | TAPA DISCOS EMBRAGUE / DISCS CLUTCH COVER               |             | ME250332002 | 1     |
| 15 | TAPA EMBRAGUE / CLUTCH COVER                            |             | ME250132001 | 1     |
| 16 | KIT JUNTAS / GASKET KIT                                 |             | ME250544100 | 1     |
| 17 | VISOR NIVEL ACEITE / OIL LEVEL PLUG                     |             | ME25610015  | 1     |
| 18 | JUNTA TAPA BOMBA AGUA / WATER PUMP COVER GASKET         |             | ME25944008  | 1     |
| 19 | TAPA BOMBA AGUA / WATER PUMP COVER                      |             | ME25910008  | 1     |
| 20 | TORNILLO ESPECIAL 6X80 CARTER / SPECIAL BOLT 6X80       |             | T0206080    | 1     |
| 21 | TORNILLO 6X25 TAPA EMBRAGUE / SPECIAL BOLT 6X25         |             | T0206025    | 6     |
| 22 | ULS 6X10 / ULS BOLT 6X10                                |             | T0506010    | 1     |
| 23 | ARANDELA FIBRA 6X10X1,5 / FIBER WASHER 6X10X1.5         |             | T4006010    | 1     |
| 24 | TORNILLO ESPECIAL 6X30 / SPECIAL BOLT 6X30              |             | T0206030    | 4     |
| 25 | TORNILLO ESPECIAL 6X35 / SPECIAL BOLT 6X35              |             | T0206035    | 1     |
| 26 | TORNILLO ESPECIAL 6X55 / SPECIAL BOLT 6X55              |             | T0206055    | 1     |
| 27 | ALLEN 6X70 / ALLEN BOLT 6X70                            |             | T0306070    | 8     |
| 28 | ALLEN 6X60 / ALLEN BOLT 6X60                            |             | T0306060    | 5     |
| 29 | ALLEN 8X14 / ALLEN BOLT 8X14                            |             | T0308014    | 1     |
| 30 | ARANDELA COBRE 8X12X1 / COPPER WASHER 8X12X1            |             | T4008012    | 1     |
| 31 | TÓRICA 12X2 TAPÓN ACEITE / OIL CAP O'RING 2X2           |             | MT280410030 | 2     |
| 32 | TAPÓN LLENADO ACEITE / OIL FILL PLUG                    |             | M01016002   | 1     |
|    |   |             |             |       |
|    |   |             |             |       |

**GAS GAS**

**Motor 9**

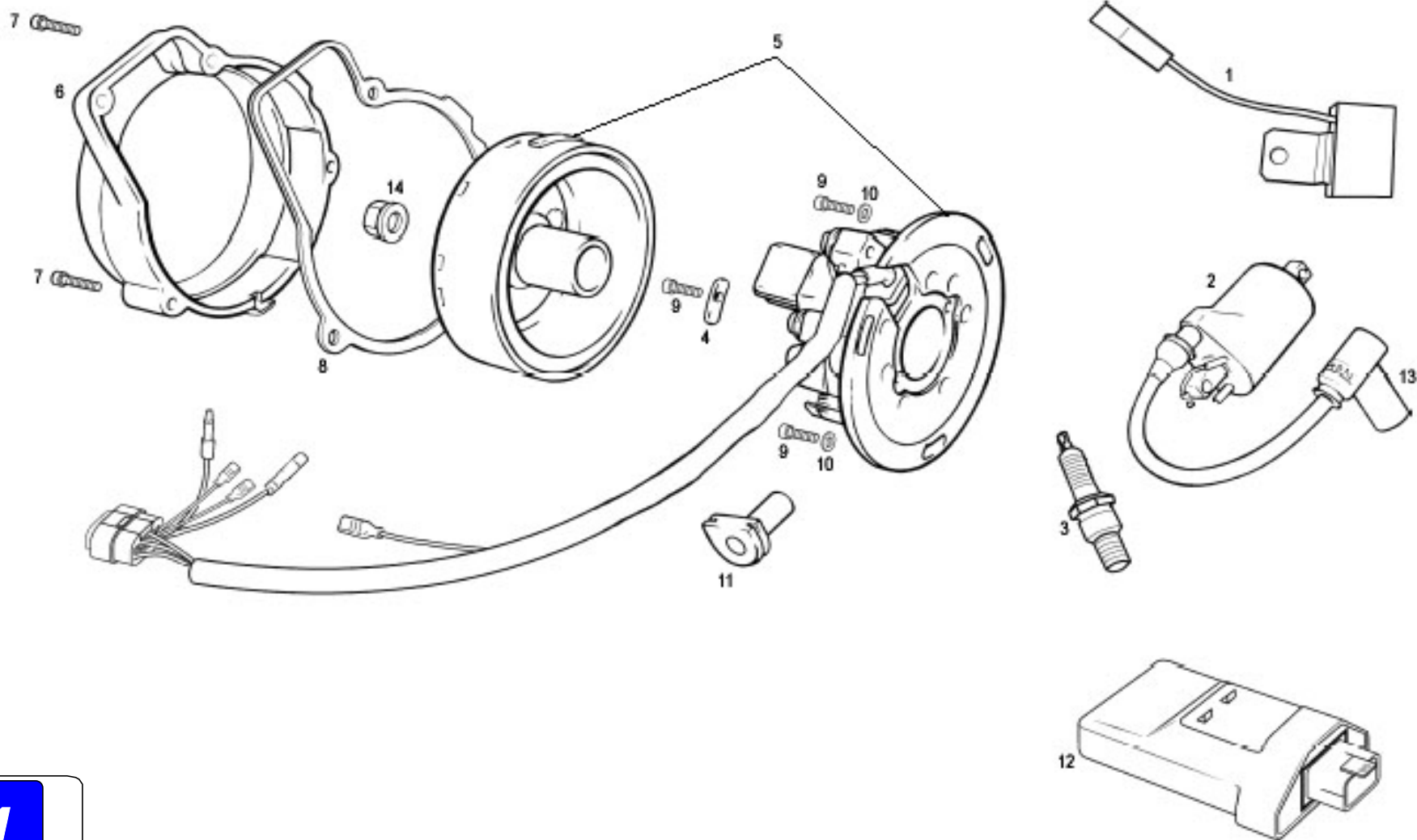
**125cc.**





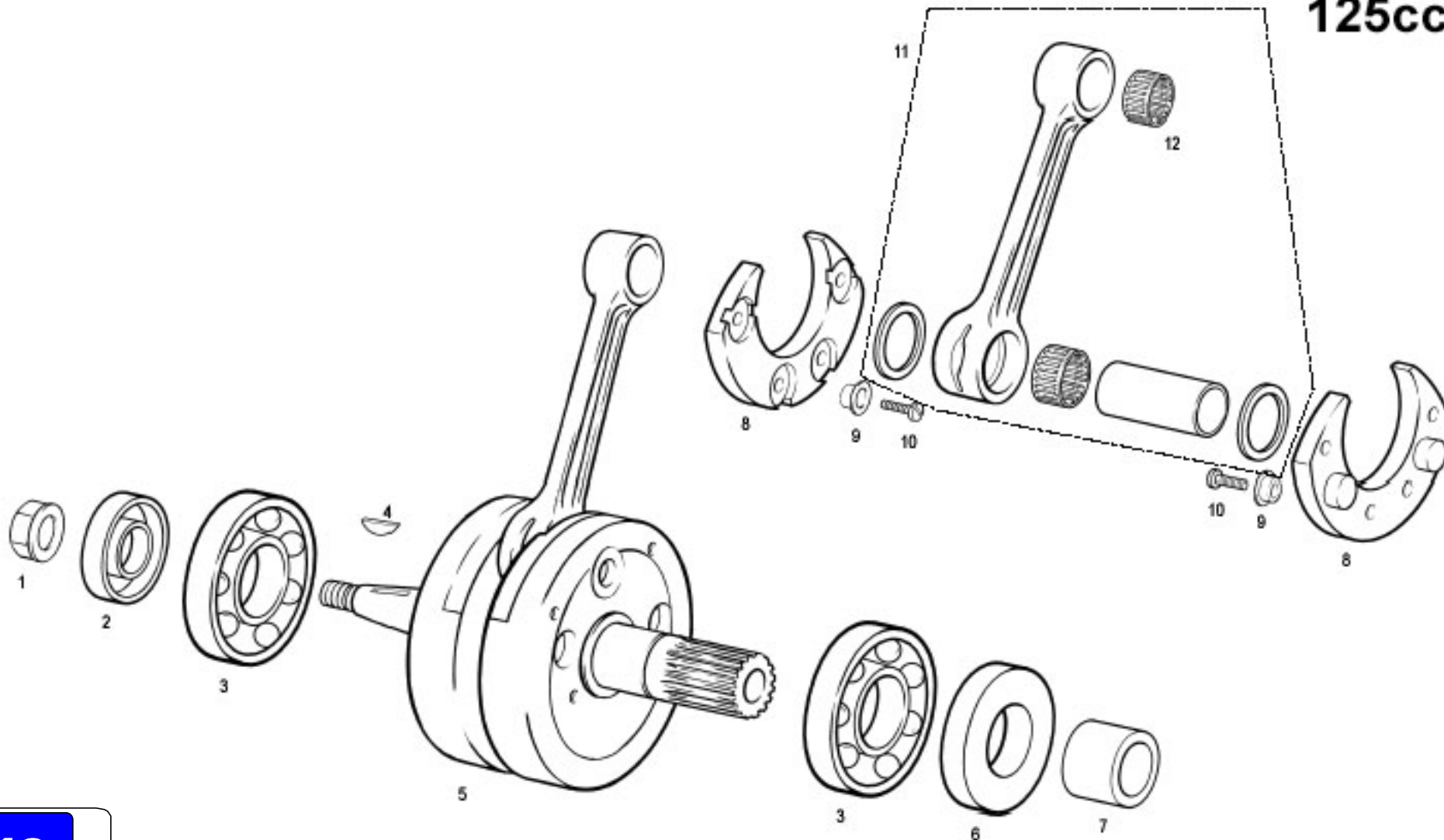
| Nº  | DESCRIPCION / DESCRIPTION                                     | 125          | Cant. |
|---|---|--------------|-------|
| 1   | TORNILLO ESPECIAL 6X40 / SPECIAL BOLT 6X40                    | T0206040     | 5     |
| 2   | TAPA ENCENDIDO PLÁSTICO EC125-2001 / PLASTIC IGNITION COVER   | ME120110004  | 1     |
| 3   | JUNTA TAPA VOLANTE EC125-2001 / IGNITION COVER GASKET         | ME120144004  | 1     |
| 4   | TUERCA CON ARANDELA / NUT WITH WASHER                         | MFS400134011 | 1     |
| 5   | VOLANTE MAGNÉTICO KOKUSAN MULTISPARK FP-8009 / IGNITION COMP. | ME250534005  | 1     |
| 6   | ALLEN 5X20 / ALLEN BOLT 5X20                                  | T0305020     | 3     |
| 7   | CDI / CDI   | ME120534007  | 1     |
| 8   | ARANDELA PLANA 5X12X1.5 (DIN 125) / PLAIN WASHER 5X12X1.5     | T4005012     | 3     |
| 9   | TAPÓN GOMA ENCENDIDO / IGNITION RUBBER CAP                    | ME25934014   | 1     |
| 10  | BOBINA / IGNITION COIL  | ME250434006  | 1     |
| 11  | PIPA BUJÍA / SPARK PLUG CAP                                   | ME25934000   | 1     |
| 12  | BUJÍA BPR9 / SPARK PLUG                                       | ME120134000  | 1     |
| 13  | REGULADOR ALTERNADOR / ALTERNATOR REGULATOR                   | L300031      | 1     |
| <b>Solo Motocross MC / Only Motocross MC bike</b> |   |              |       |
| 5   | VOLANTE MAGNÉTICO KOKUSAN FP8188 / FP8188 IGNITION COMP.      | MC250534005  | 1     |
| 7   | CDI KOKUSAN CROSS / KOKUSAN CDI CROSS                         | MC120534007  | 1     |
|   |   |              |       |
|   |   |              |       |
|   |   |              |       |
|   |   |              |       |
|   |   |              |       |
|   |   |              |       |
|   |   |              |       |
|   |   |              |       |
|   |   |              |       |
|   |   |              |       |
|   |   |              |       |
|   |   |              |       |
|   |   |              |       |
|   |   |              |       |
|   |   |              |       |
|   |   |              |       |
|   |   |              |       |
|   |   |              |       |
|   |   |              |       |
|   |   |              |       |
|   |   |              |       |
|   |   |              |       |
|   |   |              |       |
|   |   |              |       |

200cc. / 250cc. / 300cc.



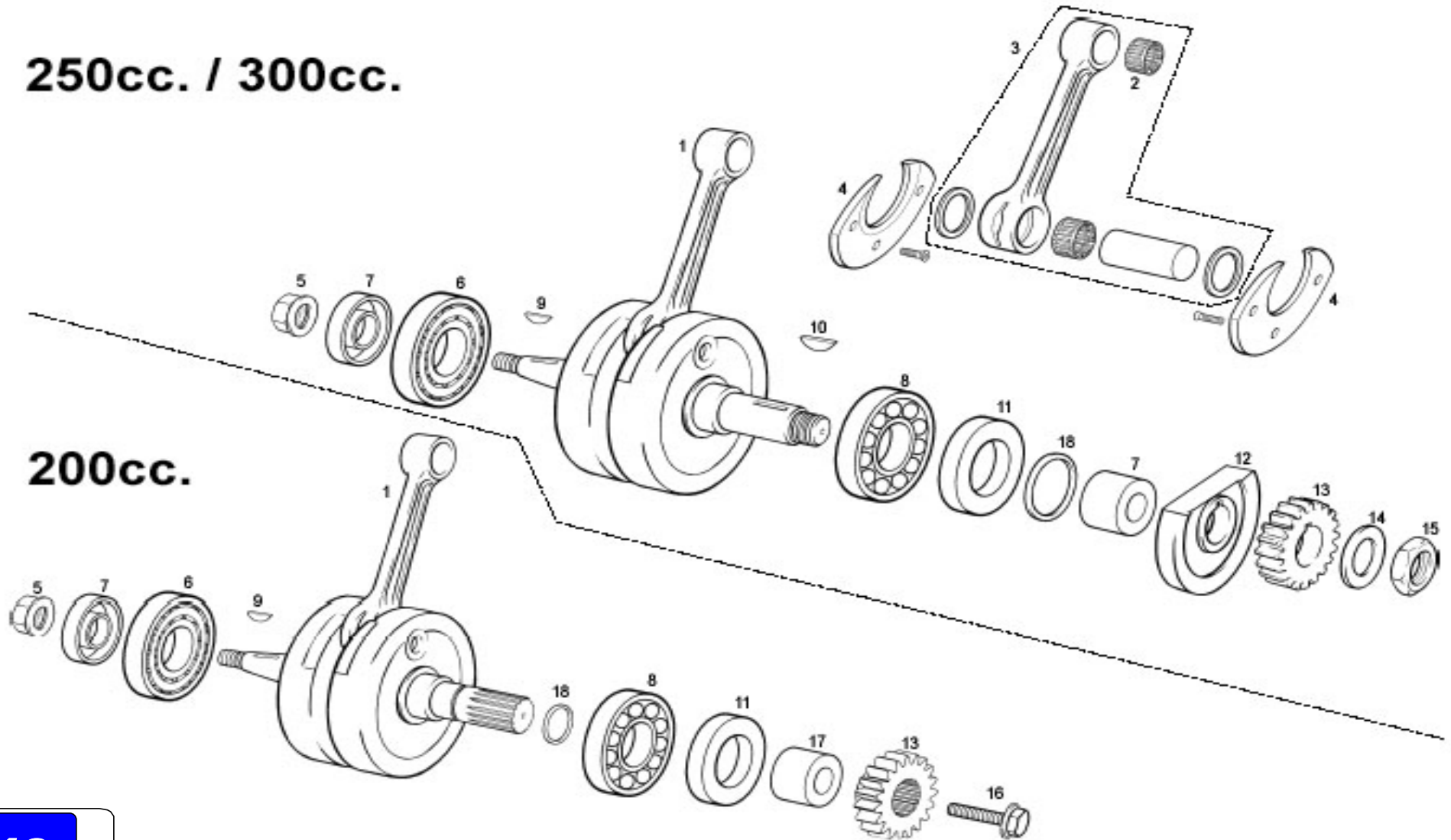
| Nº  | DESCRIPCION / DESCRIPTION  | 200/250/300 | Cant. |
|---|--|-------------|-------|
| 1   | REGULADOR ALTERNADOR / ALTERNATOR REGULATOR                      | L300031     | 1     |
| 2   | BOBINA / IGNITION COIL   | ME250434006 | 1     |
| 3   | BUJÍA / SPARK PLUG   | ME25934000  | 1     |
| 4   | CENTRAJE ENCENDIDO / IGNITION CENTRER                            | ME25934025  | 1     |
| 5   | VOLANTE MAG. KOKUSAN FP-8009 MULTISPARK / FP-8009 IGNITION COMP. | ME250534005 | 1     |
| 6   | TAPA ENCENDIDO PLÁSTICO / PLASTIC IGNITION COVER                 | ME250510004 | 1     |
| 7   | ALLEN 6X35 / ALLEN BOLT 6X35                                     | T0306035    | 4     |
| 8   | JUNTA TAPA VOLANTE / IGNITION COVER GASKET                       | ME250544004 | 1     |
| 9   | ALLEN 5X20 / ALLEN BOLT 5X20                                     | T0305020    | 3     |
| 10  | ARANDELA PLANA 5X12X1,5 / PLAIN WASHER 5X12X1.5                  | T4005012    | 2     |
| 11  | TAPÓN GOMA ENCENDIDO / IGNITION RUBBER CAP                       | ME25934014  | 1     |
| 12  | CDI / CDI  | ME250534007 | 1     |
| 13  | PIPA BUJÍA / SPARK PLUG CAP                                      | BE25934000  | 1     |
| 14  | TUERCA CON ARANDELA / NUT WITH WASHER                            | MC25934011  | 1     |
| <b>Solo Motocross MC / Only Motocross MC bike</b> |  |             |       |
| Nº  | DESCRIPCION / DESCRIPTION  | 250         | Cant. |
| 5   | VOLANTE MAGNÉTICO FP8188 2G3 MULTISPARK / FP8188 IGNITION COMP.  | MC250434005 | 1     |
| 9   | ALLEN 6X16 / ALLEN BOLT 6X16                                     | T0306016    | 2     |
| 10  | ARANDELA PLANA 6X12X1,5 / PLAIN WASHER 6X12X1.5                  | T4006012    | 2     |
|   |  |             |       |
|   |  |             |       |
|   |  |             |       |
|   |  |             |       |
|   |  |             |       |
|   |  |             |       |
|   |  |             |       |
|   |  |             |       |
|   |  |             |       |
|   |  |             |       |
|   |  |             |       |
|   |  |             |       |
|   |  |             |       |
|   |  |             |       |
|   |  |             |       |
|   |  |             |       |

125cc.



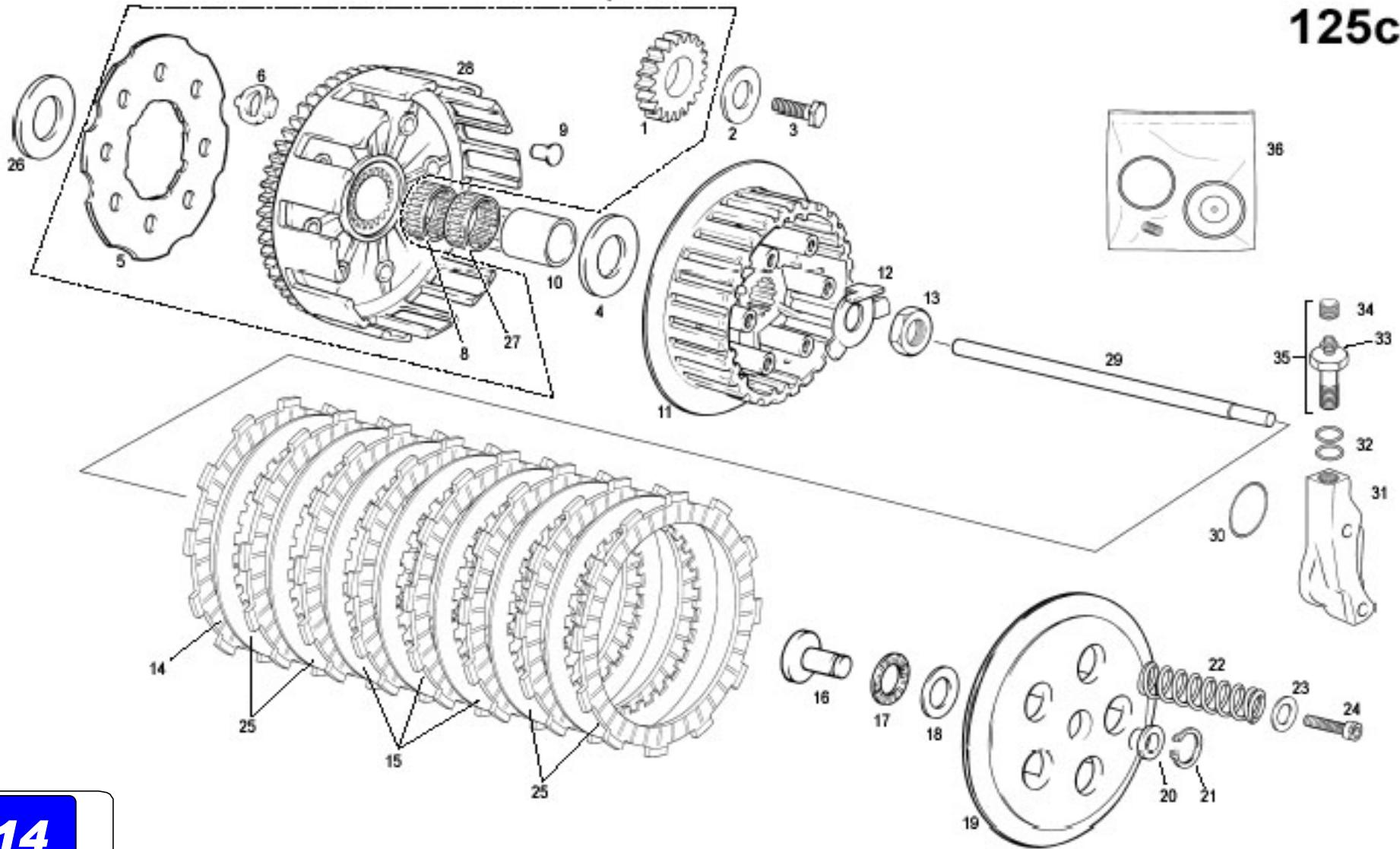
| N° | DESCRIPCION / DESCRIPTION   | 125          | Cant. |
|----|---|--------------|-------|
| 1  | TUERCA VOLANTE CON ARANDELA / IGNITION NUT                        | MFS400134011 | 1     |
| 2  | RETÉN LADO IZQ. CIG. TCJ 20X35X6/6,5 / LEFT SIDE CRANK SHAFT SEAL | ME250112009  | 1     |
| 3  | RODAMIENTO CIGÜEÑAL 125CC 63/22C / CRANKSHAFT BEARING             | ME120112006  | 2     |
| 4  | CHAVETA VOLANTE = MO1224001 / IGNITION KEY                        | ME25634016   | 1     |
| 5  | CTO. CIGÜEÑAL EC 125-2001 / CRANKSHAFT ASSEMBLY                   | ME120112000  | 1     |
| 6  | RETÉN LADO DERECHO CIG. / RIGHT SIDE CRANK SHAFT SEAL             | ME120112008  | 1     |
| 7  | CASQUILLO CIGÜEÑAL TRANS. PRIMARIO / CRANKSHAFT BUSHING           | ME120112014  | 1     |
| 8  | NYLON CONTRAPESO / COUNTERWEIGHT NYLON                            | ME120112021  | 2     |
| 9  | CASQUILLO NYLON CONTRAPESO / COUNTER WEIGHT NYLON BUSHING         | ME120112011  | 8     |
| 10 | TORNILLO ULS 6x16 / 6X16 ULS BOLT                                 | T0506016N    | 2     |
| 11 | CTO. BIELA / ROD. SET   | ME120112100  | 1     |
| 12 | RODAMIENTO 18X22X22 PIE BIELA / ROD BEARING                       | ME120116035  | 1     |
|    |   |              |       |
|    |   |              |       |
|    |   |              |       |
|    |   |              |       |
|    |   |              |       |
|    |   |              |       |
|    |   |              |       |
|    |   |              |       |
|    |   |              |       |
|    |   |              |       |
|    |   |              |       |
|    |   |              |       |
|    |   |              |       |
|    |   |              |       |
|    |   |              |       |
|    |   |              |       |
|    |   |              |       |
|    |   |              |       |
|    |   |              |       |

**250cc. / 300cc.**



| Nº | DESCRIPCION / DESCRIPTION   | 200         | 250         | Cant. |
|----|---|-------------|-------------|-------|
| 1  | CTO. CIGÜEÑAL / CRANKSHAFT ASSEMBLY                                 | ME200512000 | ME250212000 | 1     |
| 2  | RODAMIENTO 18X22X22 PIE BIELA / ROD BEARING                         | -           | ME25616035  | 1     |
| 3  | CTO. BIELA / ROD SET  | ME25612100  | ME25612100  | 1     |
| 4  | NYLON CONTRAPESO / COUNTERWEIGHT NYLON                              | ME20812021  | ME250212021 | 2     |
| 5  | TUERCA CON ARANDELA / NUT WITH WASHER                               |             | MC25934011  | 1     |
| 6  | RODAMIENTO NJ206ETC3 CIGÜEÑAL / NJ206ETC3 CRANKSHAFT BEARING        |             | ME250112013 | 1     |
| 7  | RETÉN LADO IZQUIERDO CIGÜEÑAL / LEFT SIDE CRANK SHAFT SEAL          |             | ME250112009 | 1     |
| 8  | RODAMIENTO CIGÜEÑAL (DER.) / CRANKSHAFT BEARING (RIGHT SIDE)        |             | ME20912006  | 1     |
| 9  | CHAVETA VOLANTE / IGNITION KEY                                      |             | ME25634016  | 1     |
| 10 | CHAVETA CIGÜEÑAL / CRANKSHAFT KEY                                   |             | ME25612010  | 1     |
| 11 | RETÉN LADO DERECHO CIGÜEÑAL / RIGHT SIDE CRANK SHAFT SEAL           |             | ME250112008 | 1     |
| 12 | INERCIA VOLANTE / IGNITION INERTIA                                  |             | ME250712017 | 1     |
| 13 | PIÑÓN CIGÜEÑAL TRANSMISIÓN PRIM. / PRIMARY TRAN. CRANK SHAFT PINION | ME20912004  | ME25612004  | 1     |
| 14 | ARANDELA BISELADA D.20 / WASHER D20                                 |             | ME25632019  | 1     |
| 15 | TUERCA BLOCAJE PIÑÓN CIGÜEÑAL / CRANK SHAFT PINION LOCK.NUT         |             | ME250032018 | 1     |
| 16 | HEXAGONAL CON ARANDELA / HEXAGONAL BOLT WITH WASHER                 | T02012025   | -           | 1     |
| 17 | CASQUILLO CIGÜEÑAL / CRANK SHAFT BUSHING                            | ME200512014 | ME250112014 | 1     |
| 18 | TÓRICA CIGÜEÑAL / CRANK SHAFT O'RING                                | ST950207    | ME250112011 | 1     |
|    |   |             |             |       |
|    |   |             |             |       |
|    |   |             |             |       |
|    |   |             |             |       |
|    |   |             |             |       |
|    |   |             |             |       |
|    |   |             |             |       |
|    |   |             |             |       |
|    |   |             |             |       |
|    |   |             |             |       |
|    |   |             |             |       |
|    |   |             |             |       |
|    |   |             |             |       |
|    |   |             |             |       |
|    |   |             |             |       |
|    |   |             |             |       |
|    |   |             |             |       |
|    |   |             |             |       |
|    |   |             |             |       |

125cc.



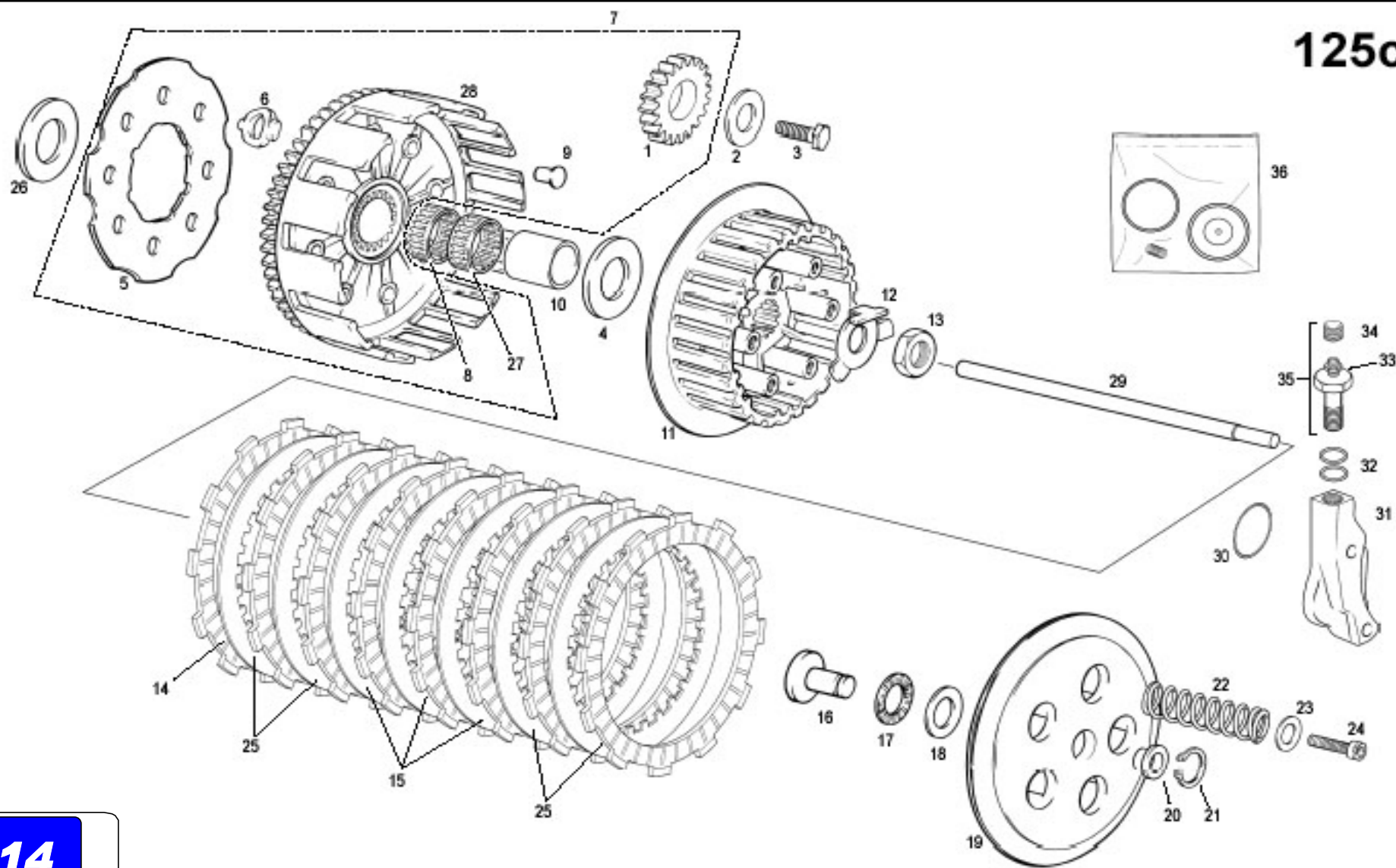


| Nº | DESCRIPCION / DESCRIPTION                                       | 125           | Cant. |
|----|---|---------------|-------|
| 1  | PIÑÓN CIGÜEÑAL TRANS.PRIM. / PR. TRANSMISION CRANK SHAFT PINION | ME120112004   | 1     |
| 2  | ARANDELA 10X28X4 / 10X28X4 WASHER                               | T4001028      | 1     |
| 3  | TORNILLO M10X25/150 12.9 / M10X25/150 12.9 BOLT                 | T0101025/2    | 1     |
| 4  | ARANDELA CAMBIO / SHIFT WASHER                                  | ME120136101   | 1     |
| 5  | ARANDELA CORONA EMBRAGUE / CLUTCH BOSS WASHER                   | ME120132009   | 1     |
| 6  | GOMA SILENTBLOCK / SILENTBLOCK RUBBER                           | ME120132008   | 8     |
| 7  | CTO. CORONA CAMPANA EMBRAGUE / PRIMARY DRIVEN GEAR SET          | ME120132000   | 1     |
| 8  | COJINETE CAMPANA EMBRAGUE / PRIMARY DRIVEN GEAR BEARING         | ME120132031   | 1     |
| 9  | REMACHE CAMPANA 22103-KS6-300 / PRIMARY DRIVEN GEAR RIVETS      | ME120132010   | 8     |
| 10 | CASQUILLO CAMPANA EMBRAGUE / PRIMARY DRIVEN GEAR BUSHING        | ME120132012   | 1     |
| 11 | CUBO EMBRAGUE 22120-KZ4-A90 EC2001 / CLUTCH BOSS                | ME120132005   | 1     |
| 12 | PRECINTO EMBRAGUE / CLUTCH LOCK                                 | ME120132022   | 1     |
| 13 | TUERCA FIJACIÓN CUBO EMBRAGE / CLUTCH BISS NUT                  | ME120132028   | 1     |
| 14 | DISCO EMBRAGUE FORRADO 22201-KS6-700 / COVERED CLUTCH DISK      | ME120132007   | 8     |
| 15 | DISCO EMBRAGUE HIERRO 272M9 / IRON CLUTCH DISK                  | ME120132037   | 3     |
| 16 | EMPUJADOR EMBRAGUE / CLUTCH PIN                                 | ME120132014   | 1     |
| 17 | RODAMIENTO AXIAL EMPUJADOR EMBRAGUE / AXIAL BEARING CLUTCH PIN  | ME120132042   | 1     |
| 18 | ARANDELA EMPUJADOR EMBRAGUE / CLUTCH PIN WASHER                 | ME120132041   | 1     |
| 19 | PREMSA EMBRAGUE / PRESSURE PLATE                                | ME120132006   | 1     |
| 20 | CASQUILLO EMPUJADOR EMBRAGUE / CLUTCH PIN BUSHING               | ME120132044   | 1     |
| 21 | SEEGER EJE 15 EMBRAGUE / CLUTCH SEEGER AXLE 15                  | ME25632017    | 1     |
| 22 | MUELLE EMBRAGUE 39.5X18X2.3X5 PAS EC125-2001 / CLUTCH SPRING    | ME120132015   | 5     |
| 23 | ARANDELA 6X18X1,5 / 6X18X1,5 WASHER                             | T4006018      | 5     |
| 24 | ALLEN 6X20 12.9 / ALLEN BOLT 6X20 12.9                          | T0306020      | 5     |
| 25 | DISCO EMBRAGUE ALUMÍNIO / ALUMINIUM CLUTCH DISK                 | ME120132038   | 4     |
| 26 | ARANDELA EMBRAGUE 20,15X38X3,25 / 20,15X38X3,25 CLUTCH WASHER   | M03226000     | 1     |
| 27 | COJINETE CAMPANA EMBRAGUE K25X29X10 / PRIMARY BEARING           | M02616000     | 1     |
| 28 | CAMPANA EMBRAGUE / DRIVEN GEAR                                  | ME120132004   | 1     |
| 29 | VARILLA EMBRAGUE / CLUTCH ROD.                                  | ME120132040   | 1     |
| 30 | TÓRICA 29,1X1,60 BOMBÍN EMBRAGUE / CLUTCH PUMP O'RING           | ME120132062/2 | 1     |
| 31 | PINZA EMBRAGUE HIDRÁULICO / HYDRAULIC CLUTCH CALIPER            | ME120132026   | 1     |
| 32 | ARANDELA LATIGUILLO / HOSE WASHER                               | BE25622007    | 2     |
| 33 | SANGRADOR / BLEEDER   | BE25622060    | 1     |

**GAS GAS**

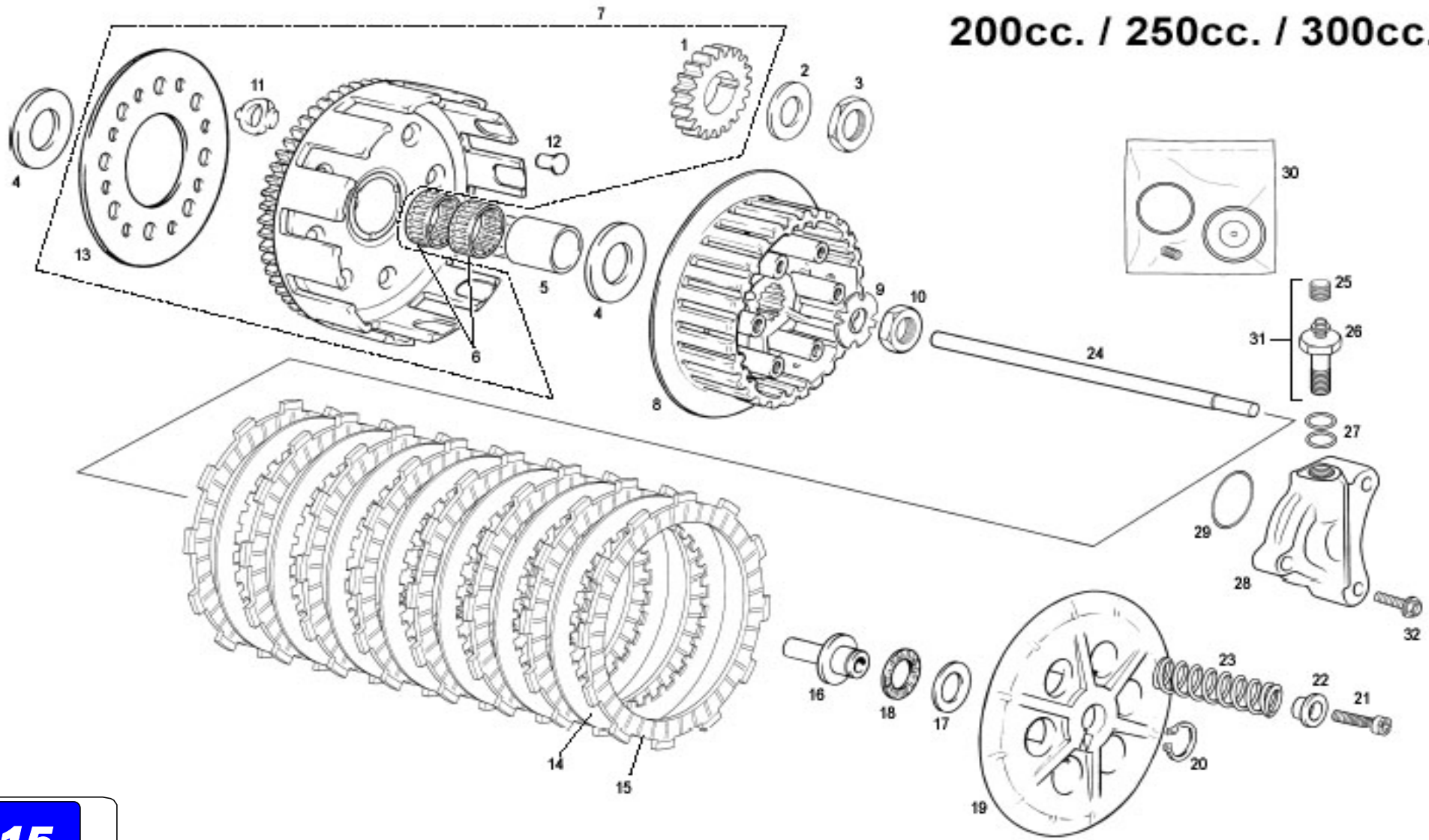
**Motor 14**

125cc.





200cc. / 250cc. / 300cc.



| Nº | DESCRIPCION / DESCRIPTION  | 200          | 250/300       | Cant. |
|----|--|--------------|---------------|-------|
| 1  | PIÑÓN CIGÜEN. TRANS PRIM. / PRIMARY TRANSMISION CRANK SHAFT PINION | ME20912004   | ME25612004    | 1     |
| 2  | ARANDELA BISELADA DE. 20/125 / WASHER 20/125                       |              | ME25632019    | 1     |
| 3  | TUERCA BLOCAJE PIÑÓN CIGÜEÑAL / CRANK SHAFT PINION LOCKING NUT     |              | ME25003298    | 1     |
| 4  | ARANDELA CAMPANA EMBRAGUE 22,1X42X2,8 / WASHER 22.1X42X2.8         |              | ME25632011    | 2     |
| 5  | CASQUILLO CAMPANA EMBRAGUE / PRIMARY DRIVEN GEAR BUSHING           |              | ME25632012    | 1     |
| 6  | COJINETE CAMPANA EMBRAGUE / PRIMARY DRIVEN GEAR BEARING            |              | ME25632029    | 2     |
| 7  | CTO. CORONA CAMPANA EMBRAGUE / PRIMARY DRIVEN GEAR SET             | ME20932003CT | ME250432003CT | 1     |
| 8  | CUBO EMBRAGUE / CLUTCH BOSS  |              | ME25632005    | 1     |
| 9  | ARANDELA PRECINTO EMBRAGUE / CLUTCH LOCK WASHER                    |              | ME25632022    | 1     |
| 10 | TUERCA FIJ. CUBO EMBRAGUE / CLUTCH BOSS NUT                        |              | ME25632028    | 1     |
| 11 | GOMA SILENBLOCK / SILENBLOCK RUBBER                                |              | ME20932008    | 8     |
| 12 | REMACHES CAMPANA EMBRAGUE / PRIMARY DRIVEN GEAR RIVETS             |              | ME250132010   | 8     |
| 13 | ARANDELA CORONA EMBRAGUE / CLUTCH BOSS WASHER                      |              | ME20932009    | 1     |
| 14 | DISCO EMBRAGUE HIERRO / IRON CLUTCH DISK                           |              | ME25632037    | 7     |
| 15 | DISCO EMBRAGUE FORRADO / COVERED CLUTCH DISK                       |              | ME25632007    | 8     |
| 16 | BOLET EMBRAGUE / CLUTCH PIN  |              | ME25632014    | 1     |
| 17 | PLACA AGUJA Y VALV. ESCAPE / EXHAUST PIN WASHER                    |              | ME25632016    | 1     |
| 18 | JAULA AGUJA VALV. ESCAPE / NEEDLES BEARING                         |              | ME25632046    | 1     |
| 19 | PRENSA EMBRAGUE / PRESSURE PLATE                                   |              | ME25632006    | 1     |
| 20 | SEEGER EJE 15 EMBRAGUE / CLUTCH SEEGER AXLE 15                     |              | ME25632017    | 1     |
| 21 | ALLEN 6X20 TA. EMBRAGUE,CART,SUSP. / ALLEN BOLT 6X20               |              | T0306020      | 6     |
| 22 | CASQ. MUELLE EMBRAGUE ALUMINIO / ALUMINIUM CLUTCH SPRING BUSHING   |              | ME250032020   | 6     |
| 23 | MUELLE EMBRAGUE / CLUTCH SPRING                                    |              | ME25632015    | 6     |
| 24 | VARILLA EMBRAGUE / CLUTCH ROD                                      |              | ME25632040    | 1     |
| 25 | TAPÓN SANGRADOR / BLEEDER CAP                                      |              | BE25622055    | 1     |
| 26 | SANGRADOR / BLEEDER  |              | BE25622060    | 1     |
| 27 | ARANDELA LATIGUILLO / HOSE WASHER                                  |              | BE25622007    | 2     |
| 28 | PINZA EMBRAGUE HIDRA. / HYDRAULIC CLUTCH CALIPER                   |              | ME25632026    | 1     |
| 29 | TORICA BOMBA EMBRAGUE / CLUTCH PUMP O'RING                         |              | ME25632024    | 1     |
| 30 | KIT PINZA EMBRAGUE / CLUTCH CALIPER KIT                            |              | BE25622050    | 1     |
| 31 | RACORD PINZA EMBRAGUE / RACORD CLUTCH CALIPER                      |              | M01060000     | 1     |
| 32 | TORNILLO ESPECILA 6X20 / SPECIAL SCREW                             |              | T0206020      | 1     |

**GAS GAS**

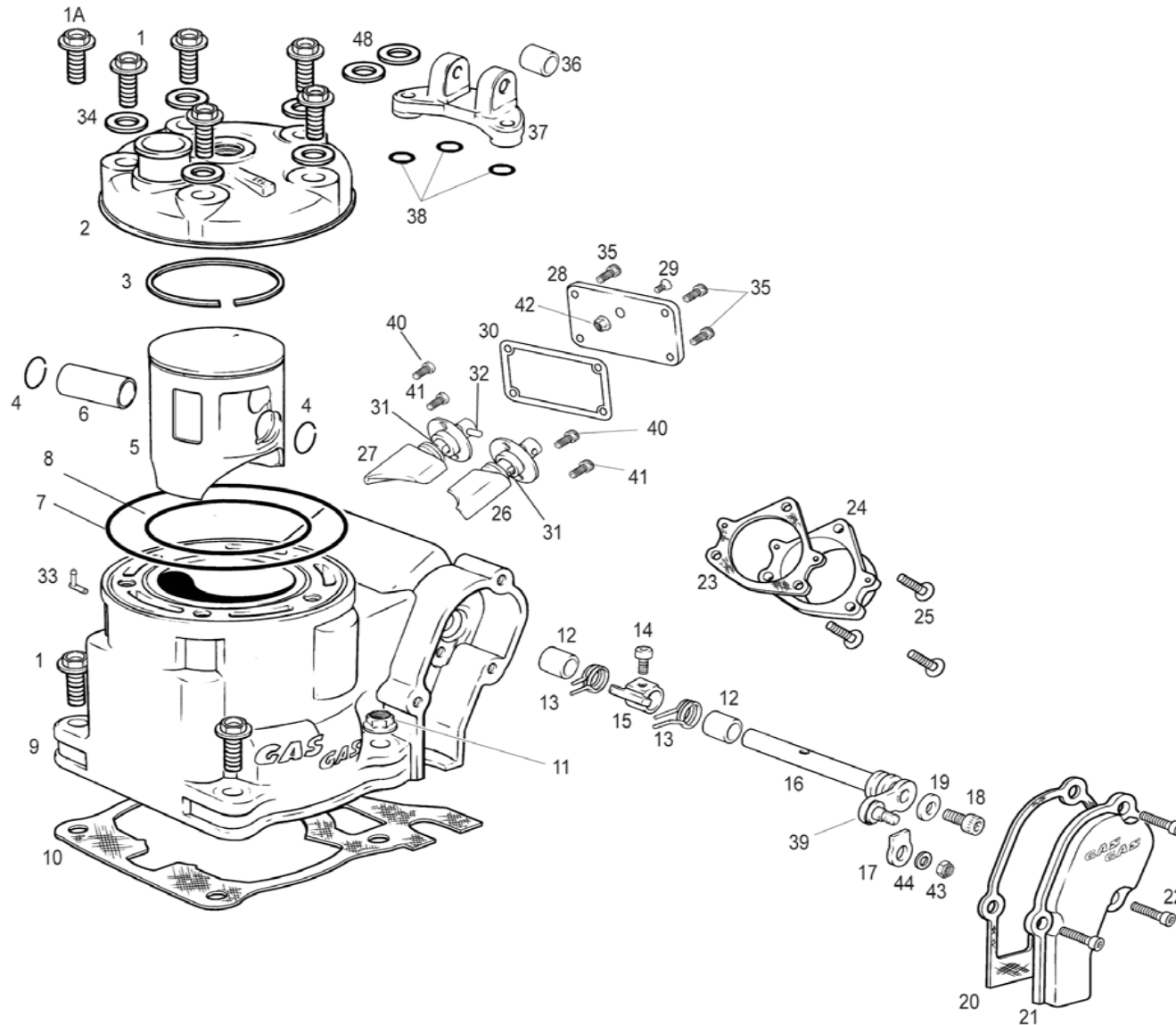
**Motor 15**

**Cilindro - Culata /  
Cylinder - Cyl. head**

**GAS GAS**

**ECIMCISM 2007**

**125cc.**



| Nº  | DESCRIPCION / DESCRIPTION  | 125         | Cant. |
|-----|--|-------------|-------|
| 1A  | TORNILLO ESPECIAL 8X55 / SPECIAL BOLT                            | T0208055    | 3     |
| 1   | HEXAGONAL 8X40 CON ARANDELA / HEXAGONAL BOLT WITH WASHER         | T0208040    | 4     |
| 2   | CULATA TT125CC / 125 CYLINDER HEAD                               | ME120316000 | 1     |
| 2   | CULATA / CYLINDER HEAD   | MC120316000 | 1     |
| 3   | ARO PISTÓN 0,8 / PISTON RING                                     | ME120516040 | 1     |
| 4   | CLIP BULÓN / PISTON PIN DIPS                                     | ME120116126 | 2     |
| 5   | PISTÓN TT125CC PLANO / FLAT 125 PISTON                           | ME120516020 | 1     |
| 5A  | PISTÓN B / PISTON  | ME120516121 | 1     |
| 5B  | PISTÓN C / PISTON  | ME120516122 | 1     |
| 5C  | PISTÓN D / PISTON  | ME120516123 | 1     |
| 6   | BULÓN PISTÓN / PISTON PIN  | ME120116125 | 1     |
| 7   | TÓRICA CULATA EXT. 1.78X91.7 / OUTER CYLINDER HAED O'RING        | ME120116060 | 1     |
| 8   | TÓRICA CULATA INT. VITON 1.78X63.22 / INNER CYLINDER HEAD O'RING | ME120116065 | 1     |
| 9   | CILINDRO TT 125CC / 125 CYLINDER                                 | ME120516022 | 1     |
| 10  | JUNTA CILINDRO EC125 0.5 / CYLINDER GASKET 0,5                   | ME120144000 | 1     |
| 10A | JUNTA CILINDRO 0,3 / CYLINDER GASKET 0,3                         | ME120144009 | 1     |
| 10B | JUNTA CILINDRO 0,15 / CYLINDER GASKET 0,15                       | ME120144010 | 1     |
| 11  | TUERCA CILINDRO M8 DC08FN1 / CYLINDER NUT                        | ME120116031 | 2     |
| 12  | CASQUILLO EJE VÁLVULA ESCAPE / EXHAUST VALVE AXLE BUSHING        | ME120116051 | 2     |
| 13  | MUELLE EJE VÁLVULA ESCAPE / EXHAUST VALVE AXLE SPRING            | ME120116052 | 2     |
| 14  | ALLEN ESPECIAL 4X8 / SPECIAL 4X8 ALLEN SCREW                     | T0304008    | 1     |
| 15  | PALANCA MUELLE VÁLVULA / LEVER VALVE SPRING                      | ME120116053 | 1     |
| 16  | EJE VÁLVULA ESCAPE CILINDRO EC125 / EXHAUST VALVE AXIS           | ME120116017 | 1     |
| 17  | PLANCHA FIJACIÓN EJE VÁLVULA / EXHAUST AXLE VALVE PLATE          | ME120116114 | 1     |
| 18  | ALLEN 5X10 / ALLEN BOLT 5X10                                     | T0305010    | 1     |
| 19  | ARANDELA 5X12X1,5 / 5X12X1,5 WASHER                              | T4005012    | 1     |
| 20  | JUNTA TAPA VÁLV. DRCHO. 1MM / RIGHT VALVE COVER GASKET 1MM       | ME120144007 | 1     |
| 21  | TAPA VÁLVULA DRCHA. EC125 / RIGHT VALVE COVER                    | ME120110002 | 1     |
| 22  | ALLEN 5X12 / ALLEN BOLT 5X12                                     | T0305012    | 3     |
| 23  | JUNTA ESCAPE / EXHAUST GASKET                                    | ME120144012 | 1     |
| 24  | TUBERA ESCAPE AL. / EXHAUST PIPE                                 | ME120316019 | 1     |
| 25  | HEXAGONAL CON ARANDELA 6X14 / 6X14 HEXAGONAL BOLT WITH WASHER    | T0206014    | 3     |
| 26  | VÁLVULA ESCAPE DERECHA / LEFT EXHAUST VALVE                      | ME120516016 | 1     |

**GAS GAS**

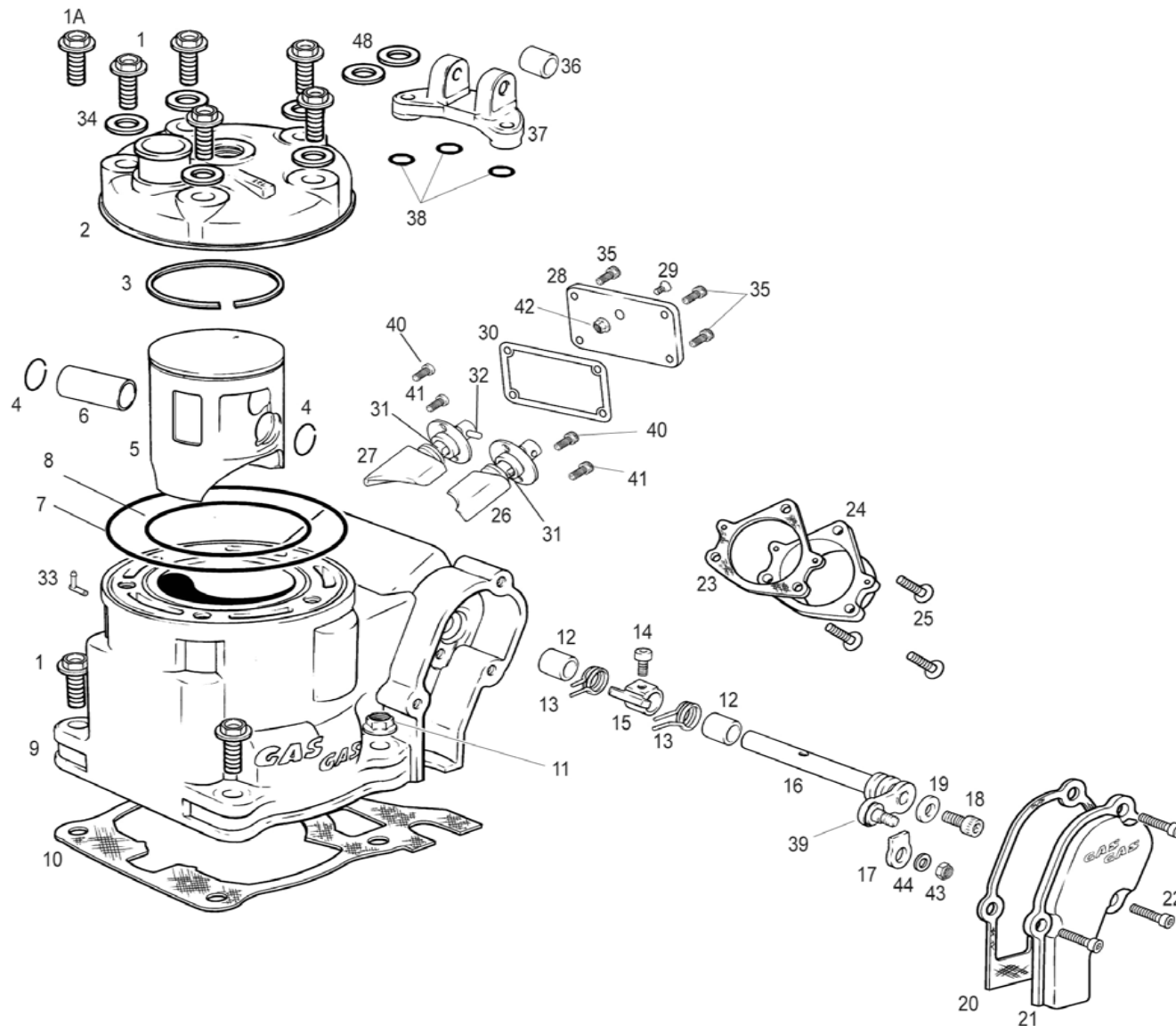
**Motor 16**

**Cilindro - Culata /  
Cylinder - Cyl. head**

**GAS GAS**

**ECIMCISM 2007**

**125cc.**





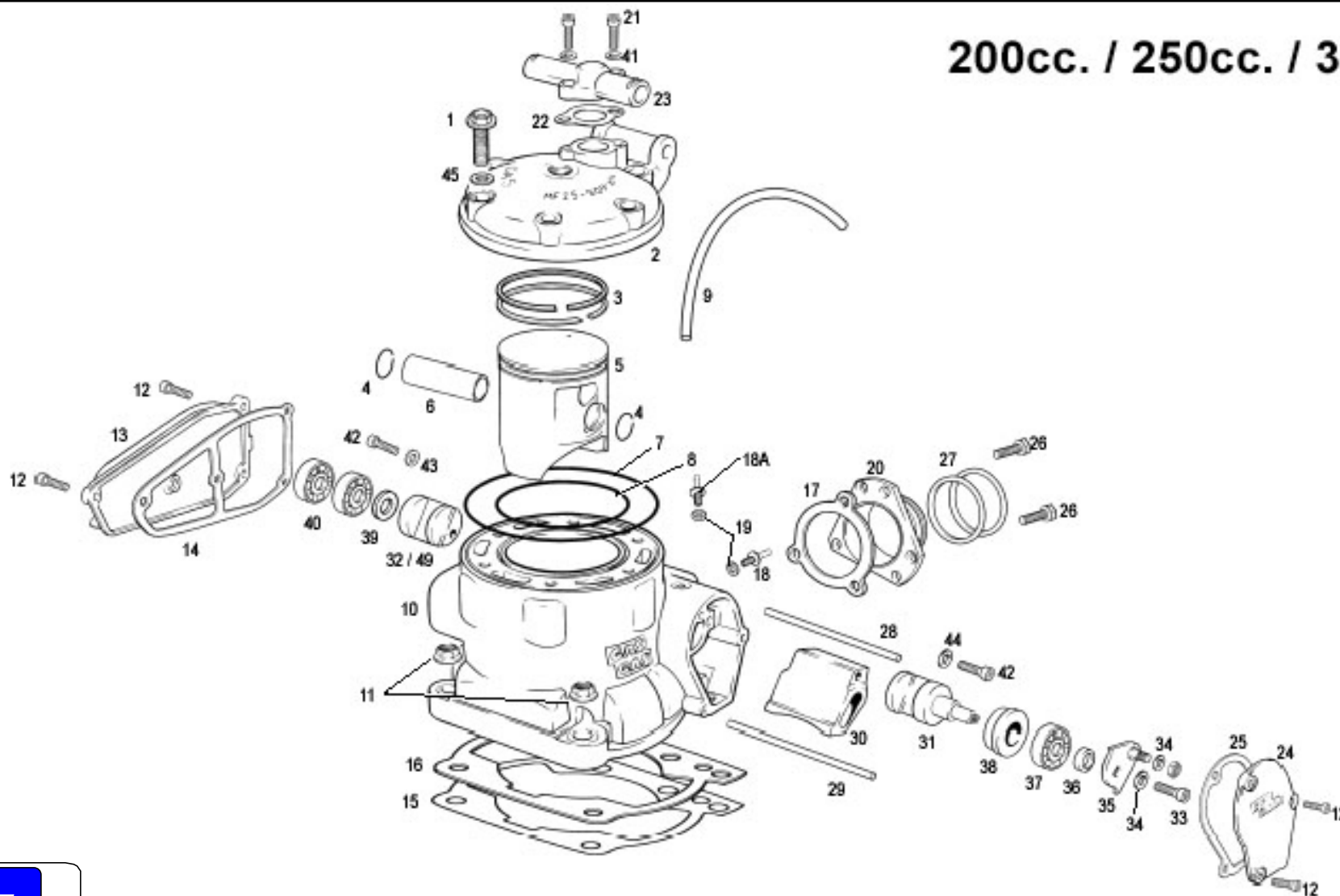
| Nº | DESCRIPCION / DESCRIPTION  | 125         | Cant. |
|----|--|-------------|-------|
| 27 | VÁLVULA ESCAPE IZQUIERDA / RIGHT EXHAUST VALVE                       | ME120516014 | 1     |
| 28 | TAPA VÁLVULA CENTRAL / CENTRAL VALVE COVER                           | ME120510003 | 1     |
| 29 | ALLEN CÓNICO M6X10 / M6X10 CONIC ALLEN                               | T0406010    | 1     |
| 30 | JUNTA VÁLVULA CENTRAL / CENTRAL VALVE GASKE                          | ME120144006 | 2     |
| 31 | GUÍA VÁLVULA ESCAPE / EXHAUST GUIDE VALVE                            | ME120516054 | 2     |
| 32 | AGUJA VÁLVULA ESCAPE / EXHAUST NEEDLE VALVE                          | ME120216055 | 2     |
| 33 | DESVAPORIZADOR / DESVAP.   | MIT50010012 | 1     |
| 34 | ARANDELA COBRE 8X16X1,5 / 8X16X1,5 WASHER                            | T4008516    | 5     |
| 35 | TORNILLO ULS 5X10 / 5X10 ULS BOLT                                    | T0505010    | 4     |
| 36 | CASQUILLO SOPORTE TIRANTE CULATA CROSS / CYLINDER HEAD BRACE BUSHING | BC120310149 | 1     |
| 37 | SOPORTE TIRANTE CULATA CROSS 125 / CYLINDER HEAD BRACE SUPPORT       | BC120310049 | 1     |
| 38 | TÓRICA SOPORTE TIRANTE CULATA 12.42x1.78 CROSS / SUPPORT O'RING      | BC120310170 | 3     |
| 39 | PALANCA VÁLVULA ESCAPE EC125 / EXHAUST VALVE LEVER                   | ME120116050 | 1     |
| 40 | ALLEN 5x12 / 5X12 ALLEN BOLT   | T0305012    | 2     |
| 41 | TORNILLO UFK M5x12 / UFK 5X12 BOLT                                   | T0315012    | 1     |
| 42 | TUERCA CON ARANDELA ESTRIADA M6 / M6 NUT WITH WASHER                 | T2206000    | 1     |
| 43 | TUERCA AUTOBL. M5 / SELF-LOCKING NUT M5                              | T2105001    | 1     |
| 44 | ARANDELA 5X12X1.5 / WASHER 5X12X1.5                                  | T4005012    | 1     |
| 45 | SOPORTE VÁLVULA AIS / AIS VALVE SUPPORT                              | BE250626063 | 1     |
| 46 | VÁLVULA AIS  | BE050526060 | 1     |
| 47 | ALLEN 6X10 / 6X10 ALLEN BOLT   | T0306010    | 2     |
| 48 | ARANDELA 8X16X1,5  | T4008016    | 2     |
|    |  |             |       |
|    |  |             |       |
|    |  |             |       |
|    |  |             |       |
|    |  |             |       |
|    |  |             |       |
|    |  |             |       |
|    |  |             |       |
|    |  |             |       |

**Cilindro - Culata /  
Cylinder - Cyl. head**

**GAS GAS**

**ECIMCISM 2007**

**200cc. / 250cc. / 300cc.**



| Nº  | DESCRIPCION / DESCRIPTION                                     | 200         | 250           | 300         | Cant. |
|-----|---|-------------|---------------|-------------|-------|
| 1   | HEXAGONAL 8X40 / HEXAGONAL BOLT 8X40                          | -           | T0218040      | -           | 6     |
| 2   | CULATA / CYLINDER HEAD  | ME200216000 | ME250016000   | ME300016000 | 1     |
| 2A  | CULATA SM / SM CYLINDER HEAD                                  | -           | MC250116000   | -           | 1     |
| 3   | JUEGO AROS PISTON / PISTON RINGS SET                          | ME20916040  | ME25616040    | ME30916040  | 1     |
| 4   | CLIP BULÓN / PISTON PIN CLIPS                                 | -           | ME25616126    | -           | 2     |
| 5   | PISTÓN (*) / PISTON (*)                                       | ME20816020  | ME25616020    | ME300416020 | 1     |
| 6   | BULÓN PISTÓN / PISTON PIN                                     | -           | ME25616125    | -           | 1     |
| 7   | TÓRICA CULATA EXTERIOR / OUTER CYLINDER HEAD O'RING           | M01619135   | ME25916060    | ME25916060  | 1     |
| 8   | TÓRICA CULATA INTERIOR / INNER CYLINDER HEAD O'RING           | ME25916065  | ME25916065    | ME30916065  | 1     |
| 9   | TUBO DESVAPORIZADOR CARTER / CARTER BREATH TUBE               | -           | ME25610022    | -           | 1     |
| 10  | CILINDRO / CYLINDER   | ME20916022  | ME25916022    | ME300216022 | 1     |
| 11  | TUERCA CILINDRO ESPECIAL 10/150 / CYLINDER NUT 10/150         |             | M01613001     |             | 4     |
| 12  | TORNILLO ESPECIAL 5X15 / SPECIAL BOLT 5X15                    |             | T0205015      |             | 7     |
| 13  | TAPA VÁLVULA IZQUIERDA / LEFT VALVE COVER                     |             | ME25610003    |             | 1     |
| 14  | JUNTA TAPA VÁLVULA IZQUIERDA / LEFT VALVE COVER GASKET        |             | ME25644006    |             | 1     |
| 15  | JUNTA CILINDRO 0,15 / CYLINDER GASKET 0.15                    |             | ME25644010    |             | 1     |
| 16  | JUNTA CILINDRO 0,5 / CYLINDER GASKET 0,5                      |             | ME25644000    |             | 1     |
| 16A | JUNTA CILINDRO 0,3 / CYLINDER GASKET 0,3                      |             | ME25644009    |             | 1     |
| 17  | JUNTA ESCAPE / EXHAUST GASKET                                 |             | ME25644012    |             | 1     |
| 18  | DESVAPORIZADOR DIAM. 0,5 / 0,5 DEVAP.                         |             | ME25710012    |             | 2     |
| 18A | DESVAPORIZADOR DIAM. 3 / 3 DEVAP.                             |             | ME25610012    |             | 2     |
| 19  | ARANDELA FIBRA 6X10X1,5 / FIBER WASHER 6X10X1,5               |             | T4006010      |             | 2     |
| 20  | TUBERA ESCAPE / EXHAUST PIPE                                  |             | ME250516019   |             | 1     |
| 21  | ALLEN 6X20 / ALLEN BOLT 6X20                                  |             | T0306020      |             | 3     |
| 22  | JUNTA TAPA TERMOSTATO / THERMOSTAT COVER GASKET               |             | ME25944011    |             | 1     |
| 23  | TAPA TERMOSTATO / THERMOSTAT COVER                            |             | ME250316001   |             | 1     |
| 24  | TAPA VÁLVULA DERECHA / RIGHT VALVE COVER                      |             | ME25610002    |             | 1     |
| 25  | JUNTA TAPA VÁLV. DERECHA 1MM. / RIGHT VALVE COVER GASKET 1MM  |             | ME25644007    |             | 1     |
| 26  | HEXAGONAL CON ARANDELA 6X14 / 6X14 HEX. BOLT WITH WASHER      |             | T0206014      |             | 3     |
| 27  | TÓRICA TUBERA ESCAPE VITON 44X3 / EXHAUST PIPE O'RING 44X3    |             | BE250526006   |             | 2     |
| 28  | EJE VÁLVULA ESC. LARGO 93 MM. / LONG EXHAUST VALVE AXIS 93MM  |             | ME25616027    |             | 1     |
| 29  | EJE VÁLVULA ESC. CORTO 83 MM. / SHORT EXHAUST VALVE AXIS 83MM |             | ME25616017    |             | 1     |
| 30  | VÁLVULA ESCAPE CENTRAL / CENTRAL EXHAUST VALVE                | ME20916015  | ME250616015-1 |             | 1     |

**GAS GAS**

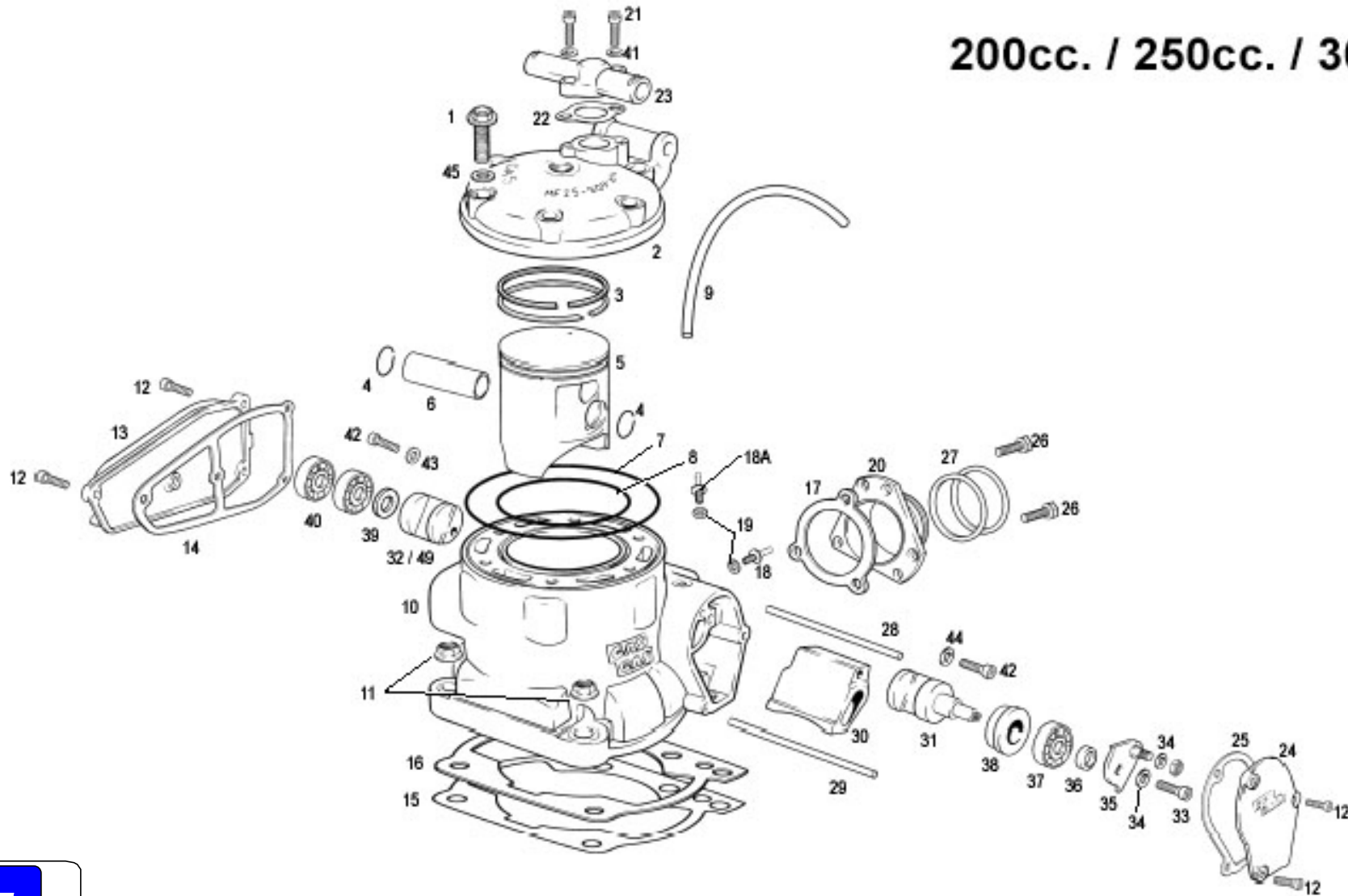
**Motor 17**

**Cilindro - Culata /  
Cylinder - Cyl. head**

**GAS GAS**

**ECIMCISM 2007**

**200cc. / 250cc. / 300cc.**

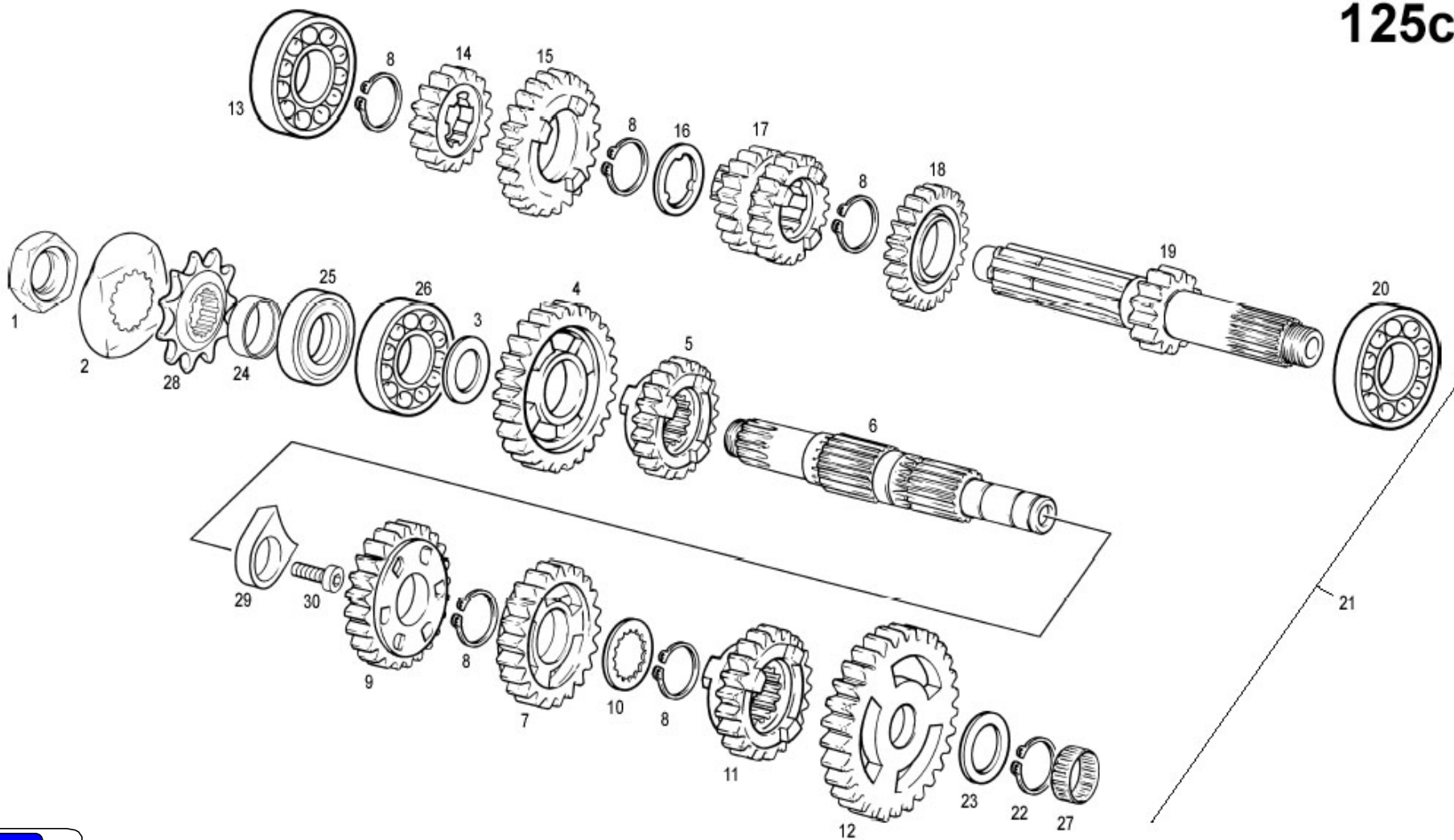


| Nº  | DESCRIPCION / DESCRIPTION                                     | 200         | 250         | 300         | Cant. |
|---|---|-------------|-------------|-------------|-------|
| 31  | VÁLVULA ESCAPE DERECHA / RIGHT EXHAUST VALVE                  |             | ME25616016  |             | 1     |
| 32  | VÁLVULA ESCAPE IZQUIERDA / LEFT EXHAUST VALVE                 |             | ME25616014  |             | 1     |
| 33  | ALLEN 5x12 / ALLEN BOLT 5x12                                  |             | T0305012    |             | 1     |
| 34  | ARANDELA PLANA 5X12X1,5 / PLAIN WASHER 5X12X1.5               |             | T4005012    |             | 2     |
| 35  | CTO. PALANCA VÁLVULA ESCAPE / EXHAUST VALVE BRACKET SET       |             | ME25616050  |             | 1     |
| 36  | SEP. COJINETE VÁLV. ESC. / EXHAUST VALVE BEARING SPACER       |             | ME25916048  |             | 1     |
| 37  | RODAMIENTO BOMBA AGUA / WATER PUMP BEARING                    |             | ME25610010  |             | 1     |
| 38  | DIST. COJINETE VÁLVULA ESCAPE / EXHAUST VALVE BEARING SPACER  |             | ME25616036  |             | 1     |
| 39  | ARANDELA DE 8X16X1,5 / WASHER 8X16X1.5                        |             | T4008016    |             | 1     |
| 40  | RODAMIENTO EJE CENTRÍFUGO Y BOMBA / AXIS BEARING              |             | ME25616032  |             | 2     |
| 41  | ARANDELA COBRE 6X10X1,5 / 6X10X1,5 WASHER                     |             | ME25916002  |             | 2     |
| 42  | ALLEN 6X10 / 6X10 ALLEN BOLT                                  |             | T0306010    |             | 2     |
| 43  | ARANDELA 6X18X1,5 / 6X18X1,5 WASHER                           |             | T4006018    |             | 1     |
| 44  | ARANDELA 6X12X1,5 / 6X12X1,5 WASHER                           |             | T4006012    |             | 1     |
| 45  | ARANDELA COBRE 8X16X1,5 / 8X16X1,5 WASHER                     |             | T4008516    |             | 6     |
| 46  | SOPORTE VÁLVULA AIS / AIS VALVE SUPPORT                       |             | BE250626063 |             | 1     |
| 47  | VÁLVULA AIS / AIS VALVE                                       |             | BE050526060 |             | 1     |
| 48  | ALLEN 6X10 / 6X10 ALLEN BOLT                                  |             | T0306010    |             | 2     |
| 49  | VÁLVULA ESCAPE IZQ HOMOLOGADA / ACCREDITED LEFT EXHAUST VALVE | ME25616014H | ME25616014H | ME25616014H | 1     |
| (*)   | PISTÓN TIPO B / B TYPE PISTON                                 | ME20816121  | ME25616121R | ME300416121 | 1     |
|   | PISTÓN TIPO C / C TYPE PISTON                                 | ME20816122  | ME25616122R | ME300416122 | 1     |
|   | PISTÓN TIPO D / D TYPE PISTON                                 | ME20816123  | ME25616123R |             | 1     |
|   | PISTÓN TIPO F / F TYPE PISTON                                 | ME20816125  |             |             | 1     |
| <b>Solo Motocross MC / Only Motocross MC bike</b> |   |             |             |             |       |
| Nº  | DESCRIPCION / DESCRIPTION                                     | 200         | 250         | 300         | Cant. |
| 2   | CULATA / CYLINDER HEAD  |             | MC250116000 |             | 1     |
|   |   |             |             |             |       |
|   |   |             |             |             |       |
|   |   |             |             |             |       |
|   |   |             |             |             |       |
|   |   |             |             |             |       |

**GAS GAS**

**Motor 17**

**125cc.**

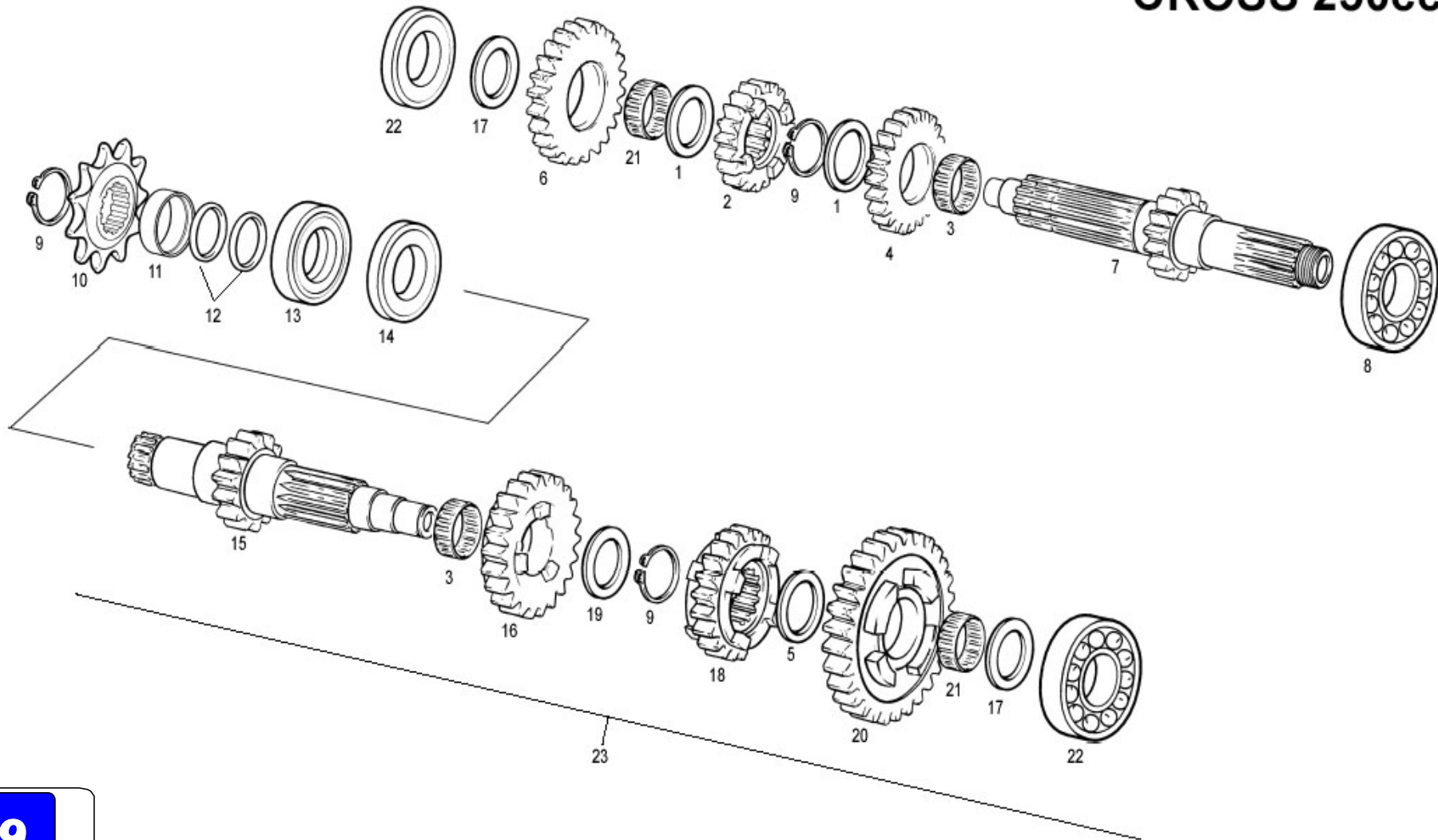


| Nº  | DESCRIPCION / DESCRIPTION   | 125         | Cant. |
|-----|---|-------------|-------|
| 1   | TUERCA PIÑÓN SALIDA / FRONT SPROCKET NUT                            | ME120136021 | 1     |
| 2   | ARANDELA PRECINTO PIÑÓN SALIDA / FRONT SPROCKET NUT WASHER          | ME120136121 | 1     |
| 3   | ARANDELA CAMBIO 2MM. / 2MM. SHIFT WASHER                            | ME120136101 | 1     |
| 4   | PIÑÓN SECUNDARIO II 2MM. / SECONDARY GEAR II                        | ME120136077 | 1     |
| 5   | PIÑÓN SECUNDARIO VI / SECONDARY GEAR VI                             | ME120136081 | 1     |
| 6   | EJE SECUNDARIO / SECONDARY AXIS                                     | ME120136075 | 1     |
| 7   | PIÑÓN SECUNDARIO IV / SECONDARY GEAR IV                             | ME120136079 | 1     |
| 8   | CIRCLIP D.22 DIN 471 / CIRCLIP DIN 471                              | MT280236166 | 5     |
| 9   | PIÑÓN SECUNDARIO III / SECONDARY GEAR III                           | ME120136078 | 1     |
| 10  | ARANDELA A22X19,5 DIN7480 / A22X19,5 DIN7480 WASHER                 | ME120136091 | 1     |
| 11  | PIÑÓN SECUNDARIO V / SECONDARY GEAR V                               | ME120136080 | 1     |
| 12  | PIÑÓN SECUNDARIO I / SECONDARY GEAR I                               | ME120536076 | 1     |
| 13  | RODAMIENTO CAMBIO 6202C3 / SHIFT BEARING                            | ME120136057 | 1     |
| 14  | PIÑÓN PRIMARIO II / PRIMARY GEAR II                                 | ME120136071 | 1     |
| 15  | PIÑÓN PRIMARIO VI / PRIMARY GEAR VI                                 | ME120136074 | 1     |
| 16  | ARANDELA ESTRIADA 3 PUNTAS 18,25X22,15X0,5 / 18,25X22,15X0,5 WASHER | ME120136100 | 1     |
| 17  | PIÑÓN PRIMARIO III Y IV / PRIMARY GEAR III AND IV                   | ME120136072 | 1     |
| 18  | PIÑÓN PRIMARIO V / PRIMARY GEAR V                                   | ME120136073 | 1     |
| 19  | EJE PRIMARIO / PRIMARY AXIS   | ME120136070 | 1     |
| 20  | RODAMIENTO CAMBIO 6204ZC4 / SHIFT BEARING                           | ME120136056 | 1     |
| 21  | CTO. GRUPO CAMBIO COMPLETO EC125-2001 / SHIFT GEAR SET              | ME120536010 | 1     |
| 22  | CIRCLIP D15 DIN471 / D15 DIN471 CIRCLIP                             | ME25632017  | 1     |
| 23  | ARANDELA 15,15X24X0,4 / 15,15X24X0,4 WASHER                         | ME120136012 | 1     |
| 24  | CASQUILLO PIÑÓN SALIDA / FRONT SPROCKET BUSH                        | ME120136046 | 1     |
| 25  | RETÉN 28X38X7 / FRONT SPROCKET SEAL                                 | ME120136024 | 1     |
| 26  | RODAMIENTO 6304C3 / 6304C3 BEARING                                  | ME120136058 | 1     |
| 27  | RODAMIENTO TR15X25X12 / TR15X25X12 BEARING                          | ME120136157 | 1     |
| 28  | PIÑÓN SALIDA T13 / FRONT SPROCKET                                   | ME120136025 | 1     |
| 28A | PIÑÓN SALIDA T12  | ME120736025 | 1     |
| 29  | FIJADOR COJINETE SALIDA CAMBIO / SHIFT OUTER BEARING HOLDER         | ME120336104 | 1     |
| 30  | TORNILLO UFK M5X12 / UFK SCREW M5X12                                | T0315012    | 1     |
|     |   |             |       |
|     |   |             |       |

**GAS GAS**

**Motor 18**

**CROSS 250cc.**



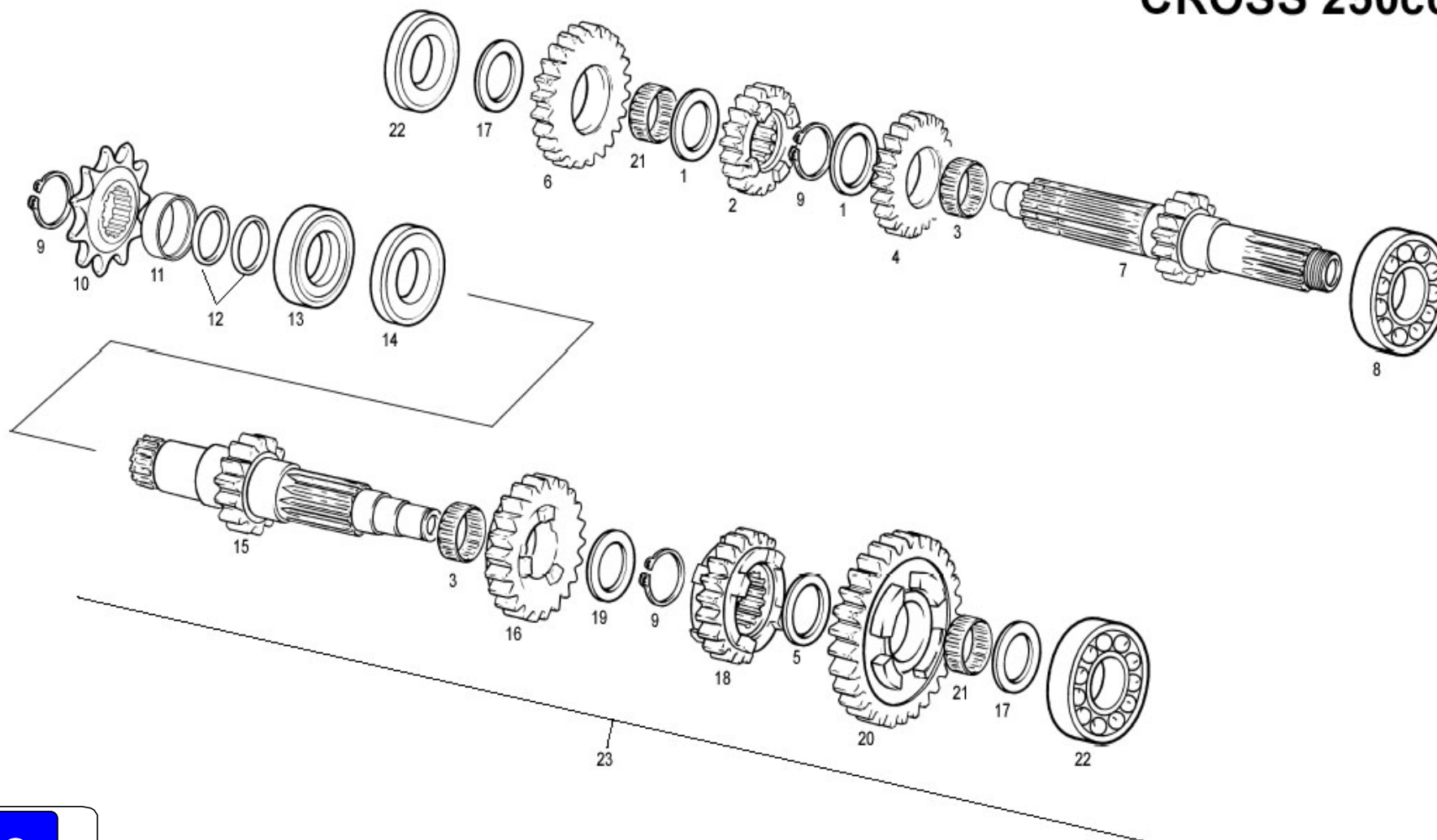


| Nº  | DESCRIPCION / DESCRIPTION                              | 200/250/300 | Cant. |
|-----|--|-------------|-------|
| 1   | ARANDELA 18X31,5X0,7 CAMBIO / SHIFT WASHER 18X31.5X0.7 | ME25636014  | 2     |
| 2   | PIÑÓN PRIMARIO II / PRIMARY GEAR II                    | ME25636071  | 1     |
| 3   | CIRCLIP D.25 DIN 471 REBAJADO / CIRCLIP DIN 471        | ME25936084  | 5     |
| 4   | ARANDELA 31,5X1 ESTRIADA / LOCK WASHER 31.5X1          | ME25636091  | 2     |
| 5   | PIÑÓN PRIMARIO VI / PRIMARY GEAR VI                    | ME25636074  | 1     |
| 6   | PIÑÓN PRIMARIO III Y IV / PRIMARY GEAR III & IV        | ME25636072  | 1     |
| 7   | ARANDELA 25,2X31,5X1 CAMBIO / SHIFT WASHER 25.2X31.5X1 | ME25636017  | 2     |
| 8   | PIÑÓN PRIMARIO V / PRIMARY GEAR V                      | ME25636073  | 1     |
| 9   | COJINETE AGUJAS K25-29-10 / NEEDLES BEARING K25-29-10  | M02616000   | 1     |
| 10  | EJE PRIMARIO I / PRIMARY AXIS GEAR I                   | ME25636070  | 1     |
| 11  | EJE SECUNDARIO / SECONDARY AXIS                        | ME250236075 | 1     |
| 12  | CIRCLIP D.25 DIN.983 / CIRCLIP D.25 DIN                | ME25636095  | 1     |
| 13  | PIÑÓN SECUNDARIO II / SECONDARY GEAR II                | ME25636077  | 1     |
| 14  | PIÑÓN SECUNDARIO VI / SECONDARY GEAR VI                | ME250136081 | 1     |
| 15  | PIÑÓN SECUNDARIO III / SECONDARY GEAR III              | ME25636078  | 1     |
| 16  | PIÑÓN SECUNDARIO IV / SECONDARY GEAR IV                | ME25636079  | 1     |
| 17  | PIÑÓN SECUNDARIO V / SECONDARY GEAR V                  | ME25636080  | 1     |
| 18  | ARANDELA 20,8X29X1 CAMBIO / SHIFT WASHER 20.8X29X1     | ME25636016  | 1     |
| 19  | ROD. AGUJ. K20X24X10 / NEEDLES BEARING K20X24X10       | ME25636059  | 1     |
| 20  | PIÑÓN SECUNDARIO I / SECONDARY GEAR I                  | ME25636076  | 1     |
| 21  | GRUPO CAMBIO COMPLETO / SHIFT GEAR SET                 | ME250236010 | 1     |
| 22  | PIÑÓN SALIDA Z.13 / OUTER SPROCKET Z13                 | ME25636025  | 1     |
| 22A | PIÑÓN SALIDA Z.12 / OUTER SPROCKET Z12                 | MF25836025  | 1     |
| 23  | DOLLA RETÉN SALIDA CAMBIO / SIFHT SEAL                 | ME25636046  | 1     |
| 24  | TÓRICA 25X2 NBR PIÑ.SAL. / O'RING 25X2 NBR             | ME25632025  | 2     |
| 25  | RODAMIENTO CAMBIO 6305 / SHIFT BEARING 6305            | ME25636058  | 1     |
| 26  | RODAMIENTO CAMBIO 6203 / SHIFT BEARING 6203            | ME25636057  | 2     |
| 27  | RODAMIENTO CAMBIO 6205ZC3E / SHIFT BEARING 6205ZC3E    | ME250136056 | 1     |
| 28  | RETÉN / SEAL   | ME25636024  | 1     |
| 29  | JAULA AGUJAS KD22X25X9,8 / KD22X25X9,8 NEEDLES BEARING | ME250236102 | 2     |
|     |  |             |       |
|     |  |             |       |
|     |  |             |       |

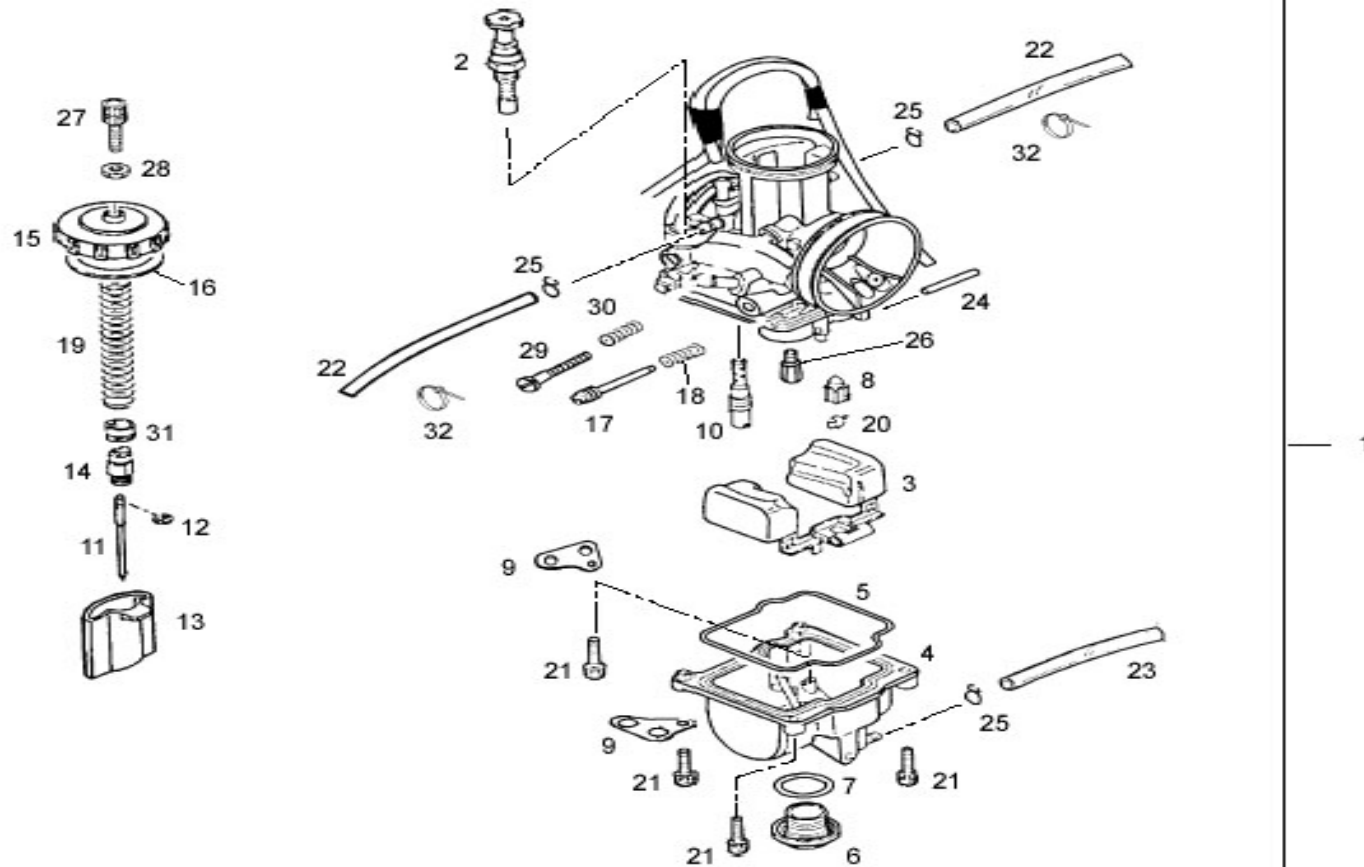
**GAS GAS**

**Motor 19**

**CROSS 250cc.**



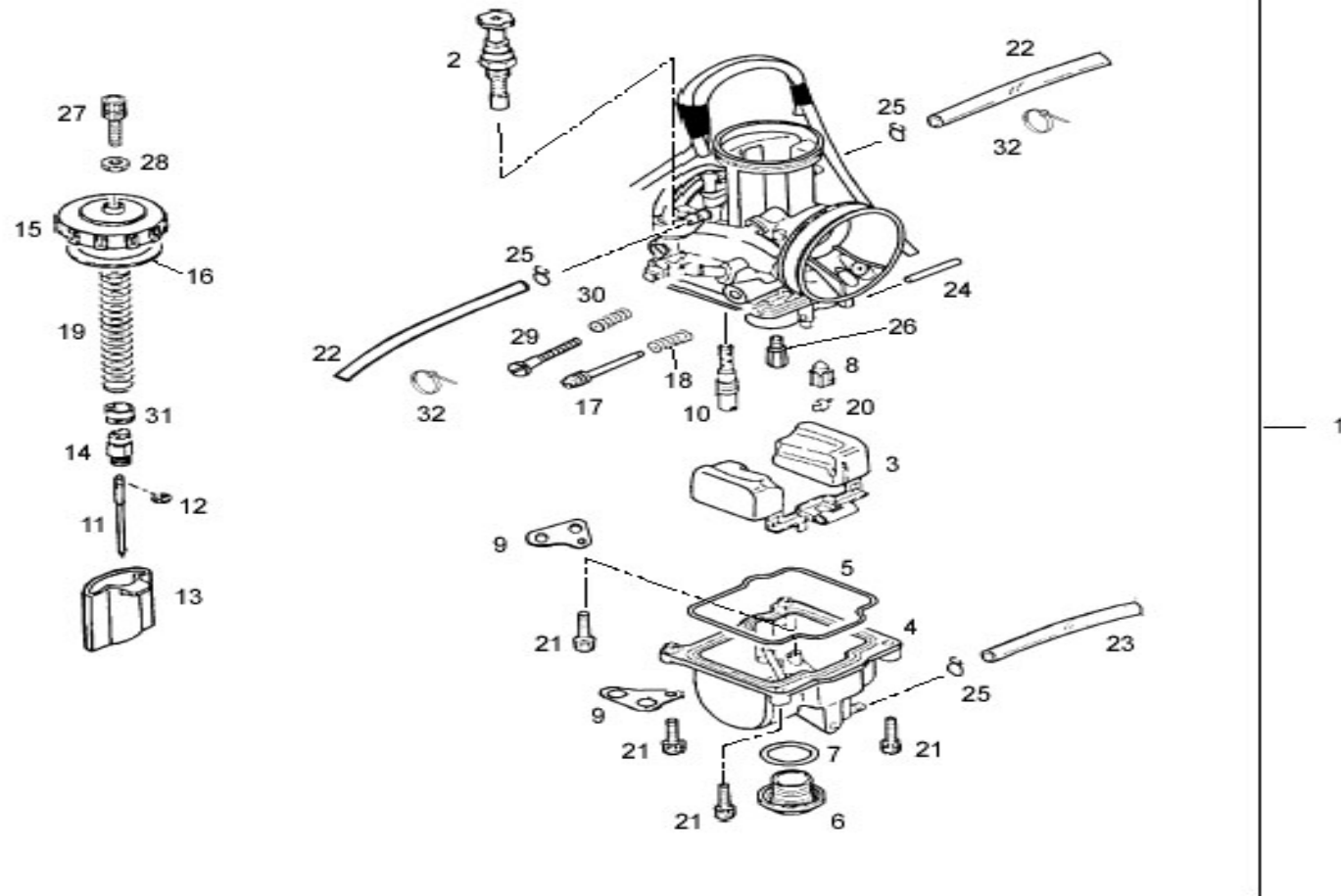
| Nº | DESCRIPCION / DESCRIPTION                                 | MC 250      | Cant. |
|----|---|-------------|-------|
| 1  | ARANDELA / SHIFT WASHER                                   | ME25636016  | 2     |
| 2  | PIÑÓN PRIMARIO II / PRIMARY GEAR II                       | MC25836071  | 1     |
| 3  | COJINETE AGUJAS K25-29-13 EMBRAGUE / NEEDLES BEARING      | ME120132031 | 2     |
| 4  | PIÑÓN PRIMARIO III / PRIMARY GEAR III                     | MC25836072  | 1     |
| 5  | ARANDELA 20.8X29X1 CAMBIO / 20.8X29X1 SHIFT WASHER        | ME25636016  | 1     |
| 6  | PIÑÓN PRIMARIO IV / PRIMARY GEAR IV                       | MC25836073  | 1     |
| 7  | EJE PRIMARIO I / PRIMARY AXIS                             | MC25836070  | 1     |
| 8  | RODAMIENTO CAMBIO 6205-RS1/C3 / 6205-RS1/C3 SHIFT BEARING | ME250136056 | 3     |
| 9  | CIRCLIP D.25 DIN 471 REBAJADO / CIRCLIP                   | ME25936084  | 1     |
| 10 | PIÑÓN SALIDA Z13 / OUTER SPROCKET Z13                     | ME25636025  | 1     |
| 11 | DOLLA RETÉN SALIDA CAMBIO / SHIFT SEAL                    | ME25636046  | 2     |
| 12 | TÓRICA 25X2 NBR PIÑÓN SALIDA / 25X2 O-RING                | ME25632025  | 1     |
| 13 | RETÉN 30X40X7 DOBLE LABIO PIÑÓN SALIDA / SEAL             | ME25636024  | 1     |
| 14 | RODAMIENTO CAMBIO 6305 / 6305 SHIFT BEARING               | ME25636058  | 1     |
| 15 | EJE SECUNDARIO IV / SECONDARY AXIS                        | MC25836075  | 1     |
| 16 | PIÑÓN SECUNDARIO II / SECONDARY GEAR II                   | MC25836077  | 2     |
| 17 | ARANDELA 18X31.5X1 REG.PRIMARIO / 18X31,5X1 WASHER        | ME25636013  | 1     |
| 18 | PIÑÓN SECUNDARIO III / SECONDARY GEAR III                 | MC25836078  | 1     |
| 19 | ARANDELA 25.2X31.5X1 CAMBIO / 25.2X31.5X1 SHIFT WASHER    | ME25636017  | 2     |
| 20 | PIÑÓN SECUNDARIO I / SECONDARY GEAR I                     | MC25836076  | 2     |
| 21 | COJIENTE CAMBIO 20X24X13 / SHIFT BEARING                  | MC25836059  | 1     |
| 22 | RODAMIENTO CAMBIO 6203 C3 / 6203 C3 SHIFT BEARING         | ME25636057  | 2     |
| 23 | GRUPO CAMBIO CROSS / SHIFT CROSS GEAR SET                 | MC25736010  | 2     |
|    |   |             |       |
|    |   |             |       |
|    |   |             |       |
|    |   |             |       |
|    |   |             |       |
|    |   |             |       |
|    |   |             |       |
|    |   |             |       |
|    |   |             |       |
|    |   |             |       |
|    |   |             |       |
|    |   |             |       |
|    |   |             |       |



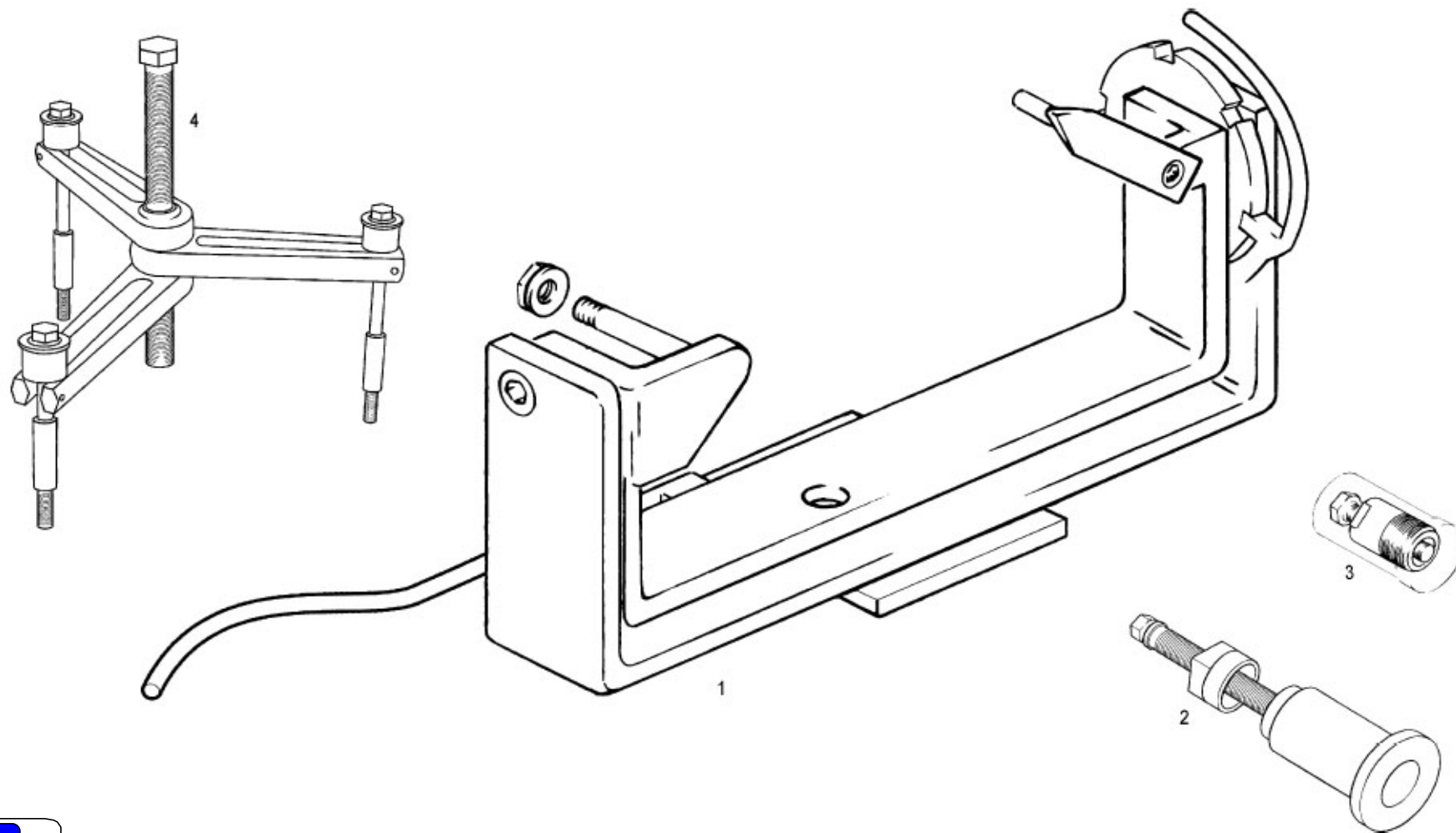
| Nº | DESCRIPCION / DESCRIPTION                              | 125/200     | 250          | 300        | Cant. |
|----|--|-------------|--------------|------------|-------|
| 1  | CARBURADOR KEIHIN / KEIHIN CARBURETOR                  | ME120390000 | ME300290000  |            | 1     |
| 2  | MANDO ESTARTER / COLD STARTER KNOB SET                 |             | ME25690011   |            | 1     |
| 3  | BOYA FLOTADOR / FLOAT                                  |             | ME25690012   |            | 1     |
| 4  | CUBETA FLOTADOR / FLOAT BODY                           |             | ME25690013   |            | 1     |
| 5  | JUNTA CUBETA FLOTADOR / FLOAT BODY GASKET              |             | ME25690014   |            | 1     |
| 6  | TAPÓN CUBETA / FLOAT BODY DRAIN CAP                    |             | ME25690015   |            | 1     |
| 7  | TÓRICA TAPÓN CUBETA / DRAIN CAP O'RING                 |             | ME25690016   |            | 1     |
| 8  | AGUJA FLOTADOR / FLOAT NEEDLE                          |             | ME25690017   |            | 1     |
| 9  | SUJECIÓN TUBO RESPIRADERO / AIR HOSE HOLDER            |             | ME25690018   |            | 1     |
| 10 | CHICLÉ RALENTÍ / SLOW JET                              | ME120390048 | ME25690019   | ME25690035 | 1     |
| 11 | AGUJA / NEEDLE   |             | ME25690427   | ME25690020 | 1     |
| 12 | CLIP AGUJA / NEEDLE CLIP                               |             | ME25690021   |            | 1     |
| 13 | COMPUERTA / THROTTLE VALVE                             |             | ME25690022   |            | 1     |
| 14 | FIJADOR AGUJA-CABLE / NEEDLE HOLDER                    |             | ME25690023   |            | 1     |
| 15 | TAPÓN COMPUERTA / CARBURETOR COVER                     |             | ME25690024   |            | 1     |
| 16 | JUNTA TAPÓN COMPUERTA / CARBURETOR COVER GASKET        |             | ME25690025   |            | 1     |
| 17 | TORNILLO REGULADOR AIRE / AIR REGULATOR SCREW          |             | ME25690028   |            | 1     |
| 18 | MUELLE REGULADOR AIRE / AIR REGULATOR SPRING           |             | ME25690029   |            | 1     |
| 19 | MUELLE COMPUERTA / CARBURETOR COVER SPRING             |             | ME25690026   |            | 1     |
| 20 | CLIP NIVEL FLOTADOR / FLOAT CLIP                       |             | ME25690027   |            | 1     |
| 21 | TORNILLO CUBETA / FLOAT BODY BOLT                      |             | ME25690030   |            | 4     |
| 22 | TUBO RESPIRADERO / AIR HOSE                            |             | ME25690031   |            | 2     |
| 23 | TUBO RESPIRADERO 2 / AIR HOSE 2                        |             | ME25690032   |            | 1     |
| 24 | EJE FLOTADOR / FLOAT AXLE                              |             | ME25690033   |            | 1     |
| 25 | CLIP / CLIP  |             | ME25690034   |            | 3     |
| 26 | CHICLE ALTA 185 / 185 HIGH JET                         |             | ME25690185   | ME25690182 | 1     |
| 27 | TENSOR CABLE / CABLE TENSOR                            |             | ME25690036   |            | 1     |
| 28 | TUERCA TENSOR CABLE / CABLE TENSOR NUT                 |             | ME25690037   |            | 1     |
| 29 | TORNILLO REGULADOR RALEN. / SLOW JET ADJUSTING BOLT    |             | ME25690038   |            | 1     |
| 30 | MUELLE TORN. REGULADOR RALENTI / ADJUSTING BOLT SPRING |             | ME25690039   |            | 1     |
| 31 | CASQUILLO MUELLE COMPUERTA / COVER SPRING BUSHING      |             | ME25690040   |            | 1     |
| 32 | BRIDA UNEX 2244 4.8X20 / UNEX CLAMP 2244 4.8X20        |             | BE25634009   |            | 2     |
| 33 | *TOPE MANDO DE GAS / STOP THROTTLE CABLE               |             | *ME250690010 |            | 1     |

**GAS GAS**

**Motor 21**



| Nº | DESCRIPCION / DESCRIPTION              | 125/200 | 250         | 300 | Cant. |
|----|--|---------|-------------|-----|-------|
|    | AGUJA KEIHIN N1EE / KEIHIN N1EE NEEDLE |         | ME250290427 |     | 1     |
|    | AGUJA KEIHIN N1EG / KEIHIN N1EG NEEDLE |         | ME250290428 |     | 1     |
|    | AGUJA KEIHIN N1EF / KEIHIN N1EF NEEDLE |         | ME250190429 |     | 1     |
|    |  |         |             |     |       |
|    |  |         |             |     |       |
|    |  |         |             |     |       |
|    |  |         |             |     |       |
|    |  |         |             |     |       |
|    |  |         |             |     |       |
|    |  |         |             |     |       |
|    |  |         |             |     |       |
|    |  |         |             |     |       |
|    |  |         |             |     |       |
|    |  |         |             |     |       |
|    |  |         |             |     |       |
|    |  |         |             |     |       |
|    |  |         |             |     |       |
|    |  |         |             |     |       |
|    |  |         |             |     |       |
|    |  |         |             |     |       |
|    |  |         |             |     |       |
|    |  |         |             |     |       |
|    |  |         |             |     |       |
|    |  |         |             |     |       |
|    |  |         |             |     |       |
|    |  |         |             |     |       |
|    |  |         |             |     |       |
|    |  |         |             |     |       |
|    |  |         |             |     |       |
|    |  |         |             |     |       |
|    |  |         |             |     |       |
|    |  |         |             |     |       |
|    |  |         |             |     |       |
|    |  |         |             |     |       |
|    |  |         |             |     |       |
|    |  |         |             |     |       |
|    |  |         |             |     |       |

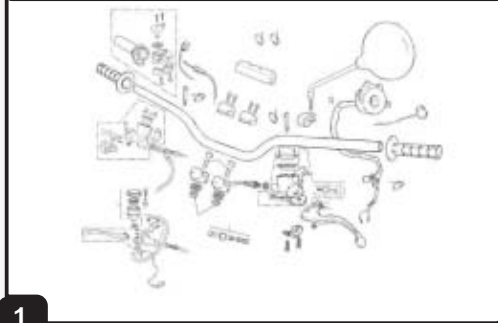




| Nº | DESCRIPCION / DESCRIPTION                                     | 2007       | Cant. |
|----|---|------------|-------|
| 1  | BANCADA MOTOR / MOTOR HOLDER                                  | BT27950050 | 1     |
| 2  | EXTRACTOR SEMICIGÜEÑAL ENCENDIDO / SEMI CRANK SHAFT EXTRACTOR | ME25950000 | 1     |
| 3  | EXTRACTOR VOLANTE KOKUSAN / KOKUSAN FLYWHEEL EXTRACTOR        | ME25634045 | 1     |
| 4  | EXTRACTOR CARTERES / CRANKCASE EXTRACTOR                      | ME25950005 | 1     |
|    |   |            |       |
|    |   |            |       |
|    |   |            |       |
|    |   |            |       |
|    |   |            |       |
|    |   |            |       |
|    |   |            |       |
|    |   |            |       |
|    |   |            |       |
|    |   |            |       |
|    |   |            |       |
|    |   |            |       |
|    |   |            |       |
|    |   |            |       |
|    |   |            |       |
|    |   |            |       |
|    |   |            |       |
|    |   |            |       |
|    |   |            |       |
|    |   |            |       |
|    |   |            |       |
|    |   |            |       |

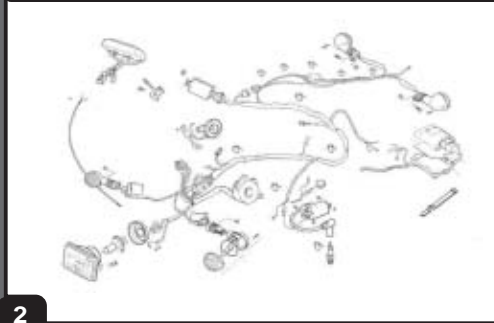
# CHASIS

Manillar / Handlebar **GAS GAS** EC/MC/SM 2006



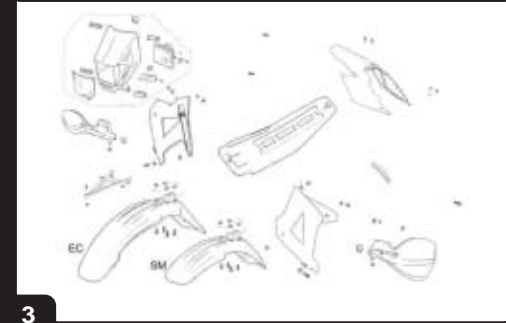
1

Eléctricos / Electric **GAS GAS** EC/MC/SM 2006



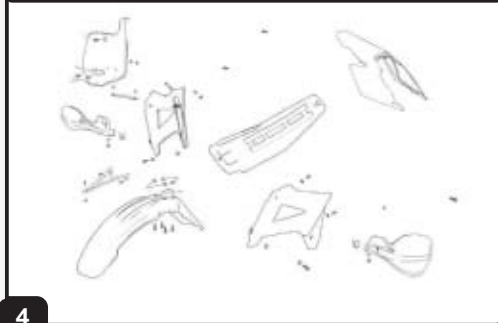
2

Plásticos / Plastics **GAS GAS** EC/SM 2006



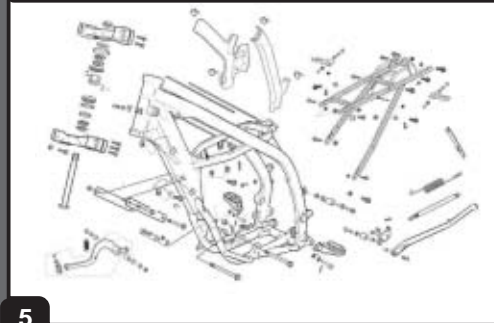
3

Plásticos / Plastics **GAS GAS** MC 2006



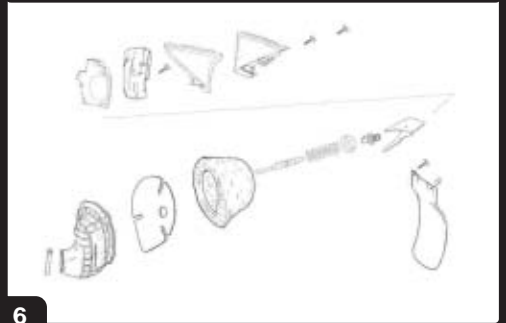
4

Chasis / Frame **GAS GAS** EC/MC/SM 2006



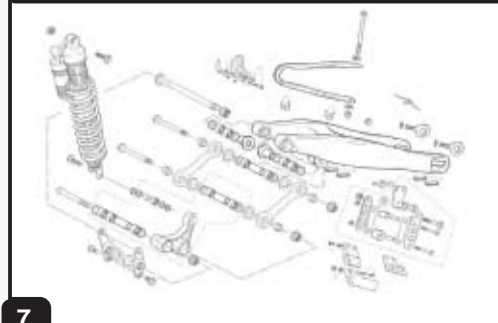
5

Filtro de aire / Air filter **GAS GAS** EC/MC/SM 2006



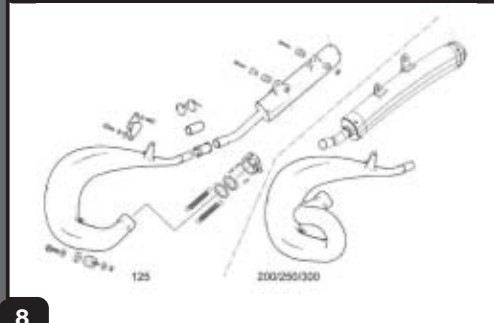
6

Basculante / Swingarm **GAS GAS** EC/MC/SM 2006



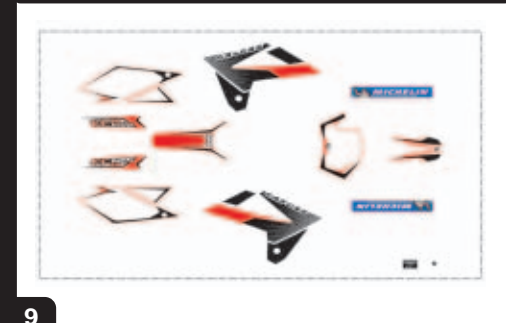
7

Tubo escape / Exhaust **GAS GAS** EC/MC/SM 2006



8

Adhesivos / Decals **GAS GAS** EC/MC 2006

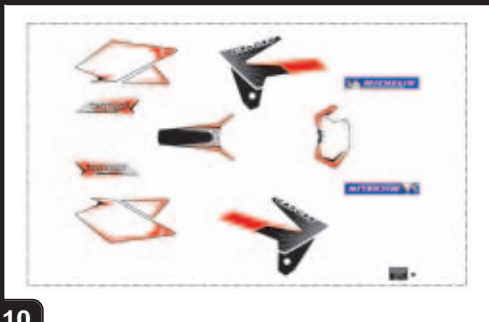


9

# DESPIECE

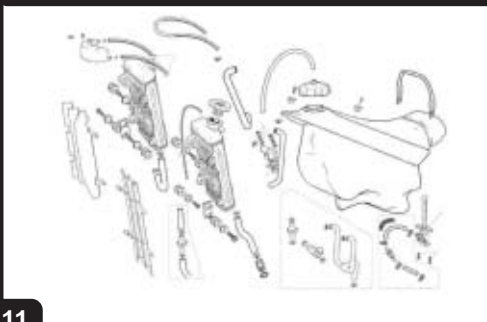
# FRAME

Adhesivos / Decals **CASCAS** SM 2006



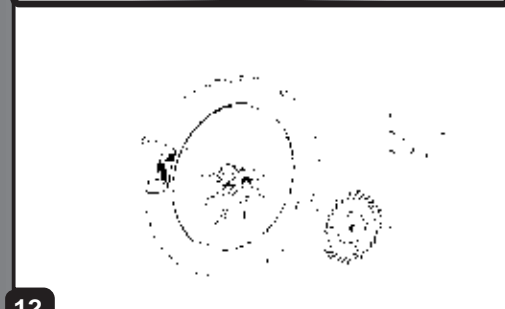
10

Depósito / Fuel tank **CASCAS** EC/MC/SM 2006



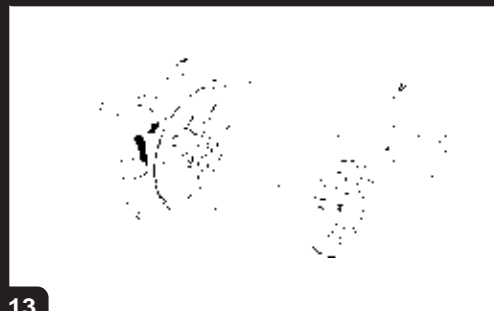
11

Rueda delantera / Front Wheel **CASCAS** EC/MC/SM 2006



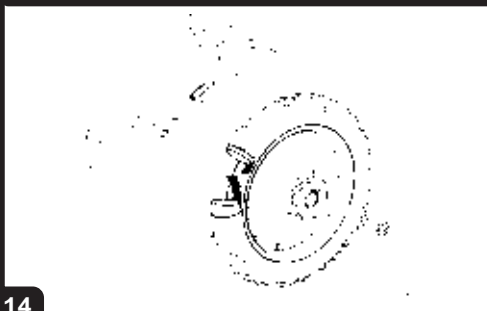
12

Rueda delantera / Front Wheel **CASCAS** SM 2006



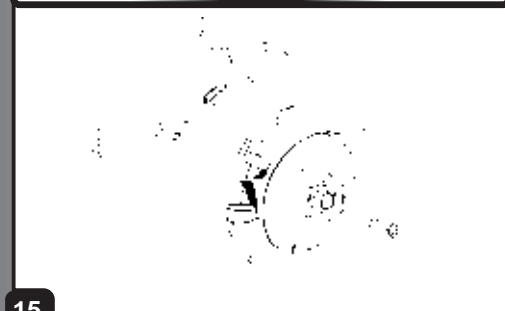
13

Rueda trasera / Rear Wheel **CASCAS** EC/MC 2006



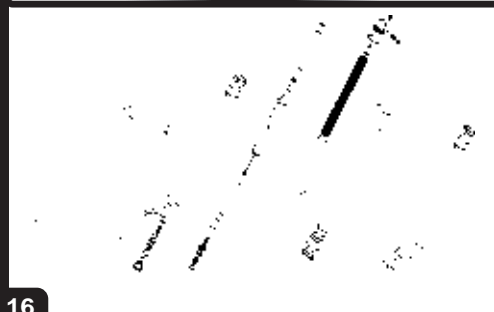
14

Rueda trasera / Rear Wheel **CASCAS** SM 2006



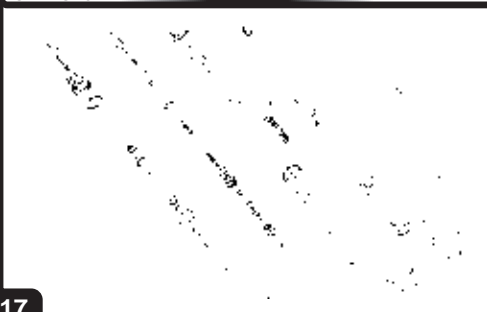
15

Suspensión MARZOCCHI / MARZOCCHI Fork **CASCAS** EC/MC/SM 2006



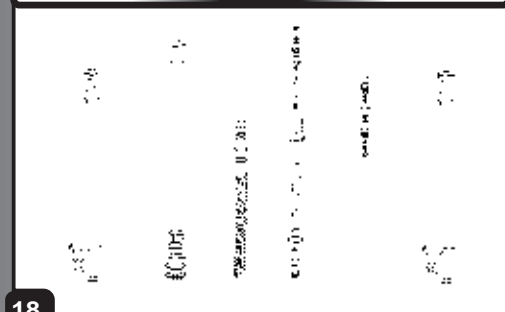
16

Suspensión OHLINS / OHLINS Fork **CASCAS** EC/MC/SM 2006



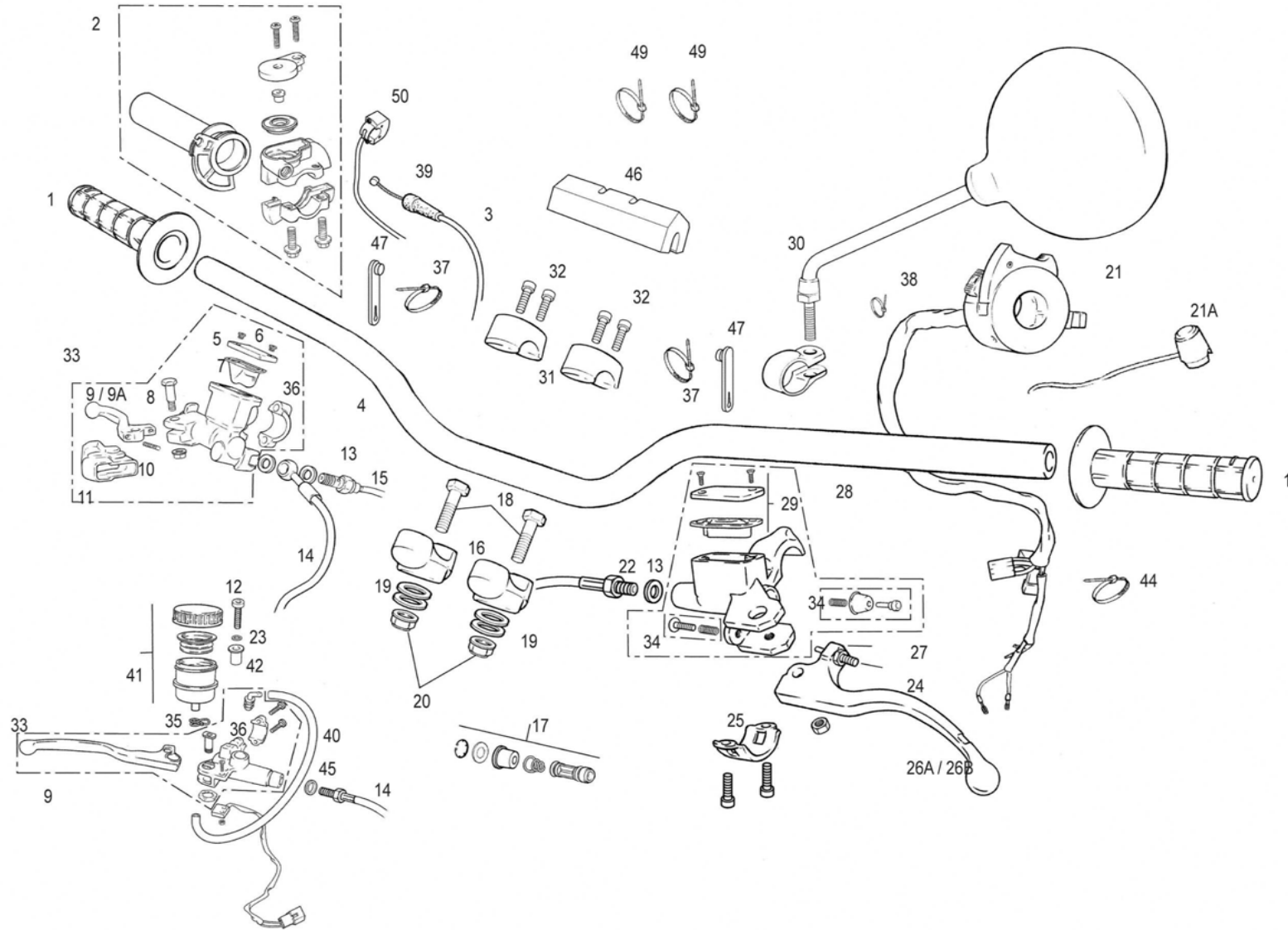
17

Suspensión MARZOCCHI / MARZOCCHI Fork 506 **CASCAS** CROSS 250



18

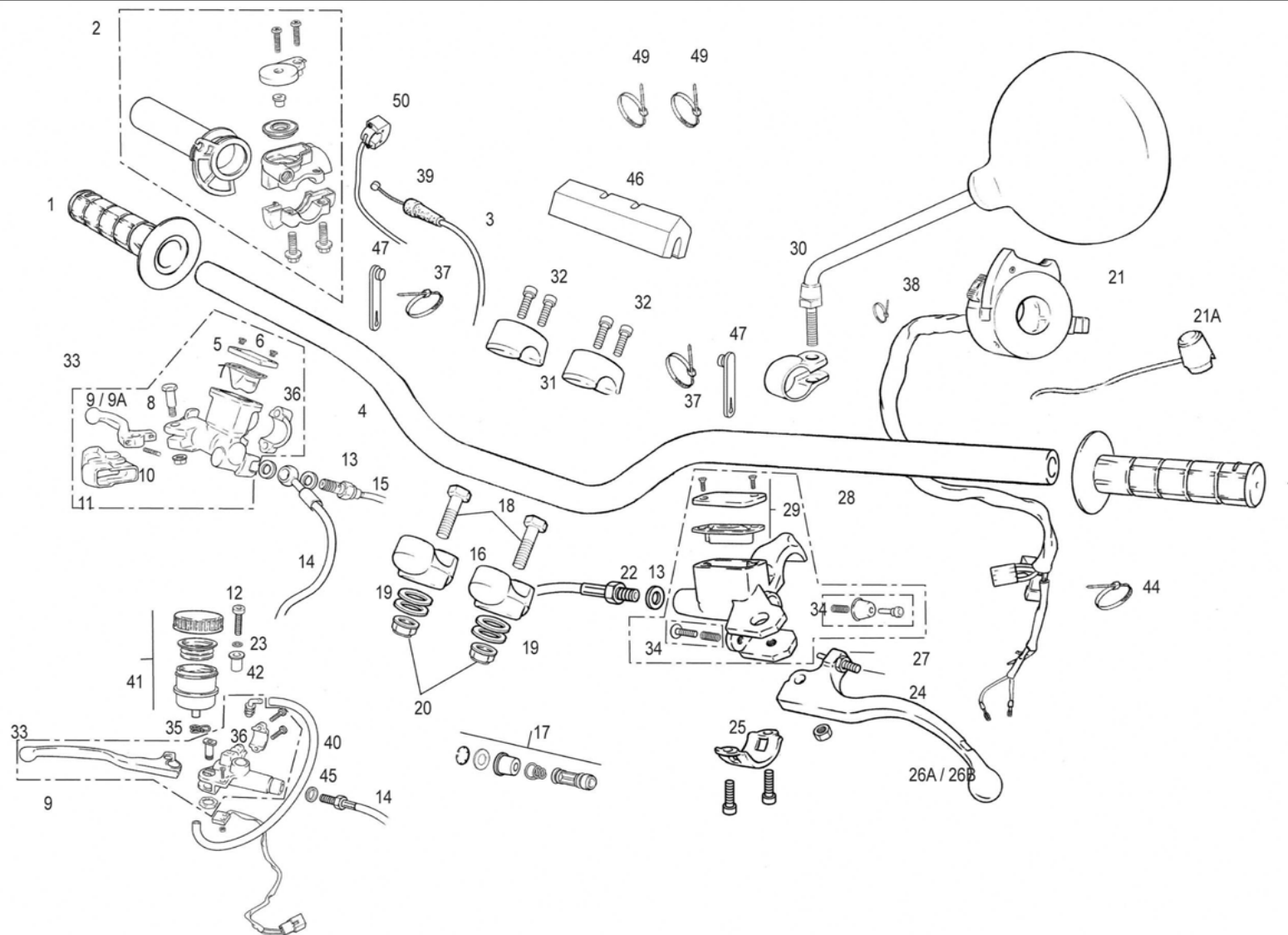
# PART LIST



| Nº  | DESCRIPCION / DESCRIPTION  | EC           | SM            | Cant. |
|-----|--|--------------|---------------|-------|
| 1   | JUEGO DE EMPUÑADURAS / C798HANDLEBAR GRIP (PAIR)                     | BE250736002  |               | 1     |
| 2   | PUÑO DE GAS / TWIST GRIP   | BE25724007   |               | 1     |
| 3   | CABLE DE GAS / THROTTLE CABLE  | BE25724008   |               | 1     |
| 4   | MANILLAR COMPLETO / STEERING HANDLEBAR SET                           | BE250624001  |               | 1     |
| 5   | TAPA BOMBA FRENO / BRAKE PUMP COVER                                  | BC25922210   |               | 1     |
| 6   | TORNILLO TAPA BOMBA / BRAKE PUMP SCREW                               | BC25922217   |               | 2     |
| 7   | GOMA ANTIESPUMANTE / NO-FOAM RUBBER                                  | BC25922216   |               | 1     |
| 8   | TORNILLO ESPECIAL / SPECIAL SCREW                                    | BC25922212   |               | 1     |
| 9   | MANETA FRENO DELANTERO / FRONT BRAKE LEVER                           | BC250022045  | BE250122045SM | 1     |
| 9A  | MANETA FRENO TT 250 / FRONT BRAKE TT 250                             | BC250022045R |               | 1     |
| 10  | TENSOR MANETA BOMBA / PUMP LEVER TENSOR                              | BC25922218   |               | 1     |
| 11  | GUARDAPOLVO / DUST COVER   | BC25922213   |               | 1     |
| 12  | TORNILLO ALLEN 6X35 / 6X35 ALLEN SCREW                               | -            | T0306035      | 1     |
| 13  | ARANDELA LATIGUILLO 10X14X1 / HOSE WASHER 10X14X1                    | BE25622007   | -             | 3     |
| 14  | LATIGUILLO FRENO DELANTERO / FRONT BRAKE HOSE                        | BE250422002  | BE250522002SM | 1     |
| 15  | INTERRUPTOR STOP BOMBA / PUMP STOP SWITCH                            | BE250334003  |               | 1     |
| 16  | BRIDA SUJECIÓN MANILLAR INFERIOR / HANDLEBAR CLAMP (LOWER)           | BE250614013  |               | 2     |
| 17  | KIT PISTÓN BOMBA FRENO "A" / "A" BRAKE PUMP PISTON KIT               | BC25922219   |               | 1     |
| 18  | *TORNILLO ESPECIAL 10X45 / 10X45 SPECIAL BOLT                        | T0201045     |               | 2     |
| 19  | DISTANCIADOR BRIDA INFERIOR MANILLAR EC2003 / CLAMP HANDLEBAR SPACER | BE250314035  |               | 4     |
| 20  | TUERCA CILINDRO 8.8 ESP. 10/150C13 / NUT CYLINDER M10                | M01613001    |               | 2     |
| 21  | CONMUTADOR LUZ / LIGHT SWITCH  | BE250534001  |               | 1     |
| 22  | LATIGUILLO EMBRAGUE / CLUTCH HOSE                                    | BE250522003  |               | 1     |
| 23  | ARANDELA / WASHER  | -            | T4006018      | 1     |
| 24  | TORNILLO REGULACIÓN MANETA / ADJUSTING LEVER SCREW                   | BT27922046   |               | 1     |
| 25  | SOPORTE BOMBA EMBRAGUE / CLUTCH PUMP CLAMP                           | BE250022211  |               | 1     |
| 26A | MANETA EMBRAGUE CORTA / SHORT CLUTCH LEVER                           | BT27922040   |               | 1     |
| 26B | MANETA EMBRAGUE LARGA (SERIE) / LONG CLUTCH LEVER (STANDARD)         | BE250622040  |               | 1     |
| 27  | TUERCA M6 BAJA / M6 LOW NUT  | T2006001     |               | 1     |
| 28  | BOMBA EMBRAGUE HIDRÁULICO / HYDRAULIC CLUTCH PUMP                    | BE250522009  |               | 1     |
| 29  | KIT TAPA BOMBA FRENO EMBRAGUE / CLUTCH BRAKE PUMP COVER KIT          | BE250522210  |               | 1     |
| 30  | ESPEJO RETROVISOR / REAR-VIEW MIRROR                                 | L300760      |               | 2     |
| 31  | BRIDA SUJECIÓN MANILLAR SUPERIOR / HANDLEBAR CLAMP (UPPER)           | BE250614012  |               | 2     |

**GAS GAS**

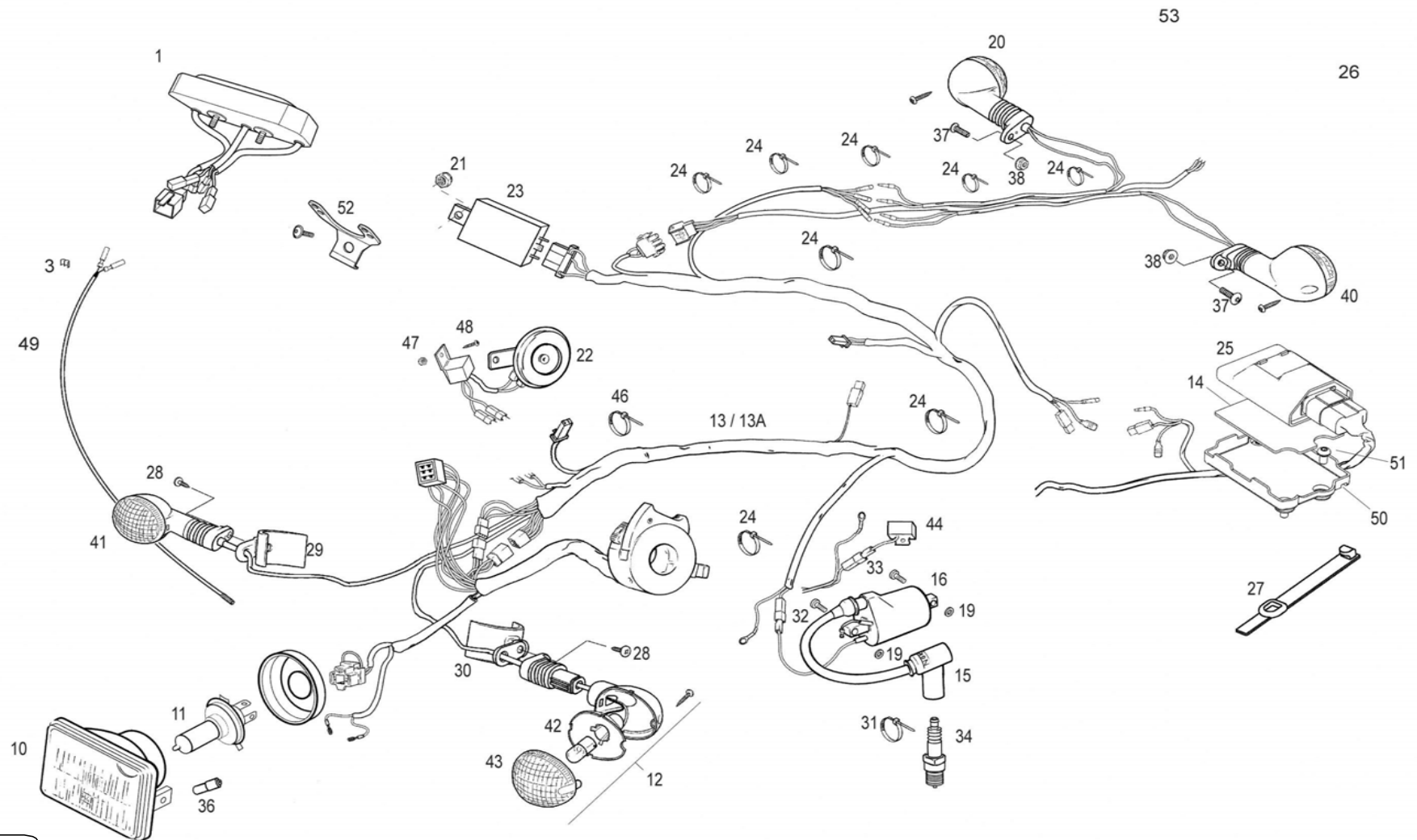
**Chasis 1**



| Nº | DESCRIPCION / DESCRIPTION   | EC           | SM             | Cant. |
|----|---|--------------|----------------|-------|
| 32 | TORNILLO SUJECIÓN BRIDA MANILLAR 8X30 / CLAMP SCREW 8X30                    | T0308030     |                | 4     |
| 33 | BOMBA FRENO DELANTERO / FRONT BRAKE PUMP SET                                | BC25922008   | BE250122008SM  | 1     |
| 34 | KIT REPARACIÓN / REPARATION KIT   | BT27722208   | -              | 1     |
| 35 | ABRAZADERA MUELLE / S PRING CLAMP   | -            | BT27710120     | 2     |
| 36 | BRIDA / CLAMP   | BC25922211   | R361700        | 1     |
| 37 | BRIDA GRANDE / BIG CLAMP  | BE25634009   |                | 2     |
| 38 | BRIDA PEQUEÑA / LITTLE CLAMP  | BE25634010   |                | 1     |
| 39 | GUARDAPOLVO CABLE GAS / DUST COVER THROTTLE CABLE                           | G600000      |                | 1     |
| 40 | TUBO LÍQUIDO FRENO A BOMBA / BRAKE TO PUMP LIQUID HOSE                      |              | BFS400310116SM | 1     |
| 41 | DEPÓSITO LIQUIDO FRENOS SM / SM BRAKE FLUID TANK                            |              | BE250110016SM  | 1     |
| 42 | CASQUILLO TAPA RADIADOR ALUMINIO / ALUMINIUM RADIATOR COVER BUSHING         |              | BE250026000    | 1     |
| 44 | BRIDA UNEX CORTA 2221-0 2.5X98 / SHORT UNEX CLAMP 2221-0 2.5X98             | BE25634010   |                | 1     |
| 45 | ARANDELA 10X14X2.3 / WASHER 10X14X2.3                                       | T4001014     |                | 1     |
| 46 | PROTECTOR MANILLAR DIAMETRO VARIABLE / VARIABLE DIAMETER ANDLEBAR PROTECTOR | BE250724004  |                | 1     |
| 47 | GOMA SUJECIÓN CABLEADO / CABLED RUBBER HOLDER                               | BFS450320067 |                | 2     |
| 48 | PROTECCIÓN MANILLAR / HANDLEBAR STEERING PROTECTION                         | BE250624004  |                | 1     |
| 49 | BRIDAS SERRETAS / CLAMP   | BE25634007   |                | 2     |
| 50 | INTERRUPTOR CDI / CDI SWITCH  | BE250634007  | BE250634007    | 1     |

**Solo Motocross MC / Only Motocross MC bike**

| Nº  | DESCRIPCION / DESCRIPTION             | MC          | Cant. |
|-----|---------------------------------------|-------------|-------|
| 15  | RACORD 10X125 / 10X125 RACORD         | BC25722006  | 1     |
| 21A | BOTÓN DE PARO KE9B / KE9B STOP BUTTON | BC250334055 | 1     |
|     |                                       |             |       |
|     |                                       |             |       |
|     |                                       |             |       |
|     |                                       |             |       |
|     |                                       |             |       |
|     |                                       |             |       |
|     |                                       |             |       |
|     |                                       |             |       |

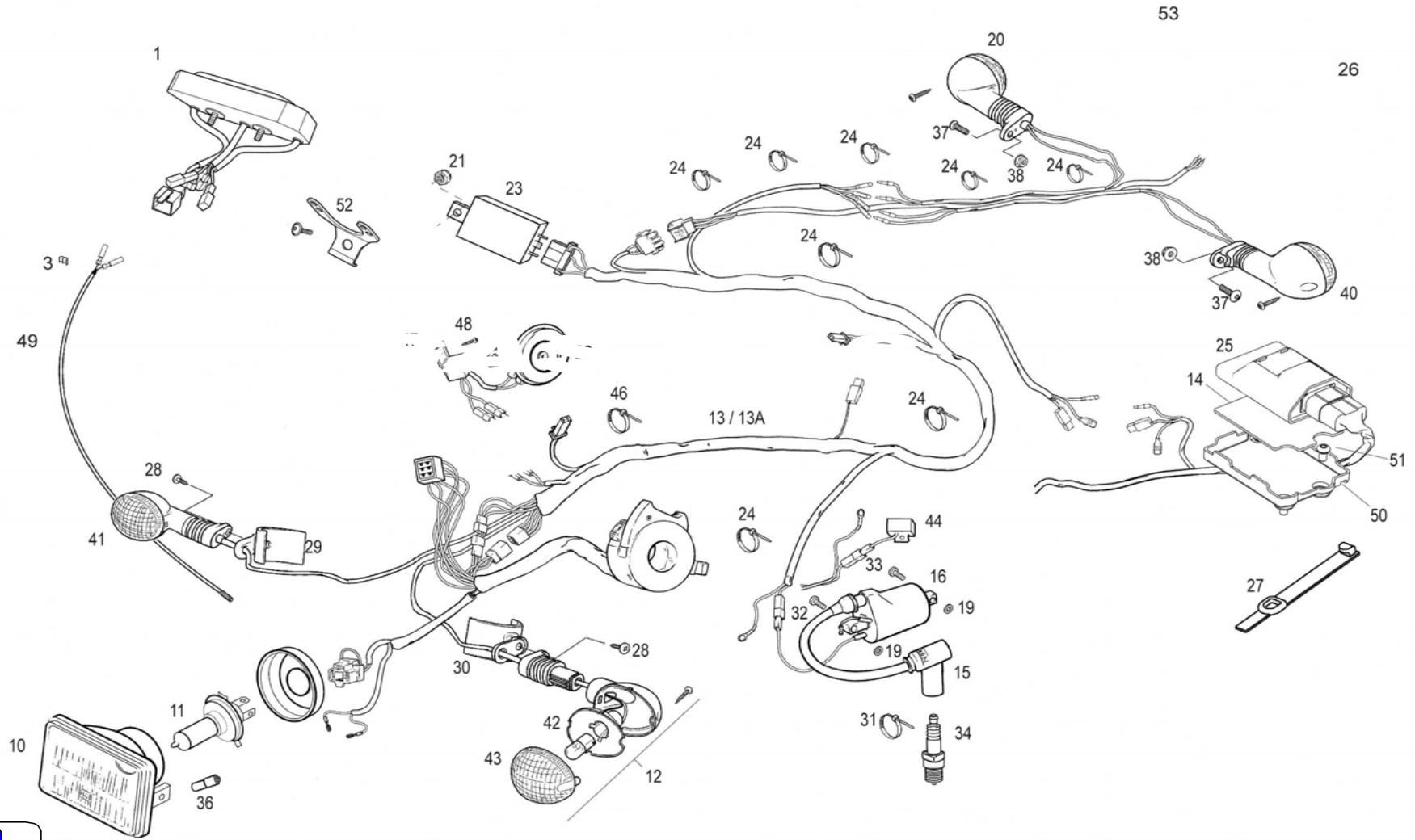




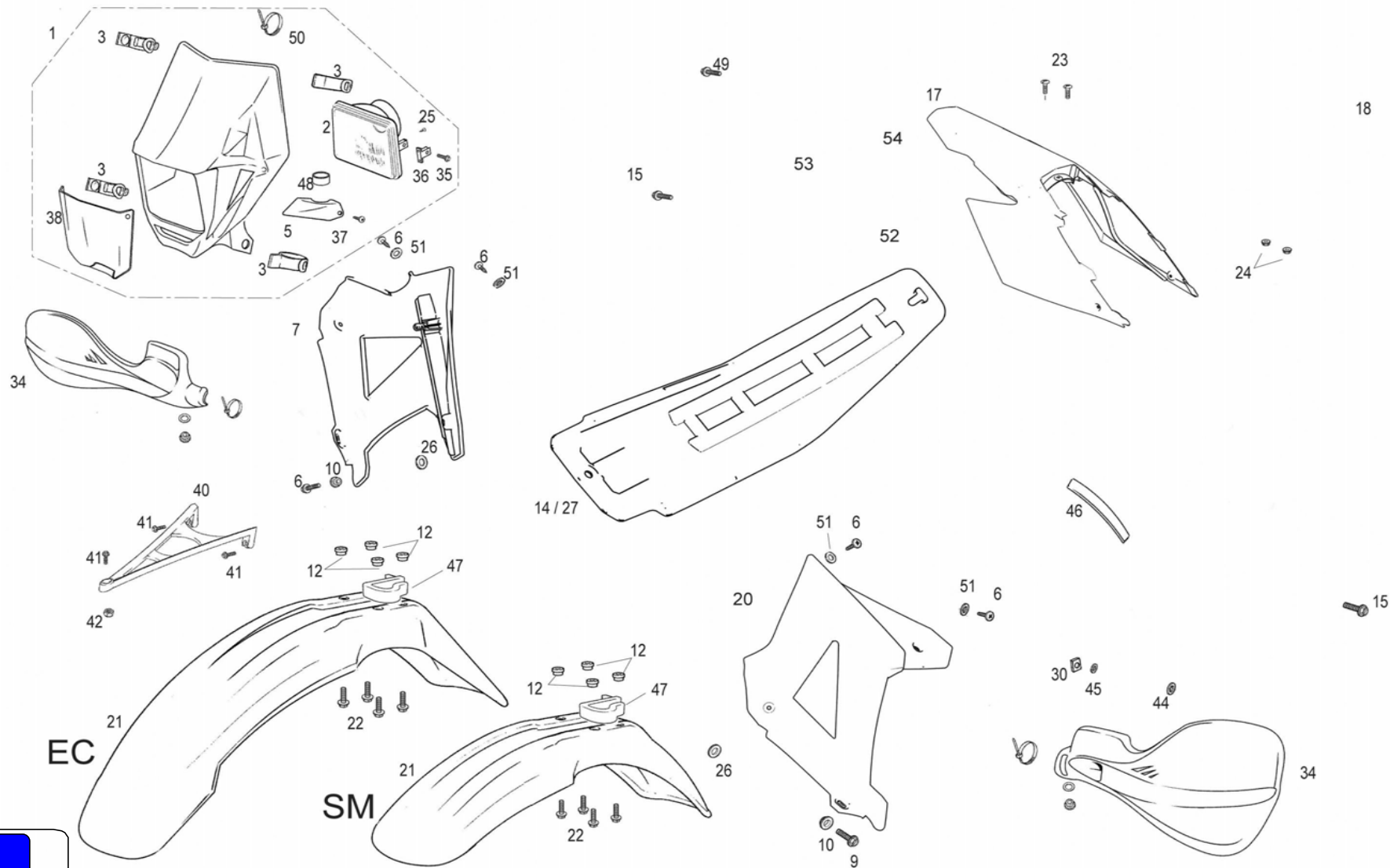
| Nº  | DESCRIPCION / DESCRIPTION                                     | 125         | 200/250/300   | Cant. |
|-----|---|-------------|---------------|-------|
| 1   | CTO. MULTIFUNCIÓN ENDURO / ENDURO MULTIFUNCTION SET           |             | BE250634005   | 1     |
| 1A  | CTO. MULTIFUNCIÓN SM / SM MULTIFUNCTION SET                   |             | BE2506340055M | 1     |
| 3   | PASACABLES CTA. KMS. / SPEED CABLE HOSE                       |             | BE250334053   | 3     |
| 10  | ÓPTICA HALÓGENA / HALOGEN OPTIC                               |             | BE250520024   | 1     |
| 11  | BOMBILLA HALÓGENA HS1 12V35- 35W / HS1 12V35-35W HALOGEN BULB |             | L300125       | 1     |
| 12  | INTERMITENTE IZQUIERDO DELANTERO / LEFT FRONT INDICATOR       |             | BE250634019   | 1     |
| 13  | INSTALACIÓN ENDURO 2005 / 2005 ENDURO INSTALLATION            |             | BE250634014   | 1     |
| 13A | INSTALACIÓN XC / XC INSTALLATION                              |             | BX250534014   | 1     |
| 14  | ESPUMA PROTECTOR CDI EC 2005 / EC 2005 CDI PROTECTOR FOAM     |             | BE250534109   | 1     |
| 15  | PIPA BUJÍA LBMH / SPARK PLUG CAP LBMH                         |             | BE25934000    | 1     |
| 16  | BOBINA KOKUSAN / KOKUSAN IGNITION COIL                        |             | ME250434006   | 1     |
| 17  | CRISTAL FARO TRASERO / REAR LIGHT CAP                         |             | BP25734115    | 1     |
| 18  | BOMBILLA 12V5-21W / 12V5-21W BULB                             |             | L300116       | 1     |
| 19  | CASQUILLO BOBINA / I GNITION COIL BUSHING                     |             | BT120222097   | 2     |
| 20  | INTERMITENTE DERECHO TRASERO / RIGHT REAR INDICATOR           |             | BE250634021   | 1     |
| 21  | TUERCA AUTOBLOCANTE BAJA M6 / SELF-LOCKING M6 NUT             |             | T2106001      | 1     |
| 22  | CLAXON / HORN   |             | BE25634020    | 1     |
| 23  | CAJA INTERMITENCIAS / I NTERMITENT BOX                        |             | L300720       | 1     |
| 24  | BRIDA UNEX 4.8X20 / UNEX CLAMP 4.8X20                         |             | BE25634009    | 9     |
| 25  | CDI KOKUSAN / KOKUSAN CDI                                     | ME120534007 | ME250634007   | 1     |
| 26  | FARO PILOTO / REAR LIGHT SET                                  |             | BE250234015   | 1     |
| 27  | GOMA SUJECIÓN CDI / CDI ELASTIC BAND                          |             | BE250034100   | 1     |
| 28  | TORNILLO CHAPA / SPECIAL SCREW                                |             | T0706316      | 2     |
| 29  | SOPORTE INTERMITENTE DEL. DER. / RIGHT FRONT INDICATOR HOLDER |             | BE250134017   | 1     |
| 30  | SOPORTE INTERMITENTE DEL. IZDO / LEFT FRONT INDICATOR HOLDER  |             | BE250134020   | 1     |
| 31  | BRIDA UNEX CORTA 2221-0 2.5X98 / SHORT CLAMP 2221-0 2.5X98    |             | BE25634010    | 1     |
| 32  | TORNILLO ESPECIAL 6X25 VALONA 11mm / SPECIAL SCREW 6X25       |             | T0206025      | 1     |
| 33  | TORNILLO 6X30 / SCREW 6X30                                    |             | T0506030      | 1     |
| 34  | BUJÍA W24ESRU / PLUG W24ESRU                                  | ME120134000 | ME25934000    | 1     |
| 36  | BOMBILLA LUZ POSICIÓN / SIDELIGHT BULB                        |             | L300126       | 1     |
|     |   |             |               |       |
|     |   |             |               |       |
|     |   |             |               |       |

**GAS GAS**

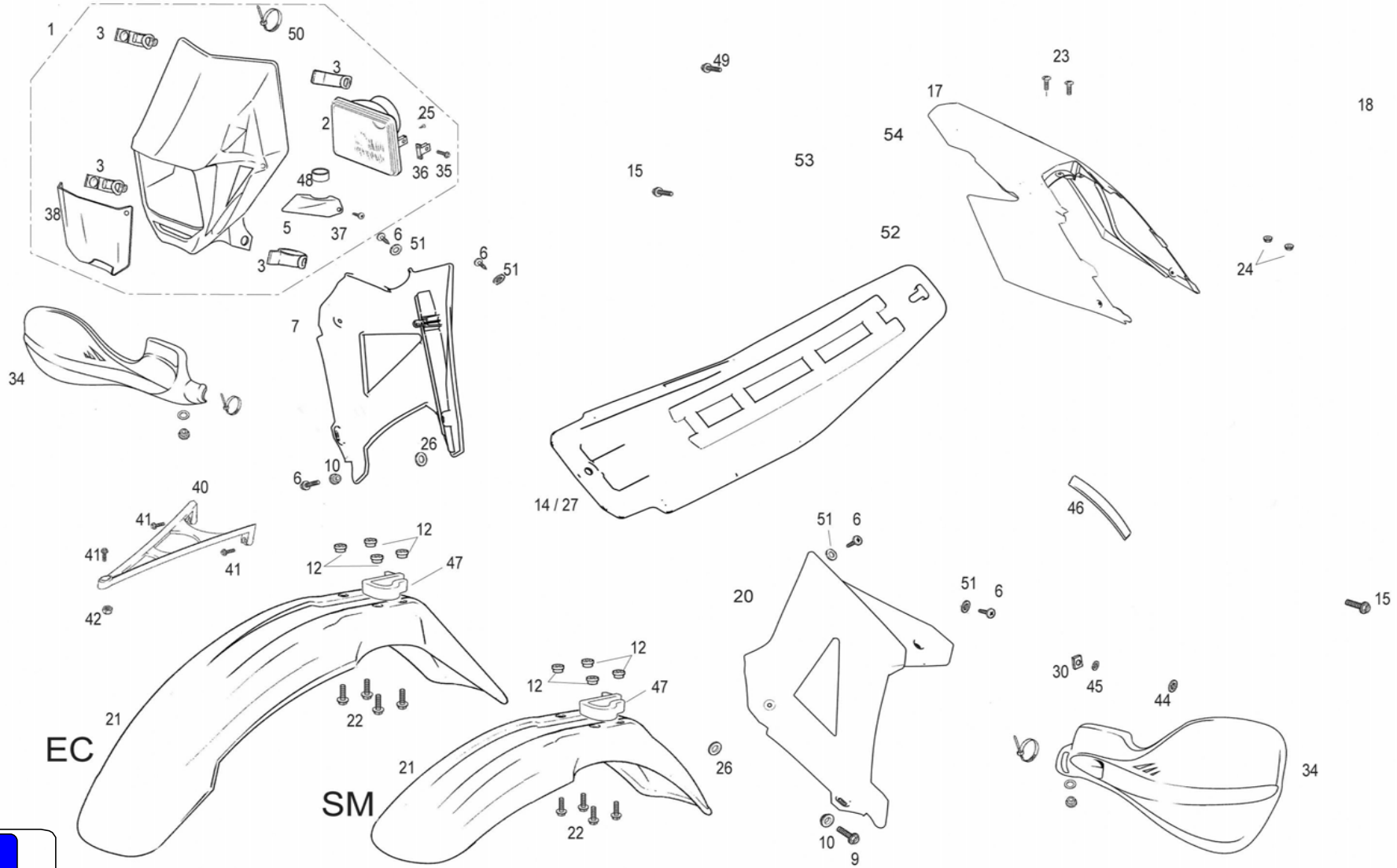
**Chasis 2**



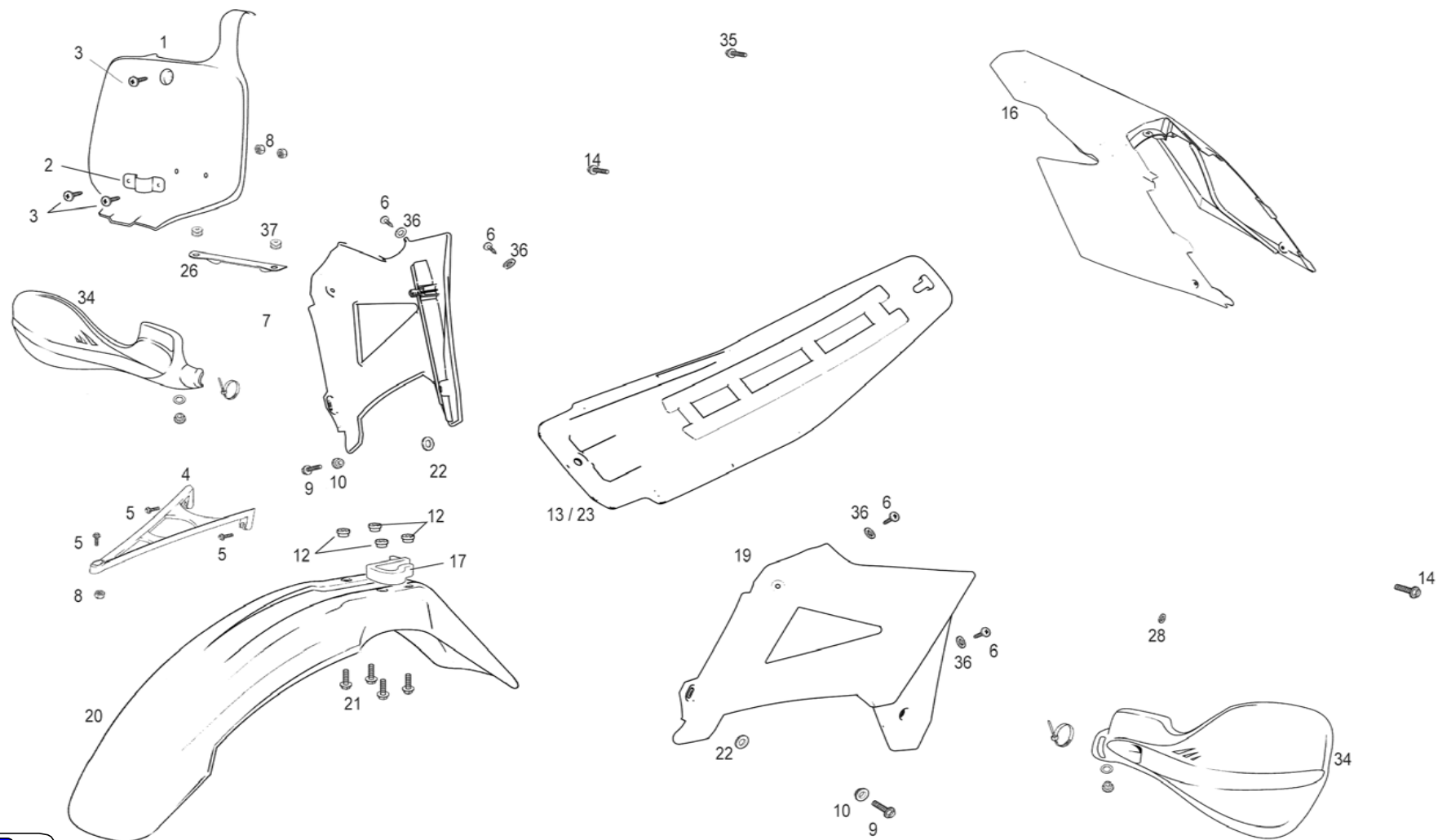
| Nº | DESCRIPCION / DESCRIPTION                               | 125/250      | Cant. |
|----|---|--------------|-------|
| 37 | ULS 6X16 NEGRO / 6X16 ULS BLACK BOLT                    | T0506016N    | 2     |
| 38 | TUERCA CON ARANDELA M6 / NUT WITH WASHER M6             | T2206000     | 3     |
| 40 | INTERMITENTE IZQUIERDO TRASERO / LEFT REAR INDICATOR    | BE250634022  | 1     |
| 41 | INTERMITENTE DERECHO DELANTERO / RIGHT FRONT INDICATOR  | BE250634018  | 1     |
| 42 | BOMBILLA / LAMP   | L200118      | 4     |
| 43 | CRISTAL INTERMITENTE / INDICATOR COVER                  | BE250634120  | 4     |
| 44 | REGULADOR / REGULATOR                                   | L300031      | 1     |
| 46 | BRIDA NYLON 3.6X140 / NYLON CLAMP 3,6X140               | BE250022031  | 1     |
| 47 | ULS 6X14 CON ARANDELA PLATA / 6X12 ULS WITH WASHER      | T0556014     | 1     |
| 48 | TORNILLO PHILIPS CABOTA ANCHA 6X13 / 6X13 PHILIPS SCREW | T0706013     | 1     |
| 49 | CABLE MULTIFUNCIÓN TT 2003 / 2003 TT MULTIFUNCTION HOSE | BE250634050  | 1     |
| 50 | SOPORTE CDI EC 2005 / EC 2005 CDI SUPPORT               | BE250534107  | 1     |
| 51 | ULS 6X10 / 6X10 ULS BOLT                                | T0506010     | 3     |
| 52 | SOPORTE MULTIFUNCIÓN / MULTIFUNCTION SUPPORT            | BFS450634045 | 1     |
| 53 | ALARGO INSTALACIÓN PORTAMATRÍCULA                       | BE250734016  | 1     |
|    |   |              |       |
|    |   |              |       |
|    |   |              |       |
|    |   |              |       |
|    |   |              |       |
|    |   |              |       |
|    |   |              |       |
|    |   |              |       |
|    |   |              |       |
|    |   |              |       |
|    |   |              |       |
|    |   |              |       |
|    |   |              |       |
|    |   |              |       |
|    |   |              |       |
|    |   |              |       |
|    |   |              |       |
|    |   |              |       |
|    |   |              |       |
|    |   |              |       |
|    |   |              |       |
|    |   |              |       |
|    |   |              |       |
|    |   |              |       |
|    |   |              |       |
|    |   |              |       |
|    |   |              |       |
|    |   |              |       |
|    |   |              |       |
|    |   |              |       |
|    |   |              |       |
|    |   |              |       |
|    |   |              |       |
|    |   |              |       |
|    |   |              |       |
|    |   |              |       |
|    |   |              |       |
|    |   |              |       |
|    |   |              |       |
|    |   |              |       |



| Nº  | DESCRIPCION / DESCRIPTION                                     | EC 250        | SM 125          | SM 250          | Cant. |
|-----|---|---------------|-----------------|-----------------|-------|
| 1   | CTO. FARO DELANTERO / FRONT HEADLAMP SET                      | BE250720020CT | BE250520020CTSM | BE250520020CTSM | 1     |
| 2   | ÓPTICA HALÓGENA / HALOGEN LAMP                                | BE250520024   | -               | -               | 1     |
| 3   | GOMA SUJECIÓN FARO / HEADLAMP ELASTIC BAND                    | BE25636015    | -               | -               | 4     |
| 4   | FARO DELANTERO / FRONT HEADLAMP                               | BE250720020   | BE250620020SM   | BE250620020SM   | 1     |
| 5   | TAPETA GUÍA FARO / HEADLAMP GUIDE COVER                       | BE250520023   | BE250520023SM   | BE250520023SM   | 1     |
| 6   | TORN. ROSC.PLAST.C.ALOM+ARAND.4.5X14 AAZ ZINCADO NEGRO        | BE250420063/2 | -               | -               | 4     |
| 7   | TAPA LATERAL RADIADOR DERECHO / RIGHT SIDE RADIATOR COVER     | BE250720012   | BE250420012SM   | BE250420012SM   | 1     |
| 8   | TORNILLO ESPECIAL 6X16 ZINCADO / SPECIAL SCREW 6X16           | T0206016      | -               | -               | 2     |
| 9   | CASQUILLO TAPA RADIADOR ALUMINIO / RADIATOR COVER BUSHING     | BE250032060   | -               | -               | 2     |
| 10  | CASQUILLO GUARDABARROS VOLONA / FRONT FENDER BUSHING          | BE250014118   | -               | -               | 4     |
| 11  | SILLÍN / SEAT   | BE250710015   | BE250410015     | BE250410015     | 1     |
| 12  | TORNILLO ESPECIAL 6X20 / 6X20 SPECIAL SCREW                   | T0206020      | -               | -               | 3     |
| 13  | GUARDABARROS TRASERO / REAR FENDER                            | BE250720007   | BE250420007SM   | BE250420007SM   | 1     |
| 14  | PORTAMATRICULA TRASERO EC2007 / REAR LICENSE PLATE HOLDER     | BE250720003   | -               | -               | 1     |
| 15  | PORTANÚMERO LATERAL IZQUIERDO / LEFT SIDE COVER               | BE250620005   | BE120420005SM   | BE250420005SM   | 1     |
| 16  | PORTANUMEROS LATERAL IZQO.250 AZUL / 250 BLUE LEFT SIDE COVER | BE250620005AZ | -               | -               | 1     |
| 17  | TAPA LATERAL RADIADOR IZQUIERDO / LEFT SIDE RADIATOR COVER    | BE250720013   | BE250420013SM   | BE250420013SM   | 1     |
| 18  | GUARDABARROS DELANTERO EC2005 / EC2005 FRONT FENDER           | BE250620006   | BE250420006SM   | BE250420006SM   | 1     |
| 19  | TORNILLO ESPECIAL M6X25 / M6X25 SPECIAL SCREW                 | T0606025      | -               | -               | 4     |
| 19A | TORNILLO PHILIPS M6X25 / M6X25 PHILIPS SCREW                  | T0706025      | -               | -               | 2     |
| 20  | TUERCA AUTOBLOCANTE ALTA M6 / M6 SELF-LOCKING NUT             | T2106002      | -               | -               | 2     |
| 21  | TORNILLO ESPECIAL ROSCA PLÁSTICO / PLASTIC SPECIAL SCREW      | BT280228035   | -               | -               | 4     |
| 22  | ARANDELA NYLON 6,5X16X1 / 6.5X16X1 NYLON WASHER               | T06065017     | -               | -               | 2     |
| 23  | FUNDA SILLÍN / SEAT COVER                                     | BE250510055   | BE250410015     | BE250410055     | 1     |
|     |   |               |                 |                 |       |
|     |   |               |                 |                 |       |
|     |   |               |                 |                 |       |
|     |   |               |                 |                 |       |
|     |   |               |                 |                 |       |
|     |   |               |                 |                 |       |
|     |   |               |                 |                 |       |
|     |   |               |                 |                 |       |
|     |   |               |                 |                 |       |
|     |   |               |                 |                 |       |
|     |   |               |                 |                 |       |
|     |   |               |                 |                 |       |
|     |   |               |                 |                 |       |
|     |   |               |                 |                 |       |



| Nº | DESCRIPCION / DESCRIPTION  | EC             | SM            | Cant. |
|----|--|----------------|---------------|-------|
| 33 | TUERCA HEXAGONAL REMACHABLE M6 / REVITABLE M6 NUT                | T2706000       |               | 2     |
| 34 | JUEGO PARAMANOS HP20 / HANDS-PROTECTOR SET                       | BTL400220034GC |               | 1     |
| 35 | TORNILLO HEXAGONAL 6X16 / 6X16 HEXAGONAL BOLT                    | T0206016       |               | 2     |
| 36 | SOPORTE FARO / BASE LAMP   | BE250520028    |               | 2     |
| 37 | TORNILLO ROSCA CHAPA 3x9 / 3X9 SCREW                             | T1003009       |               | 1     |
| 38 | PROTECTOR ÓPTICA HALÓGENA ENDURO 2005 / HALOGEN LAMP PROTECTOR   | BE250520071    |               | 1     |
| 40 | TIRANTE GUARDABARROS DELANTERO / FRONT FENDER BRACE              | BE250220039    |               | 1     |
| 41 | TORNILLO ULS 6X20 / 6X20 SCREW                                   | T0506020       |               | 3     |
| 42 | TUERCA M6 CON ARANDELA ESTRIADA / M6 NUT WITH WASHER             | T2206000       |               | 1     |
| 43 | TAPA LATERAL CAJA FILTRO / AIR FILTER SIDE COVER                 | BE250128025    | BE250428025SM | 1     |
| 44 | ARANDELA 5X12X1,5 / 5X12X1,5 WASHER                              | T4005012       |               | 1     |
| 45 | ARANDELA NYLON 4X14X1 / 4X14X1 NYLON WASHER                      | T6004141       |               | 3     |
| 46 | JUNTA ESPUMA TAPA CAJA FILTRO / AIR FILTER COVER GASKET          | BE250228031    |               | 1     |
| 47 | GUÍA CABLE / CABLE GUIDE   | BE250520016    |               | 1     |
| 48 | ANILLA NEGRA / BLACK O'RING                                      | BE25920053     |               | 1     |
| 49 | TORNILLO ESPECIAL 6X25 / 6X25 SPECIAL SCREW                      | T0206025       |               | 2     |
| 50 | BRIDA NYLON 3,6X140 LATIG. EMBRAGUE / NYLON CLAMP 3,6X140        | BE250022031    |               | 1     |
| 51 | ARANDELA PLACAS RADIADOR EC 2005 / EC 2005 RADIATOR PLATE WASHER | BE250511002    |               | 4     |
| 52 | ARANDELA NYLON 6,5X16X1  | T06065017      |               | 1     |
| 53 | CASQUILLO DEPÓSITO   | BE25610007     |               | 1     |
|    |  |                |               |       |
|    |  |                |               |       |
|    |  |                |               |       |
|    |  |                |               |       |
|    |  |                |               |       |
|    |  |                |               |       |
|    |  |                |               |       |
|    |  |                |               |       |
|    |  |                |               |       |
|    |  |                |               |       |
|    |  |                |               |       |
|    |  |                |               |       |
|    |  |                |               |       |
|    |  |                |               |       |
|    |  |                |               |       |
|    |  |                |               |       |
|    |  |                |               |       |
|    |  |                |               |       |
|    |  |                |               |       |

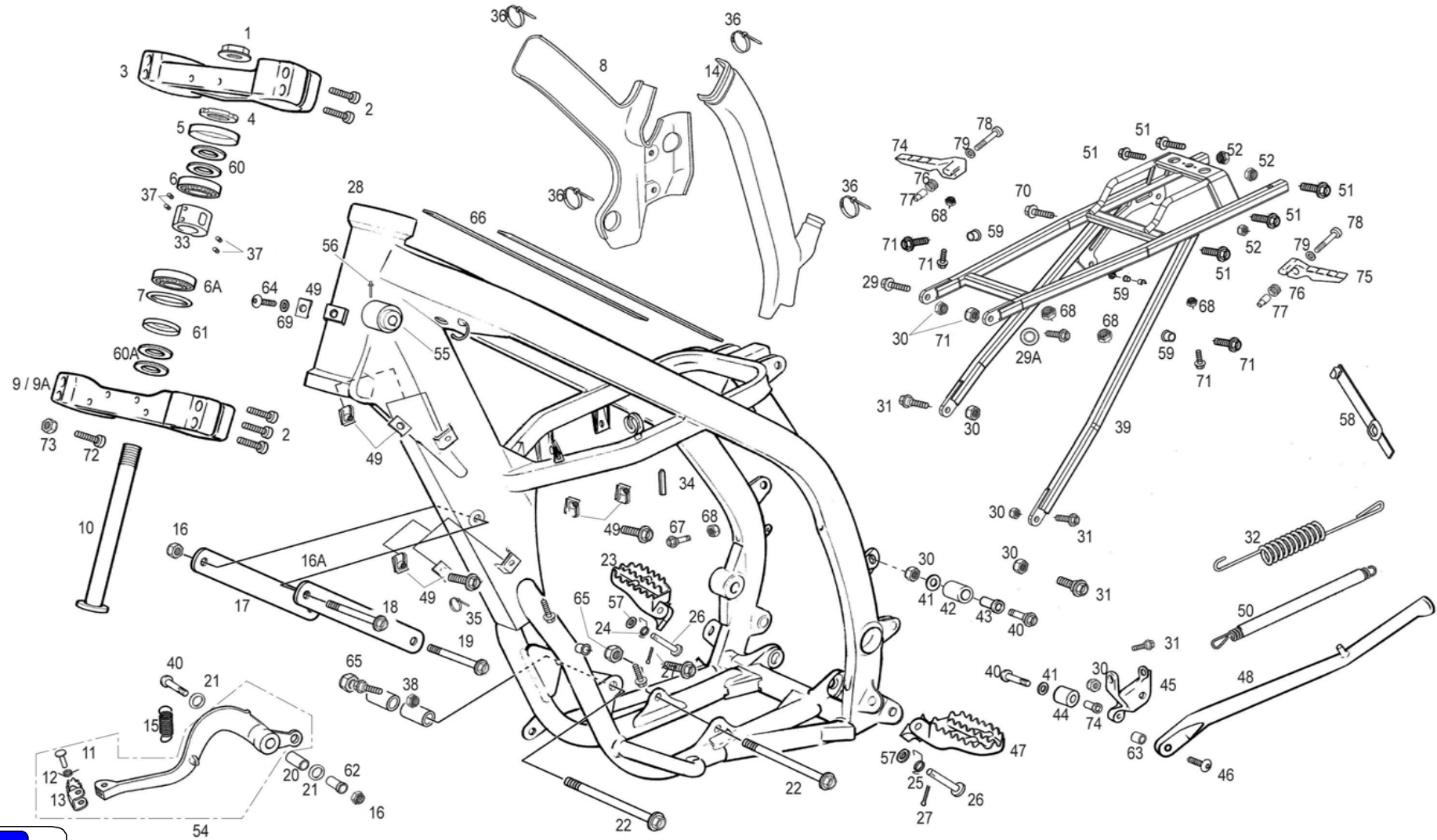




| Nº | DESCRIPCION / DESCRIPTION   | 125 am-red    | MC 2007        | 250 rojo-red  | Cant. |
|----|---|---------------|----------------|---------------|-------|
| 1  | PLACA PORTANÚMEROS DELANTERO MC / FRONT COVER MC                                | BC120620020CT |                | BC250720020CT | 1     |
| 2  | GUÍA CABLE / CABLE GUIDE  |               |                | BC250220009   | 1     |
| 3  | TORNILLO ULS 6X16 / 6X16 ULS  |               |                | T0506016      | 3     |
| 4  | TIRANTE GUARDABARROS DELANTERO / FRONT FENDER BRACE                             |               |                | BE250220039   | 1     |
| 5  | TORNILLO ULS 6X20 / 6X20 ULS  |               |                | T0506020      | 3     |
| 6  | TORN. ROSC.PLAST.C.ALOM+ARAND.4.5X14 AAZ ZINCADO NEGRO / PLAST.SCREW WITH ALUM. |               |                | BE250420063/2 | 4     |
| 7  | TAPA LATERAL RADIADOR DERECHO / RIGHT SIDE RADIATOR COVER                       | BE120620012   |                | BE250720012   | 1     |
| 8  | TUERCA M6 CON ARANDELA ESTRIADA / M6 NUT WITH WASHER                            |               |                | T2206000      | 3     |
| 9  | TORNILLO ESPECIAL 6X16 ZINCADO / SPECIAL SCREW 6X16                             |               |                | T0206016      | 2     |
| 10 | CASQUILLO TAPA RADIADOR ALUMINIO / ALUM. RADIATOR COVER BUSH                    |               |                | BE250032060   | 2     |
| 11 | REMACHE POP 14X4.8X14 SILLÍN / 14X4.8X14 RIVET                                  |               |                | BE25610017    | 4     |
| 12 | CASQUILLO GUARDABARROS CON VOLONA / FRONT FENDER BUSHING                        |               |                | BE250014118   | 4     |
| 13 | SILLÍN EC2005 / EC-2005 SEAT  |               |                | BE250710015   | 1     |
| 14 | TORNILLO ESPECIAL 6X20 / 6X20 SPECIAL SCREW                                     |               |                | T0606020      | 3     |
| 15 | GUARDABARROS TRASERO / REAR FENDER  | BE120620007   |                | BE250720007   | 1     |
| 16 | GUÍA CABLE / CABLE GUIDE  |               |                | BE250520016   | 1     |
| 17 | TAPA LATERAL RADIADOR IZQUIERDO / LEFT SIDE RADIATOR COVER                      | BE120620013   |                | BE250720013   | 1     |
| 18 | GUARDABARROS DELANTERO EC2005 / EC2005 FRONT FENDER                             | BE120620006   |                | BE250720006   | 1     |
| 19 | TORNILLO ESPECIAL M6X20 / M6X20 SPECIAL SCREW                                   |               |                | T0206020      | 4     |
| 20 | ARANDELA NYLON 6.5X16X1 / 6.5X16X1 NYLON WASHER                                 |               |                | T06065017     | 2     |
| 21 | FUNDA SILLÍN / SEAT COVER   |               |                | BE250510055   | 1     |
| 22 | SOPORTE PLACA PORTANÚMEROS / FRONT COVER SUPPORT                                |               |                | BC250220032   | 1     |
| 23 | ARANDELA NYLON / NYLON WASHER   |               |                | BE250128028   | 1     |
| 24 | ARANDELA / WASHER   |               |                | T4005010      | 1     |
| 33 | TUERCA HEXAGONAL REMACHABLE M6 / REVITABLE M6 NUT                               |               | T2706000       |               | 2     |
| 34 | JUEGO PARAMANOS HP20 / HANDS-PROTECTOR SET                                      |               | BTL400220034GC |               | 1     |
| 35 | TORNILLO ESPECIAL 6X25 / 6X25 SPECIAL SCREW                                     |               | T0206025       |               | 2     |
| 36 | ARANDELA PLACAS RADIADOR EC 2005 / EC 2005 RADIATOR PLATE WASHER                |               | BE250511002    |               | 4     |
| 37 | GOMAS RADIADOR A CHASIS / RADIATOR RUBBER                                       |               | G200000        |               | 2     |
|    |   |               |                |               |       |
|    |   |               |                |               |       |
|    |   |               |                |               |       |
|    |   |               |                |               |       |

**GAS GAS**

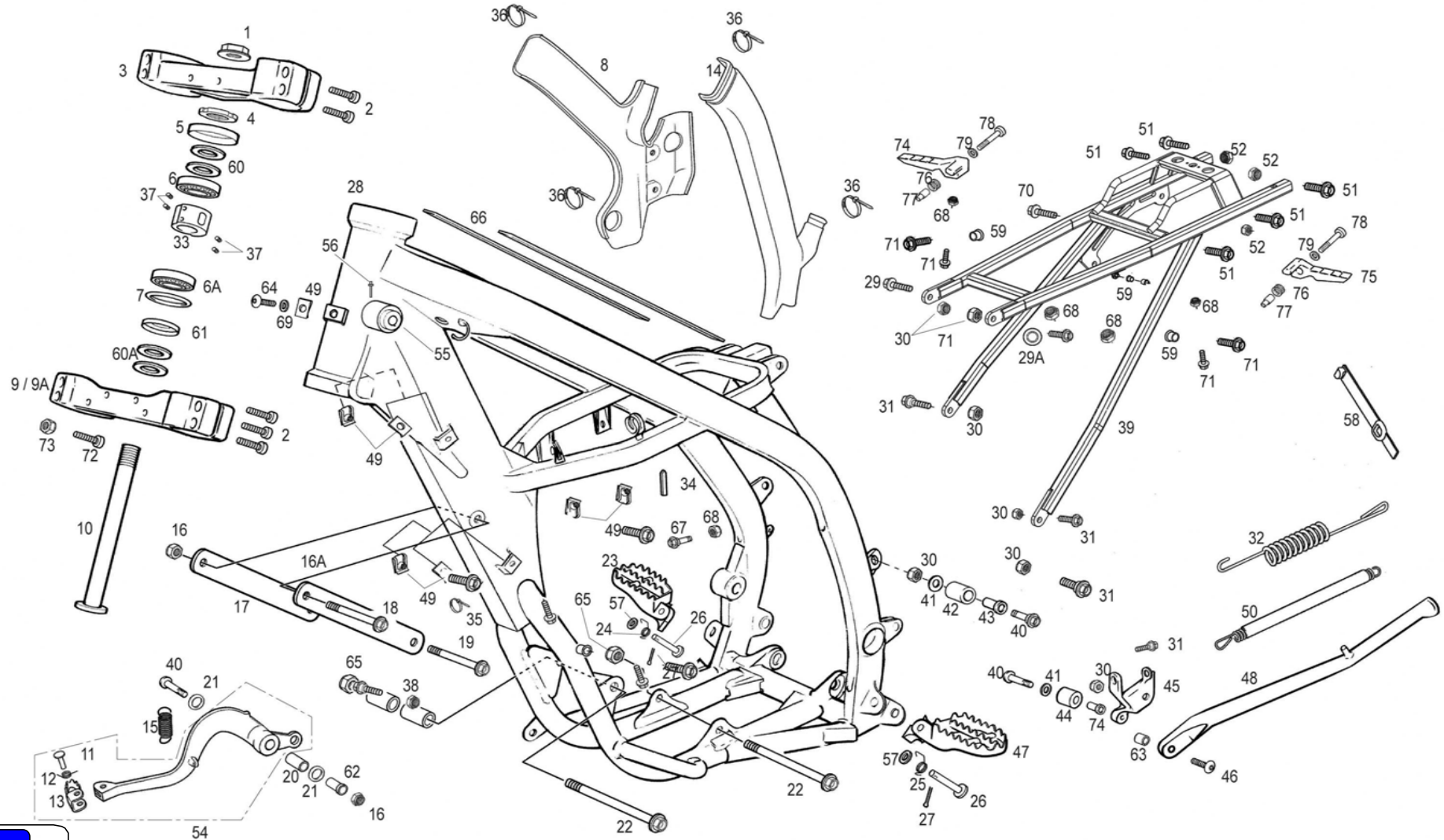
**Chasis 4**



| Nº  | DESCRIPCION / DESCRIPTION                                      | 125         | 200         | 250/300       | Cant. |
|-----|--|-------------|-------------|---------------|-------|
| 1   | TUERCA DIRECCIÓN / STEERING SHAFT NUT                          |             |             | BE25610030    | 1     |
| 2   | ALLEN 7X30 / 7X30 ALLEN BOLT                                   |             |             | T0307030      | 10    |
| 3   | BRIDA SUSPENSIÓN SUPERIOR / FORK CLAMP (UPPER)                 |             |             | BE250414001   | 1     |
| 4   | TUERCA DIRECCIÓN INFE. / LOWER STEERING SHAFT NUT              |             |             | BE25610029    | 1     |
| 5   | GUARDAPOLVO COJINETE DIRECCIÓN / BEARING DUST COVER            |             |             | BE25610126    | 1     |
| 6   | COJINETE DIRECCIÓN / STEERING BEARING                          |             |             | BE25610008    | 1     |
| 6A  | COJINETE DIRECCIÓN / STEERING BEARING                          |             |             | BE250610008   | 1     |
| 7   | TÓRICA DIRECCIÓN 50X5 / STEERING O'RING                        |             |             | BE25610012    | 1     |
| 8   | PROTECTOR CHASIS DERECHO / RIGHT FRAME PROTECTION              |             |             | BE250520030   | 1     |
| 9   | BRIDA SUSPENSIÓN INFERIOR MZ / MZ FORK CLAMP (LOWER)           |             |             | BE250614002   | 1     |
| 9A  | BRIDA SUSPENSIÓN INFERIOR OH / OH FORK CLAMP (LOWER)           |             |             | BE250414002OH | 1     |
| 10  | EJE DIRECCIÓN / STEERING SHAFT                                 |             |             | BE250614003   | 1     |
| 11  | PASADOR DIN 660 6X22 / DIN 660 6X22 BRAKE PIN                  |             |             | BE25922018    | 1     |
| 12  | MUELLE PUNTERA PEDAL RETRÁCTIL / BRAKE PEDAL END SPRING        |             |             | ME25636029    | 1     |
| 13  | PUNTERA PEDAL FRENO / BRAKE PEDAL END                          |             |             | BT27922017    | 1     |
| 14  | PROTECTOR CHASIS IZQUIERDO / LEFT FRAME PROTECTION             |             |             | BE250520031   | 1     |
| 15  | MUELLE PEDAL FRENO / BRAKE PEDAL SPRING                        |             |             | BE25610023    | 1     |
| 16  | TUERCA AUTOBLOC. ARANDELA M8 / M8 SELF-LOCKING NUT WITH WASHER |             |             | T2208002      | 2     |
| 16A | TURERCA CON ARANDELA M8  | T2208001    |             |               | 1     |
| 17  | TIRANTE CULATA / CYLINDER HEAD BRACE                           | BE25910050  | BE200510050 | BE25910050    | 2     |
| 18  | TORNILLO ESPECIAL 8X65 FIL.20 8.8 / 8X65 SPECIAL SCREW         | T0208065    |             | T0208065      | 2     |
| 19  | TORNILLO ESPECIAL 8X70 FIL.20 / 8 X 70 SPECIAL SCREW           |             |             | T0208070      | 1     |
| 20  | GLACIER PEDAL FRENO / BRAKE PEDAL BEARING                      |             |             | BE250010009   | 1     |
| 21  | TÓRICA PEDAL ARRANQUE D 11X2 / 11X2 KICKSTART O'RING           |             |             | ME250036063   | 2     |
| 22  | TORNILLO MOTOR 10X118 / 10X118 ENGINE BOLT                     |             |             | T0210118      | 2     |
| 23  | ESTRIBO DERECHO / RIGHT FOOTREST                               |             |             | BE250010002   | 1     |
| 24  | MUELLE ESTRIBO DERECHO / RIGHT FOOTREST SPRING                 |             |             | BE25610037    | 1     |
| 25  | MUELLE ESTRIBO IZQUIERDO / LEFT FOOTREST SPRING                |             |             | BE25610038    | 1     |
| 26  | CASQUILLO ESTRIBO / FOOTREST BUSHING                           |             |             | BE25610006    | 2     |
| 27  | CLAVILLA ZINC 3X35 / 3X35 ZINC PIN                             |             |             | BE25622022    | 2     |
| 28  | CHASIS ENDURO EC2005 / ENDURO FRAME                            | BE120610000 |             | BE250610000   | 1     |
| 29  | TORNILLO ESPECIAL 8X30 / 8X30 SPECIAL SCREW                    |             |             | T0508030      | 2     |
| 29A | DISTANCIADOR GOMA DEPÓSITO                                     | BE250714036 |             |               | 2     |

**GAS GAS**

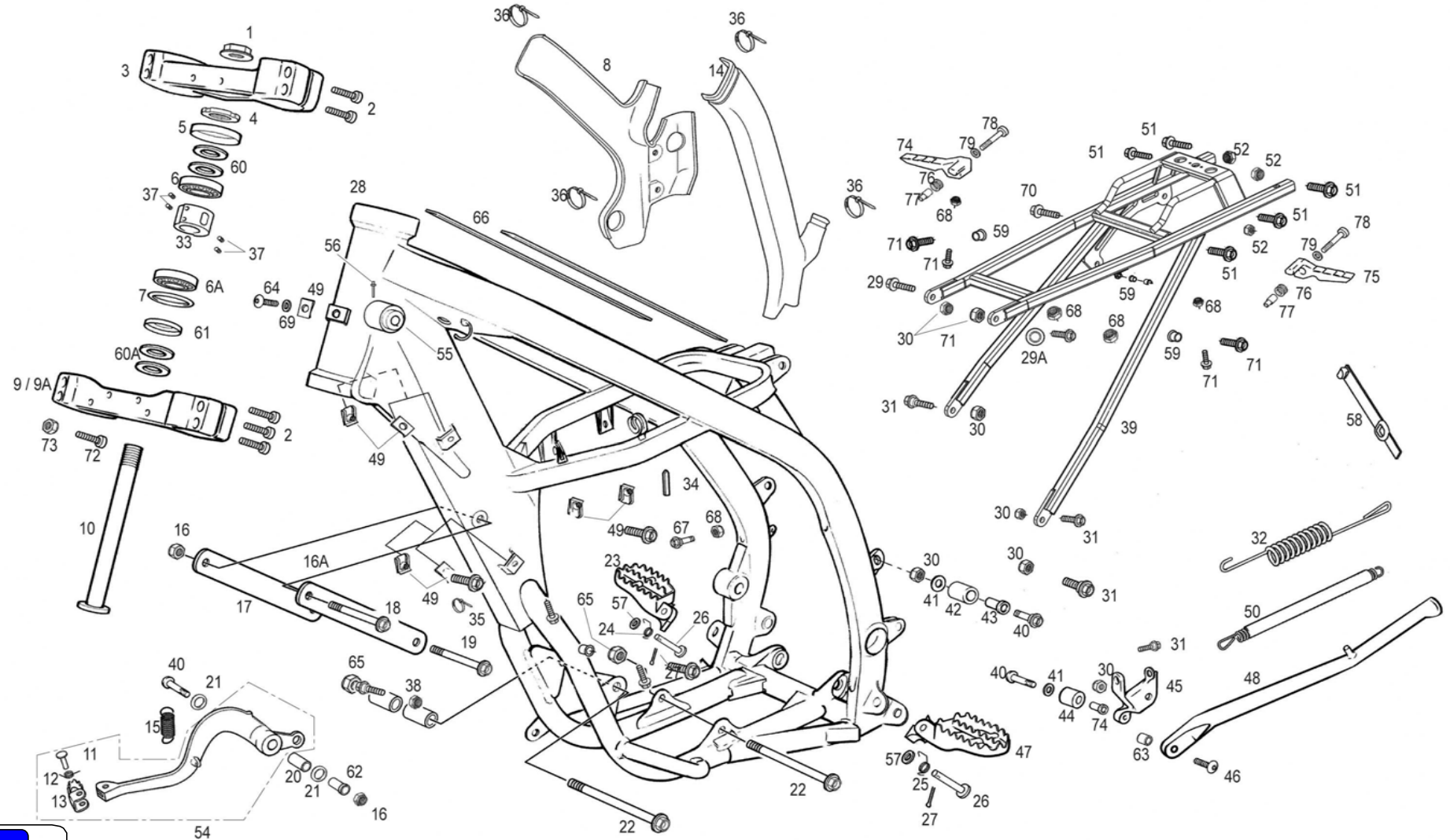
**Chasis 5**



| Nº  | DESCRIPCION / DESCRIPTION  | 250/300     | Cant.         |       |
|-----|--|-------------|---------------|-------|
| 30  | TUERCA AUTOBLOCANTE M8 BAJA / LOW M8 SELF-LOCKING NUT                | T2108001    | 6             |       |
| 31  | TORNILLO ESPECIAL 8X20 / SPECIAL SCREW 8X20                          | T0208020    | 3             |       |
| 32  | MUELLE EXTERIOR CAVALLETE / SUPPORT OUTER SPRING                     | BE250510039 | 1             |       |
| 33  | CASQUILLO ANTIRROBO EJE DIRECCIÓN / STEERING AXLE ANTI-THEFT BUSHING | BE25910072  | 1             |       |
| 34  | FUNDA CLIP 1X70 CHASIS / CHASSIS CLIP SLEEVE 1X70                    | BE250411000 | 6             |       |
| 35  | BRIDA UNEX 2274 4.8X20 / 2274 UNEX CLAMP 4.8X20                      | BE25634009  | 1             |       |
| 36  | BRIDA UNEX 2274 4.8X36 / 2274 UNEX CLAMP 4.8X36                      | BE25634007  | 4             |       |
| Nº  | DESCRIPCION / DESCRIPTION  | 125         | 200/250/300   | Cant. |
| 37  | TORNILLO PRISIONERO M6X8 / SET SCREW M6X8                            | -           | BE250310073   | 4     |
| 38  | CASQUILLO CROSS 125 / CROSS 125 BUSHING                              | BE120110065 | -             | 2     |
| 39  | COLA CHASIS / FRAME TAIL   |             | BE250710001   | 1     |
| 40  | TORNILLO ESPECIAL 8X45 / 8X45 SPECIAL SCREW                          |             | T0208045      | 3     |
| 41  | ARANDELA 8X20X1,5 / 8X20X1.5 WASHER                                  |             | T4008020      | 2     |
| 42  | RODILLO GUIA CAD. SUP. / UPPER CHAIN ROLL                            |             | BE25610014    | 1     |
| 43  | CASQUILLO ROD. 6,25X12X25 / 6.25X12X25 BUSHING                       |             | BE25612016    | 1     |
| 44  | RODILLO GUIA CADENA 13,5X32X23,5 / LOWER CHAIN ROLL                  |             | BE25610032    | 1     |
| 45  | SOPORTE CABALLETE / SIDE STAND HOLDER                                |             | BE250212023   | 1     |
| 46  | ULS 8X30 / 8X30 ULS BOLT   |             | T0508030      | 1     |
| 47  | ESTRIBO IZQUIERDO / LEFT FOOTREST                                    |             | BE250010003   | 1     |
| 48  | CABALLETE EC2005 / EC2005 SIDE STAND BRACKET                         |             | BE250512010   | 1     |
| 49  | TUERCA ENJAULADA / CAGED NUT   |             | T2606000      | 8     |
| 50  | MUELLE CABALLETE / SIDE STAND BRACKET SPRING                         |             | BE250410039   | 1     |
| 51  | TORNILLO ESPECIAL 6X25 / 6X25 SPECIAL SCREW                          |             | T0206025      | 4     |
| 52  | TUERCA AUTOBLOCANTE M6 ALTA / M6 SELF-LOCKING NUT HIGH               |             | T2106002      | 2     |
| 54  | CTO. PEDAL FRENO / BRAKE PEDAL SET                                   |             | BE250522016CT | 1     |
| 55  | ANTIRROBO / STEERING LOCK  |             | BE250010075   | 1     |
| 56  | CTO. REMACHE ANTIRROBO / STEERING LOCK RIVET                         |             | BE250010076   | 1     |
| 57  | ARANDELA 10.5x19X2 / 10.5x19X2 WASHER                                |             | T4001019      | 2     |
| 58  | GOMA SUJECIÓN CDI / CDI RUBBER HOLDER                                |             | BE250034100   | 1     |
| 59  | TUERCA REMACHABLE / RIVETABLE NUT                                    |             | BE250010070   | 4     |
| 60  | ARANDELA DIRECCIÓN / STEERING WASHER                                 |             | BE25610028    | 2     |
| 60A | ARANDELA DIRECCIÓN INFERIOR / LOWER STEERING WASHER                  |             | BE250610028   | 2     |
| 61  | CAZOLETA DIRECCIÓN / STEERING CAP                                    |             | BE250610026   | 1     |

**GAS GAS**

**Chasis 5**



| Nº  | DESCRIPCION / DESCRIPTION   | 200/250/300 | Cant.         |       |
|---|---|-------------|---------------|-------|
| 62  | CASQUILLO SOPORTE PEDAL FRENO EC250 / BRAKE PEDAL SUP. BUSHING        | BE250210916 | 1             |       |
| 63  | CASQUILLO CABALLETE EC2001 / SIDE STAND HOLDER BUSHING                | BE250112011 | 1             |       |
| Nº  | DESCRIPCION / DESCRIPTION   | 2007        | 250/300       | Cant. |
| 64  | TORNILLO ULS 6X16 / 6X16 ULS  |             | T0506016      | 1     |
| 65  | TUERCA AUTOBLOCANTE M10 PASO 1.25 PLATA / M10 SELF-LOCKING NUT        |             | T3110002      | 2     |
| 66  | TIRA ADHESIVA DEPÓSITO / FUEL TANK BAND STICKER                       |             | BE25638018    | 2     |
| 67  | TORNILLO HEXAGONAL 6X25 / 6X25 HEXAGONAL SCREW                        |             | T0106025      | 1     |
| 68  | TUERCA ARAND M-6 AUTOBL. / M-6 SELF-LOCKING WASHER NUT                |             | T2206001      | 2     |
| 69  | ARANDELA PLANA 6X12X1.5 / 6X12X1.5 WASHER                             |             | T4006012      | 1     |
| 70  | ULS 6X25 CON ARANDELA ZINCADO / ULS 6X25 WITH ZINC WASHER             | T0556025    |               | 1     |
| 71  | TORNILLO ESPECIAL 6X20 / 6X20 SPECIAL SCREW                           | T0606020    |               | 5     |
| 72  | ALLEN 8X20 / 8X20 ALLEN BOLT  | T0308020    |               | 2     |
| 73  | TUERCA TOPE DIRECCIÓN M8X13X8 ZINCADO / ZINC STEERING STOPNUT M8X13X8 | T2008002    |               | 2     |
| 74  | CASQUILLO RODILLO 12,5X36X16  | BE250712016 |               | 1     |
| <b>Solo Motocross MC / Only Motocross MC bike</b> |   |             |               |       |
| Nº  | DESCRIPCION / DESCRIPTION   | 125         | 250           | Cant. |
| 3   | BRIDA SUPERIOR Ø58 SUSP.CROSS 2004 / 2004 CROSS SUSP. UPPER CLAMP Ø58 |             | BC250414001   | 1     |
| 9   | BRIDA INFERIOR Ø61 SUSP. CROSS / CROSS SUSP. LOWER CLAMP Ø61          |             | BC250414002   | 1     |
| 28  | CHASIS CROSS 2005 / CROSS FRAME 2005                                  | BC120610000 | BC250610000   | 1     |
| 30  | TUERCA AUTOBLOCANTE M8 BAJA / LOW M8 SELF-LOCKING NUT                 | -           | T2108001      | 1     |
| 38  | CASQUILLO CROSS 125 / CROSS 125 BUSHING                               | BE120110065 | -             | 2     |
| 49  | TUERCA ENJAULADA / CAGED NUT  |             | T2606000      | 6     |
| <b>Solo SUPERMOTARD SM / Only SUPERMOTAR SM</b>   |   |             |               |       |
| Nº  | DESCRIPCION / DESCRIPTION   |             | 250           | Cant. |
| 39  | COLA CHASIS CON ESTRIBOS SM 2004 / SM 2004 FRAME TAIL WITH FOOTRESTS  |             | BE250410001SM | 1     |
| 48  | CAVALLETE EC-2005 SUPERMOTARD / SUPERMOTARD EC-2005 SUPPORT           |             | BE250512010SM | 1     |
| 74  | ESTRIBO TRASERO DERECHO / REAR RIGHT FOOTREST                         |             | BE250410102SM | 1     |
| 75  | ESTRIBO TRASERO IZQUIERDO / REAR LEFT FOOTREST                        |             | BE250410103SM | 1     |
| 76  | MUELLE ESTRIBO TRASERO / REAR FOOTRE+B353ST SPRING                    |             | BIE500110037  | 2     |
| 77  | CASQUILLO GUÍA ESTRIBO TRASERO / REAR FOOTREST GUIDE BUSHING          |             | BIE500110104  | 2     |
| 78  | TORNILLO / SCREW  |             | T0308045      | 2     |
| 79  | ARANDELA / WASHER   |             | T4008017      | 2     |

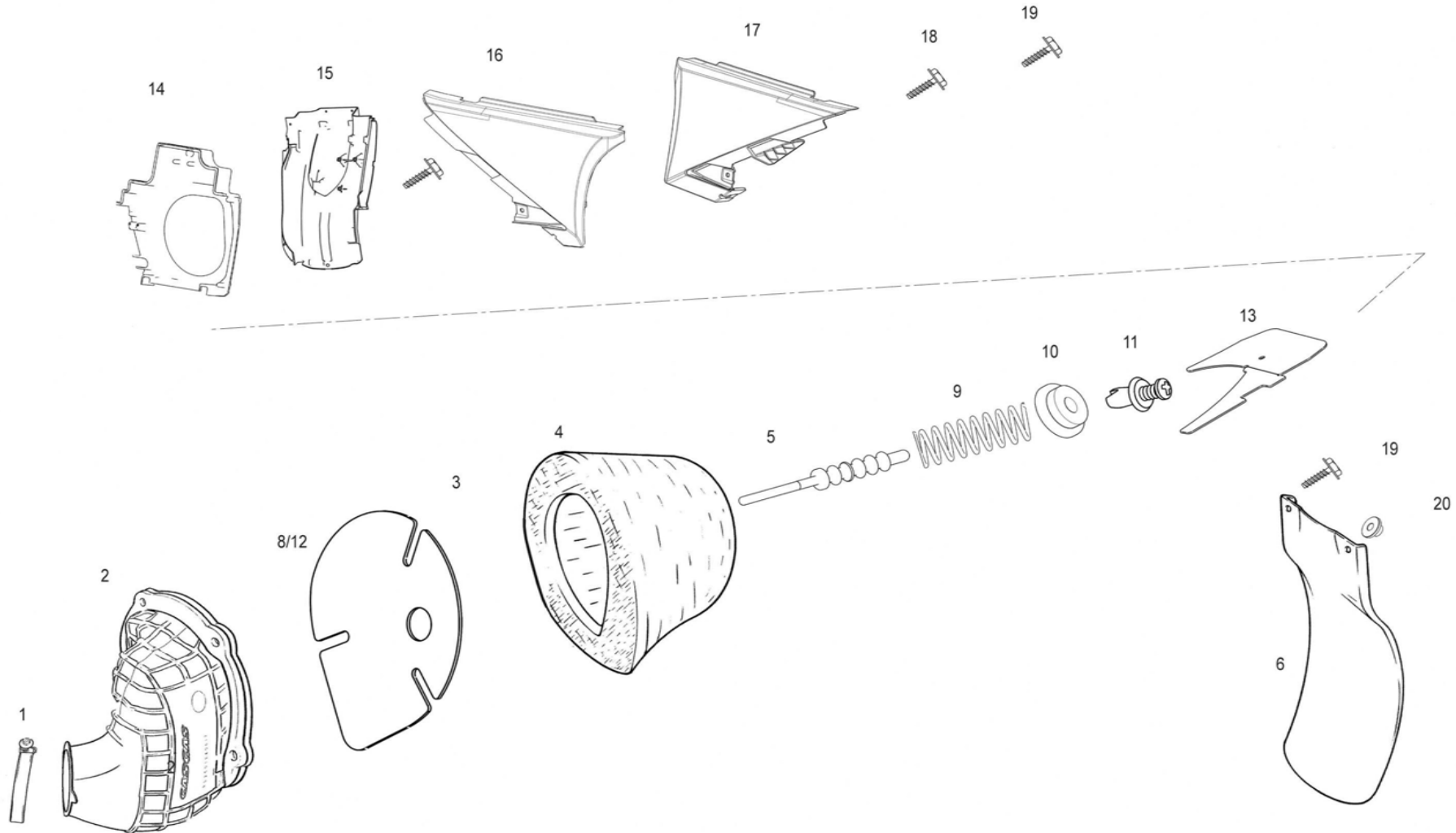
**GAS GAS**

**Chasis 5**

**Filtro de aire I**  
**Air filter**

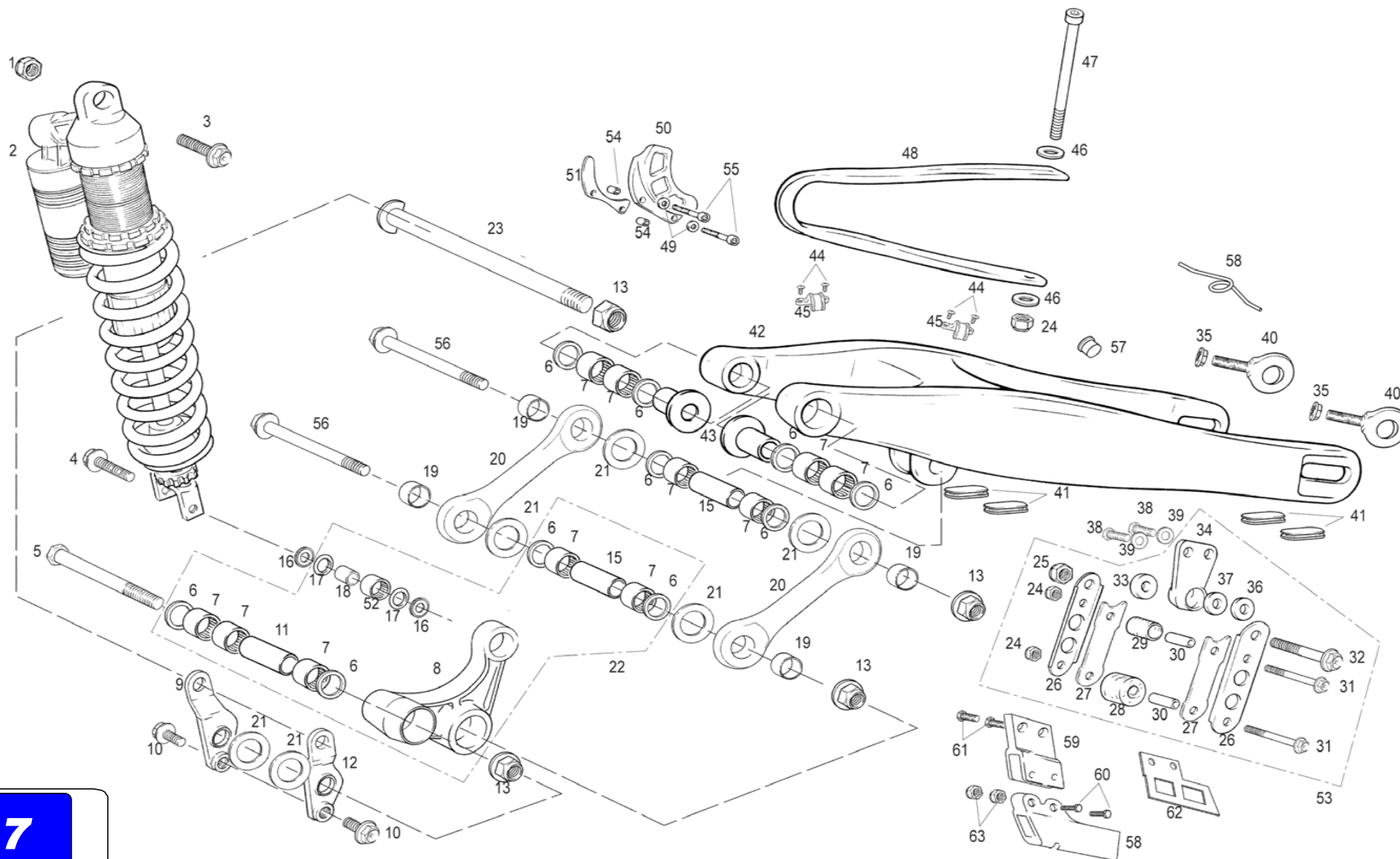
**GAS GAS**

**ECIMCISM 2007**





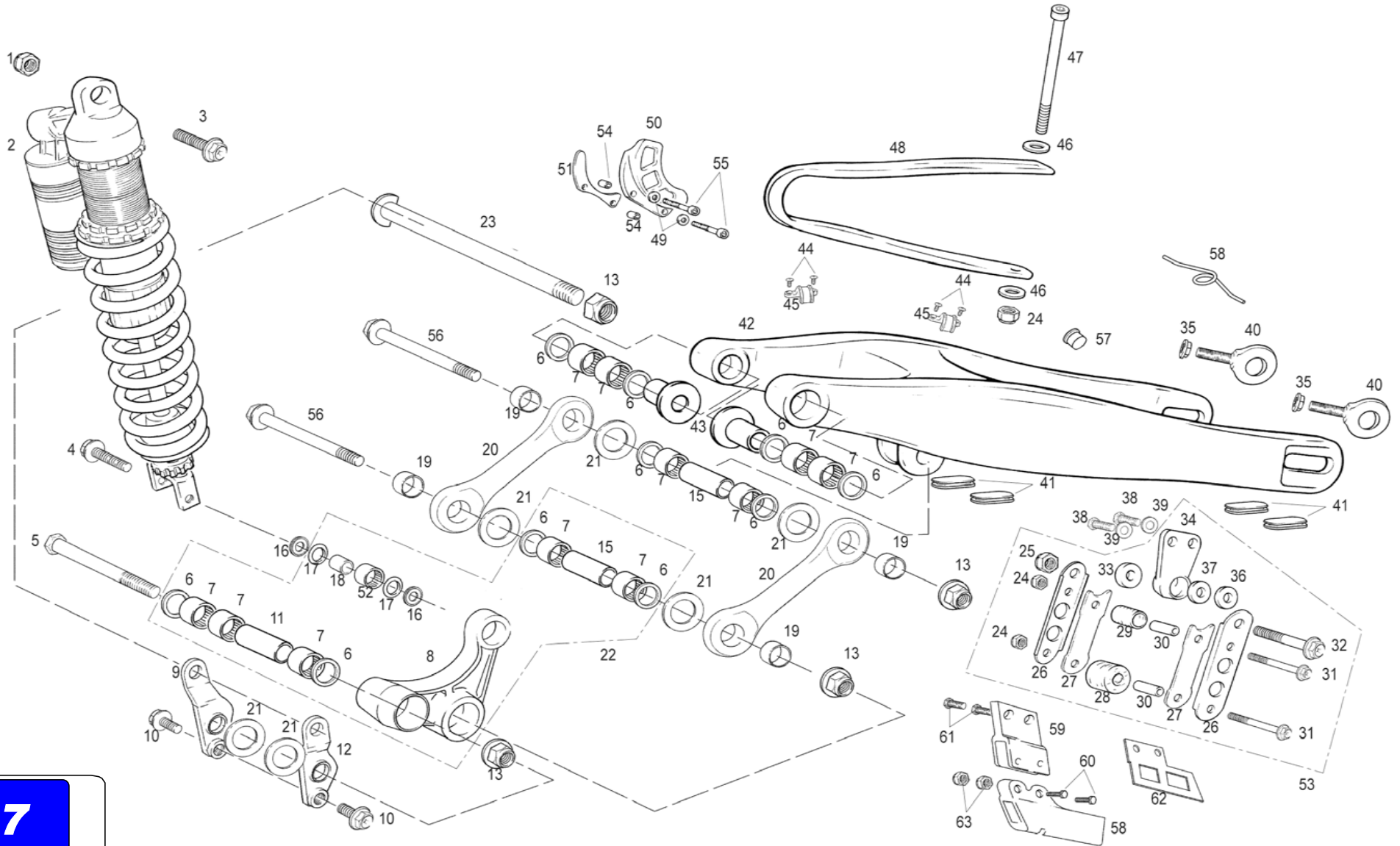




| Nº  | DESCRIPCION / DESCRIPTION   | 125/200     | 250/300       | SM           | Cant. |
|-----|---|-------------|---------------|--------------|-------|
| 1   | TUERCA AUTOBLOCANTE M10+C41 / SELF-LOCKING NUT M10                      | -           | T3110002      |              | 1     |
| 2   | AMORTIGUADOR TRASERO / REAR SHOCK ABSORBER                              | BE120714004 | BE250714004   | BTL400214004 | 1     |
| 3   | TORNILLO ESPECIAL M10X55 / SPECIAL SCREW M10X55                         |             | T0210055      |              | 1     |
| 4   | TORNILLO M10X40X1,25 / BOLT M10X40X1.25                                 |             | T0110042      |              | 1     |
| 5   | TORNILLO ESPECIAL 14X110 / SPECIAL SCREW 14X110                         |             | T0214110      |              | 1     |
| 6   | TÓRICA 3.5X21 / 3.5X21 O'RING   |             | BE250510011   |              | 10    |
| 7   | JAULA AGUJAS 22BM2816 / 22BM2816 NEEDLES BEARING                        |             | BE25614010    |              | 11    |
| 8   | BALANCÍN / ROCKER ARM   |             | BE25614005    |              | 1     |
| 9   | SOPORTE BALANCÍN DERECHO / RIGHT ROCKER ARM SUPPORT                     |             | BE250314006   |              | 1     |
| 10  | TORNILLO ESPECIAL 12X25X1,25 / SPECIAL SCREW 12X25X1.25                 |             | T02012025     |              | 2     |
| 11  | CASQUILLO 14X22X62,5 / BUSHING 14X22X62.5                               |             | BE25612005    |              | 1     |
| 12  | SOPORTE BALANCÍN IZQUIERDO / LEFT ROCKER ARM SUPPORT                    |             | BE250314007   |              | 1     |
| 13  | TUERCA BASCULANTE TT / NUT  |             | BE25612009    |              | 4     |
| 15  | CASQUILLO 14X22X57 / BUSHING 14X22X57                                   |             | BE25612014    |              | 2     |
| 16  | ARANDELA REGLAJE 21X10,2X1 / SETTING WASHER 21X10.2X1                   |             | T4001022      |              | 2     |
| 17  | TÓRICA BIELETA 15X3,5 / CONNECTING ROD O'RING                           |             | BE25814015    |              | 2     |
| 18  | CASQUILLO INFERIOR AMORTIG. D.16X21X10 / SHOCK ABSORBER BUSHING (LOWER) |             | BE25642005    |              | 1     |
| 19  | CASQUILLO BIELETA / CONNECTING ROD BUSHING                              |             | BE25642002    |              | 4     |
| 20  | BIELETA / CONNECTING ROD  | BE120114008 | BC250014008   |              | 2     |
| 20A | BIELETA SM 125 / CONNECTING ROD   | BC250014008 | -             |              | 2     |
| 21  | ARANDELA 22,4X36X0,7 REGLAJE / SETTING WASHER 22.4X36X0.7               |             | T4022036      |              | 6     |
| 22  | BALANCÍN EC COMPLETO / EC ROCKER ARM SET                                |             | BE250514005CT |              | 1     |
| 23  | EJE BASCULANTE / SWINGARM SHAFT   |             | BE250312008   |              | 1     |
| 24  | TUERCA AUTOBLOCANTE M6 ALTA / HIGH SELF LOCKING NUT M6                  |             | T2106002      |              | 3     |
| 25  | TUERCA AUTOBLOCANTE M8 BAJA / LOW SELF LOCKING NUT M8                   |             | T2108001      |              | 1     |
| 26  | PLATINA GUÍA CADENA / CHAIN GUIDE BRACKET                               |             | BE25912017    |              | 2     |
| 27  | TIRA NYLON ANTIRUIDO / ANTI-NOISE NYLON BAND                            |             | BE25612022    |              | 2     |
| 28  | RODILLO GUÍA CADENA 13,55X32X23,5 / CHAIN GUIDE ROLLER 13.55X32X23.5    |             | BE25610032    |              | 1     |
| 29  | RODILLO GUÍA CADENA SUPERIOR / UPPER CHAIN GUIDE ROLLER                 |             | BE25610014    |              | 1     |
| 30  | CASQUILLO GUIA CADENA / CHAIN GUIDE BUSHING                             |             | BE25610025    |              | 2     |
| 31  | TORNILLO ESPECIAL 6X45 / SPECIAL SCREW 6X45                             |             | T0206045      |              | 2     |
| 32  | TORNILLO ESPECIAL 8X45 / SPECIAL SCREW 8X45                             |             | T0208045      |              | 1     |
| 33  | DISTANCIADOR SOP. GUIA CADENA GRANDE / BIG CHAIN GUIDE SUPPORT SPACER   |             | BE25612021    |              | 1     |

**GAS GAS**

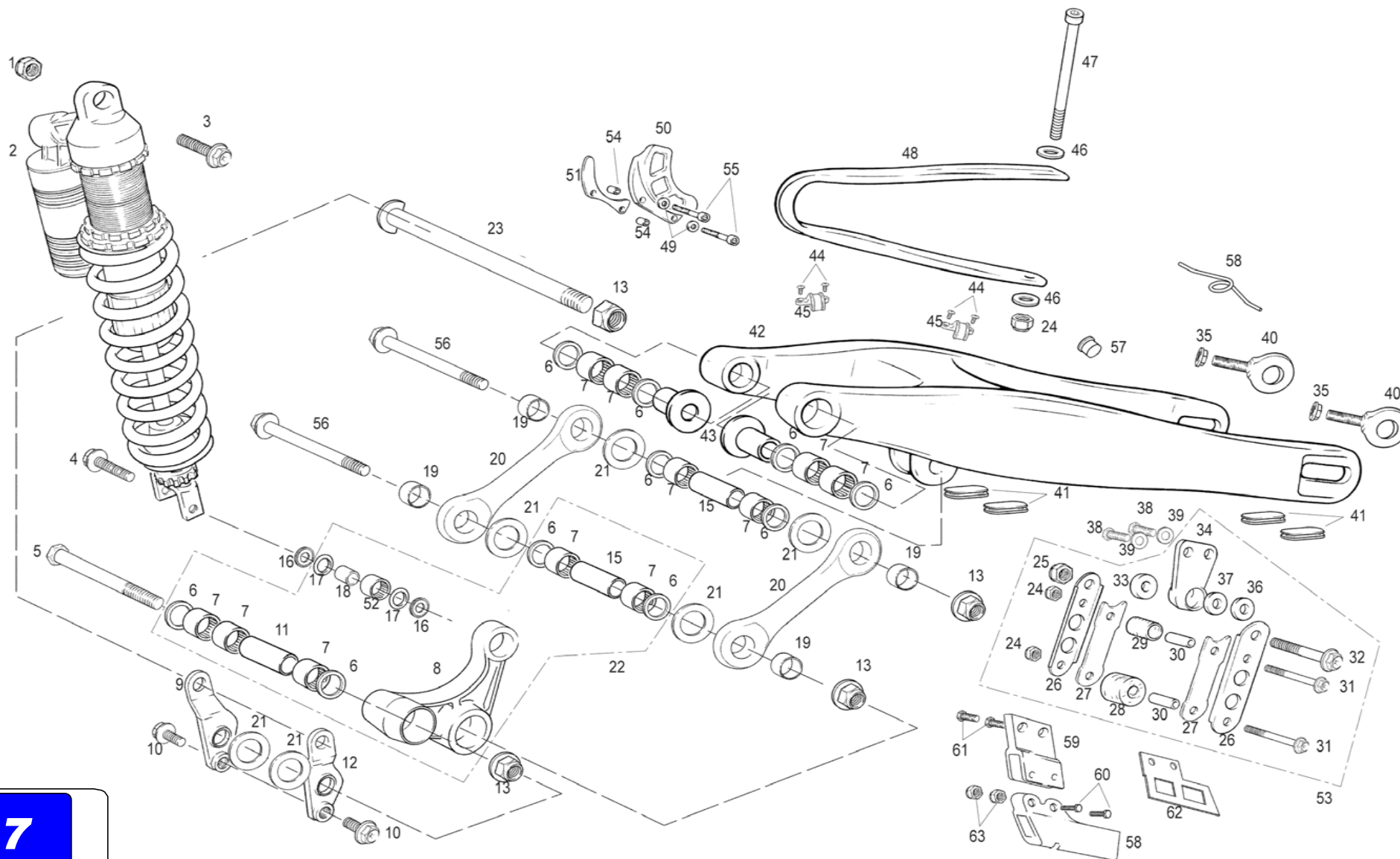
**Chasis 7**



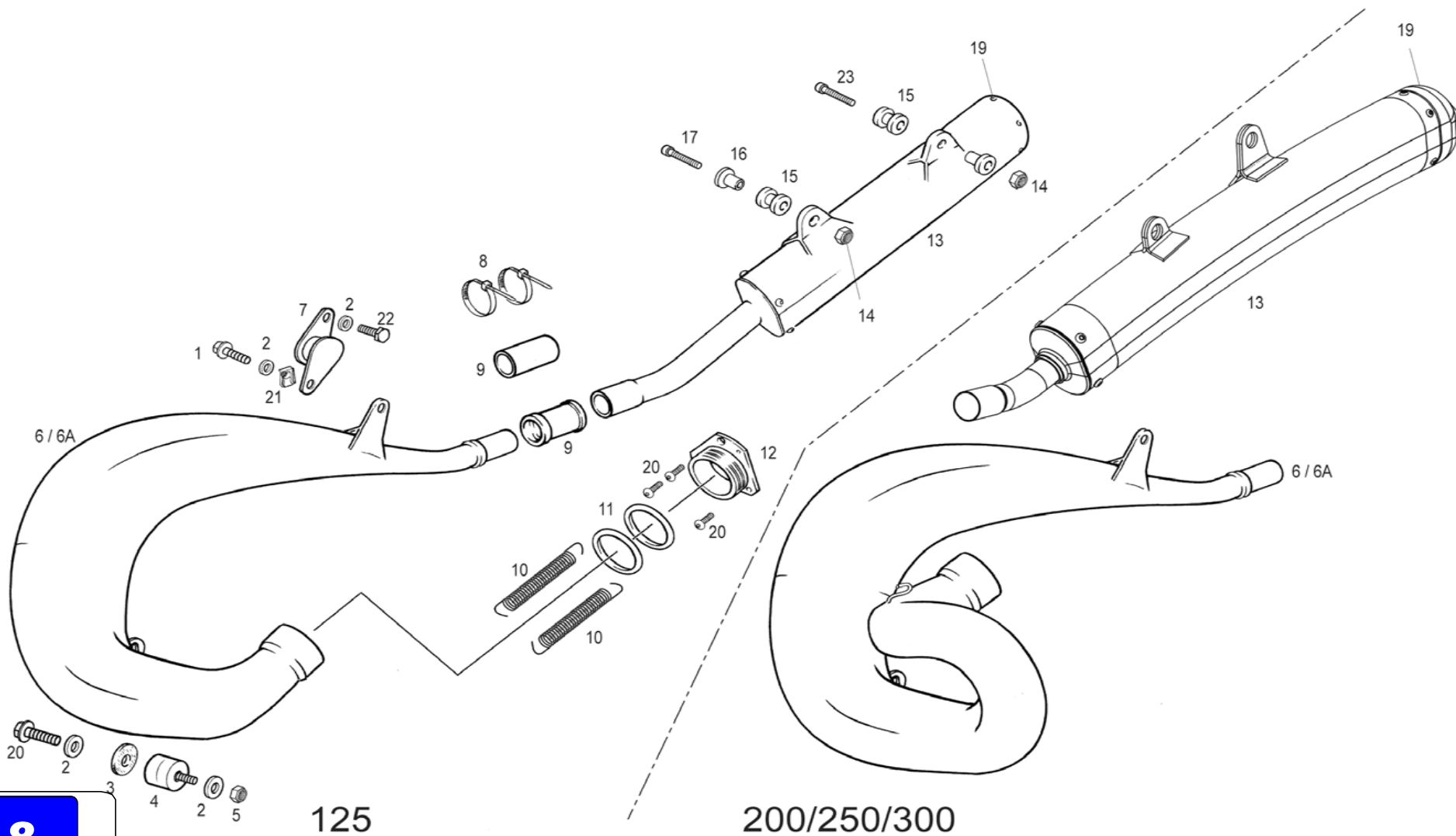
| Nº  | DESCRIPCION / DESCRIPTION  | 250/300         | Cant.         |             |       |
|---|--|-----------------|---------------|-------------|-------|
| 34  | SOPORTE GUÍA CADENA / CHAIN GUIDE SUPPORT                                | BE25612018      | 1             |             |       |
| 35  | TUERCA CILINDRO 8.8 ESP 10/150 C3 / CYLINDER NUT 8.8 ESP 10/150 C3       | M01613001       | 2             |             |       |
| Nº  | DESCRIPCION / DESCRIPTION  | 125/200/250/300 | Cant.         |             |       |
| 36  | DISTANCIADOR SOPORTE GUIA CADENA PEQ. / SMALL CHAIN GUIDE SUPPORT SPACER | BE25612020      | 1             |             |       |
| 37  | SILENTBLOCK SOPORTE GUIA CADENA / CHAIN GUIDE SUPPORT SILENTBLOCK        | BE25612019      | 1             |             |       |
| 38  | HEXAGONAL 8X20 / HEX. BOLT 8X20  | T0108020        | 2             |             |       |
| 39  | ARANDELA 8X16X1,5 / WASHER 8X16X1.5                                      | T4008016        | 2             |             |       |
| 40  | TENSOR RUEDA / WHEEL TENSOR  | BE250418022     | 2             |             |       |
| 41  | GOMA PROTECTOR BASCULANTE / SWINGARM PROTECTOR RUBBER                    | BE25836005      | 4             |             |       |
| 42  | BASCULANTE / SWINGARM  | BE250112002     | 1             |             |       |
| 43  | CASQUILLO BASCULANTE / SWINGARM BUSHING                                  | BE250312007     | 2             |             |       |
| 44  | ULS 5X12 / ULS BOLT 5X12   | T0505012        | 4             |             |       |
| 45  | SUJECIÓN LATIGUILLO SOBRE BASCULANTE / SWINGARM HOSE HOLDER              | BE25612006      | 2             |             |       |
| 46  | ARANDELA 6X18X1,5 / WASHER 6X18X1.5                                      | T4006018        | 2             |             |       |
| 47  | ALLEN 6X100 / 6X100 ALLEN BOLT   | T03060100       | 1             |             |       |
| 48  | PATÍN CADENA / CHAIN SLIDER  | BE250112015     | 1             |             |       |
| 49  | ARANDELA PLANA 6X12X1,5 / PLAIN WASHER 6X12X1.5                          | T4006012        | 2             |             |       |
| 50  | PROTECCIÓN PIÑÓN PLÁSTICO ENDURO / ENDURO PLASTIC PINION PROTECTION      | ME250036121     | 1             |             |       |
| 51  | PLATINA PROTECTOR PIÑÓN / PINION PROTECTOR BRACKET                       | ME25636021      | 1             |             |       |
| 52  | JAULA AGUJAS AL1216 / AL 1216 NEEDLES BEARING                            | BE25614009      | 1             |             |       |
| 53  | CTO. TENSOR CADENA / CHAIN TIGHTER SET                                   | BE25612018CT    | 1             |             |       |
| 54  | CASQUILLO DISTANCIADOR PIÑÓN / SPACER PINION BUSHING                     | ME250036019     | 2             |             |       |
| 55  | ALLEN 6X45 / 6X45 ALLEN BOLT   | T0306045        | 2             |             |       |
| 56  | TORNILLO ESPECIAL M14X95 / M14X95 SPECIAL SCREW                          | T0201495        | 2             |             |       |
| 57  | TAPÓN BASCULANTE BLANCO / WHITE SWINGARM CAP                             | BE250436001     | 4             |             |       |
| 58  | MUELLE TENSOR RUEDA TRAS.  | BE250718122     | 1             |             |       |
| <b>Solo Motocross MC / Only Motocross MC bike</b> |  |                 |               |             |       |
| Nº  | DESCRIPCION / DESCRIPTION  | 125             | 250           | SM 250      | Cant. |
| 2   | AMORTIGUADOR TRASERO CROSS / CROSS REAR SHOCK ABSORBER                   | BE250714004     | BE250614004RC |             | 1     |
| 20  | BIELETA / CONNECTING ROD   | BE120114008     | BC250014008   |             | 2     |
| 58  | GUÍA CADENA CROSS / CROSS CHAIN GUIDE                                    |                 | BC250212028   | BC250212028 | 1     |
| 59  | SOPORTE GUÍA CADENA CROSS / CROSS CHAIN GUIDE SUPPORT                    |                 | BC250221018   | BC250221018 | 1     |
| 60  | TORNILLO ESPECIAL 6X45 / 6X45 SPECIAL SCREW                              |                 | T0206045      | T0206045    | 2     |
| 61  | ALLEN 8X20 / 8X20 ALLEN  |                 | T0308020      | T0308020    | 2     |

**GAS GAS**

**Chasis 7**





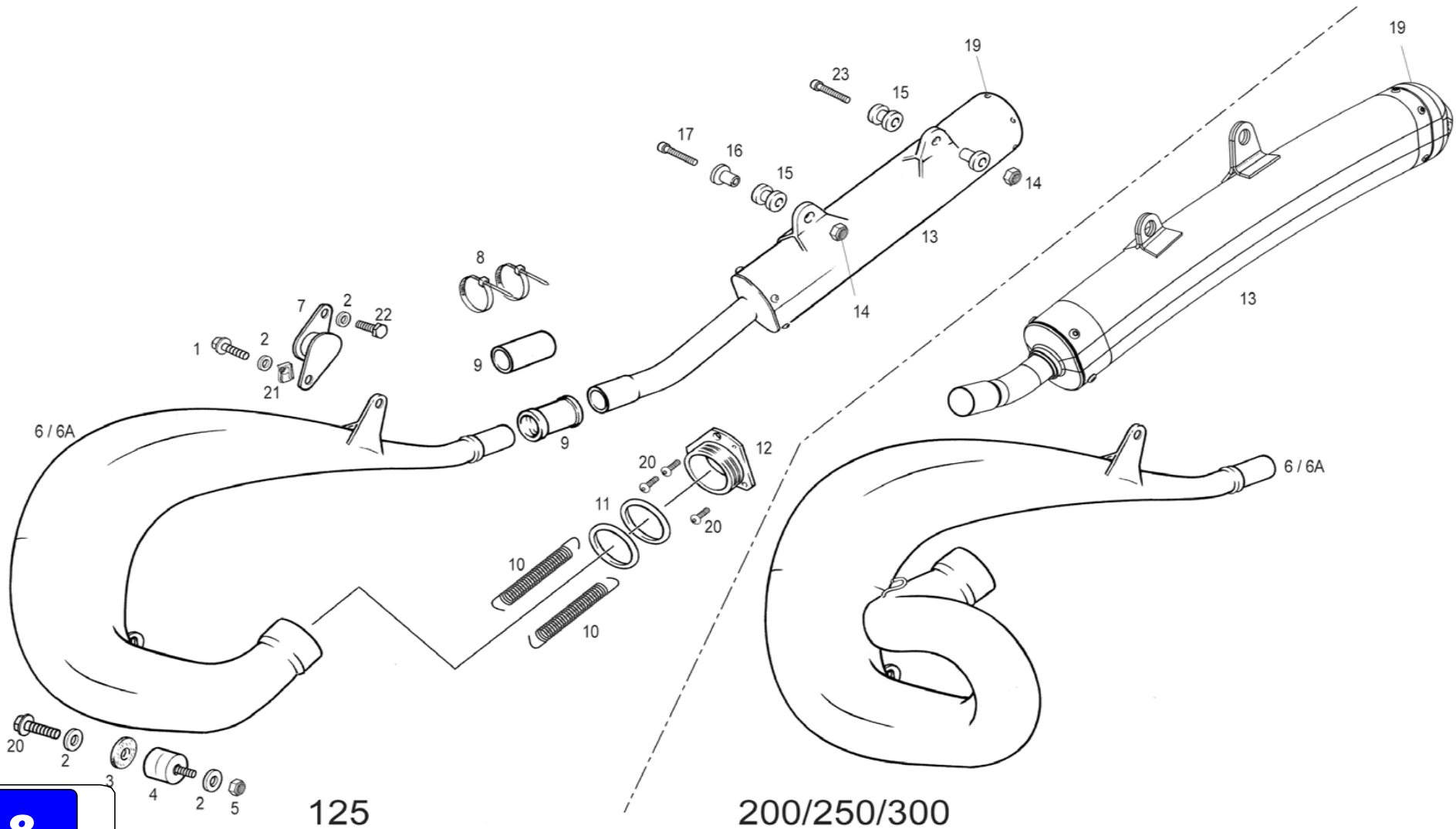




| Nº | DESCRIPCION / DESCRIPTION  | 125          | 200         | 250          | 300         | Cant. |
|----|--|--------------|-------------|--------------|-------------|-------|
| 1  | HEXAGONAL 6X15 / HEXAGONAL   |              |             | T0106015     |             | 1     |
| 2  | ARANDELA 6X18X1,5 / 6X18X1.5 WASHER                                |              |             | T4006018     |             | 4     |
| 3  | ARANDELA KLINGERIT / KLINGERIT WASHER                              |              |             | T4006725     |             | 1     |
| 4  | SILENTBLOCK ESCAPE / EXHAUST SILENTBLOCK                           |              |             | BE25626007   |             | 1     |
| 5  | TUERCA AUTOBLOCANTE BAJA M6 / LOW SELF-LOCKING NUT M6              |              |             | T2106001     |             | 1     |
| 6  | TUBO ESCAPE / EXHAUST PIPE   | BE120326001  | BE250326001 | BE250326001  | BE250326001 | 1     |
| 6A | TUBO ESCAPE CATALIZADO / CATALYZED EXHAUST PIPE                    | BE120626001H |             | BE250626001H |             | 1     |
| 7  | SILENTBLOCK ESCAPE / EXHAUST SILENTBLOCK                           | --           |             | BE25626004   |             | 1     |
| 8  | BRIDA UNEX 4,8X36 / UNEX CLAMP 4.8X36                              |              |             | BE25634007   |             | 2     |
| 9  | JUNTA ESCAPE / EXHAUST GASKET                                      | BE12626003   |             | BE25626003   |             | 1     |
| 10 | MUELLE ESCAPE / EXHAUST SPRING                                     | --           |             | BE25610042   |             | 2     |
| 11 | TÓRICA TUBERA ESCAPE 44X3 FP / EXHAUST O'RING                      |              |             | BE250526006  |             | 2     |
| 12 | TUBERA ESCAPE / EXHAUST PIPE                                       | ME120316019  |             | ME250516019  |             | 1     |
| 13 | SILENCIOSO / SILENCER  | BE120626002H | BE200326002 | BE250326002  |             | 1     |
| 14 | TUERCA AUTOBLOC. DIN-6926 M6 C/ARAN. / SELF-BLOCKING NUT WITH WAS. | ----         |             | T2206002     |             | 2     |
| 15 | SILENTBLOCK SILENCIADOR / SILENTBLOCK SILENCER                     |              |             | BE250026005  |             | 2     |
| 16 | CASQUILLO SILENTBLOCK SILENCIOSO / SILENTBLOCK SILENCER BUSHING    |              |             | BE250026000  |             | 2     |
| 17 | ALLEN 6X30 / ALLEN BOLT 6X30                                       |              |             | T0306030     |             | 1     |
| 19 | REMACHE D.4 SILENCIOSO / SILENCER RIVET D4                         | ----         |             | BE250026032  |             | 6     |
| 20 | TORNILLO HEXAGONAL CON ARANDELA 6X14 / HEXAGONAL WITH WASHER       |              |             | T0206014     |             | 4     |
| 21 | TUERCA RAPIDA NUT M6 / M6 FAST NUT                                 |              |             | T2606000     |             | 1     |
| 22 | TORNILLO ESPIRAL 6X16 / SCREW                                      |              |             | T0206016     |             | 1     |
| 23 | ALLEN 6X50 / 6X50 BOLT   |              |             | T0306050     |             | 1     |
| 25 | CATALIZADOR 125 / 125 CATALYST                                     | BE120126250  |             |              |             | 1     |
| 26 | FILTRO AIRE SECUNDARIO / SECONDARY AIR FILTER                      | -            | BT280626059 | BT280626059  | BT280626059 | 1     |
| 27 | TUBO GOMA ESCAPE A VÁLVULA / EXHAUST TO VALVE RUBBER TUBE          | -            | BE250626061 | BE250626061  | BE250626061 | 1     |
| 28 | TUBO GOMA VÁLVULA A FILTRO / VALVE TO FILTER RUBBER TUBE           | BE120626062  | BE250626062 | BE250626062  | BE250626062 | 1     |
| 29 | ABRAZADERA COBRA 17  | BIT50010033  | BIT50010033 | BIT50010033  | BIT50010033 | 3     |
| 30 | PROTECTOR ESCAPE HOMOLOGADO / ACCREDITED EXHAUST PROTECTOR         | -            | BE250626254 | BE250626254  | BE250626254 | 1     |
| 31 | ABRAZADERA 50-70 / 50-70 CLAMP                                     | -            | BE250328033 | BE250328033  | BE250328033 | 1     |
| 32 | ABRAZADERA 70-90 / 70-90 CLAMP                                     | -            | BE250626255 | BE250626255  | BE250626255 | 1     |
| 6  | TUBO ESCAPE CROSS / EXHAUST PIPE                                   | BE120326001  |             | BC250326001  |             | 1     |
| 13 | SILENCIOSO CROSS / CROSS SILENCER                                  | BC120326002  |             | BC250326002  |             | 1     |

**GAS GAS**

**Chasis 8**

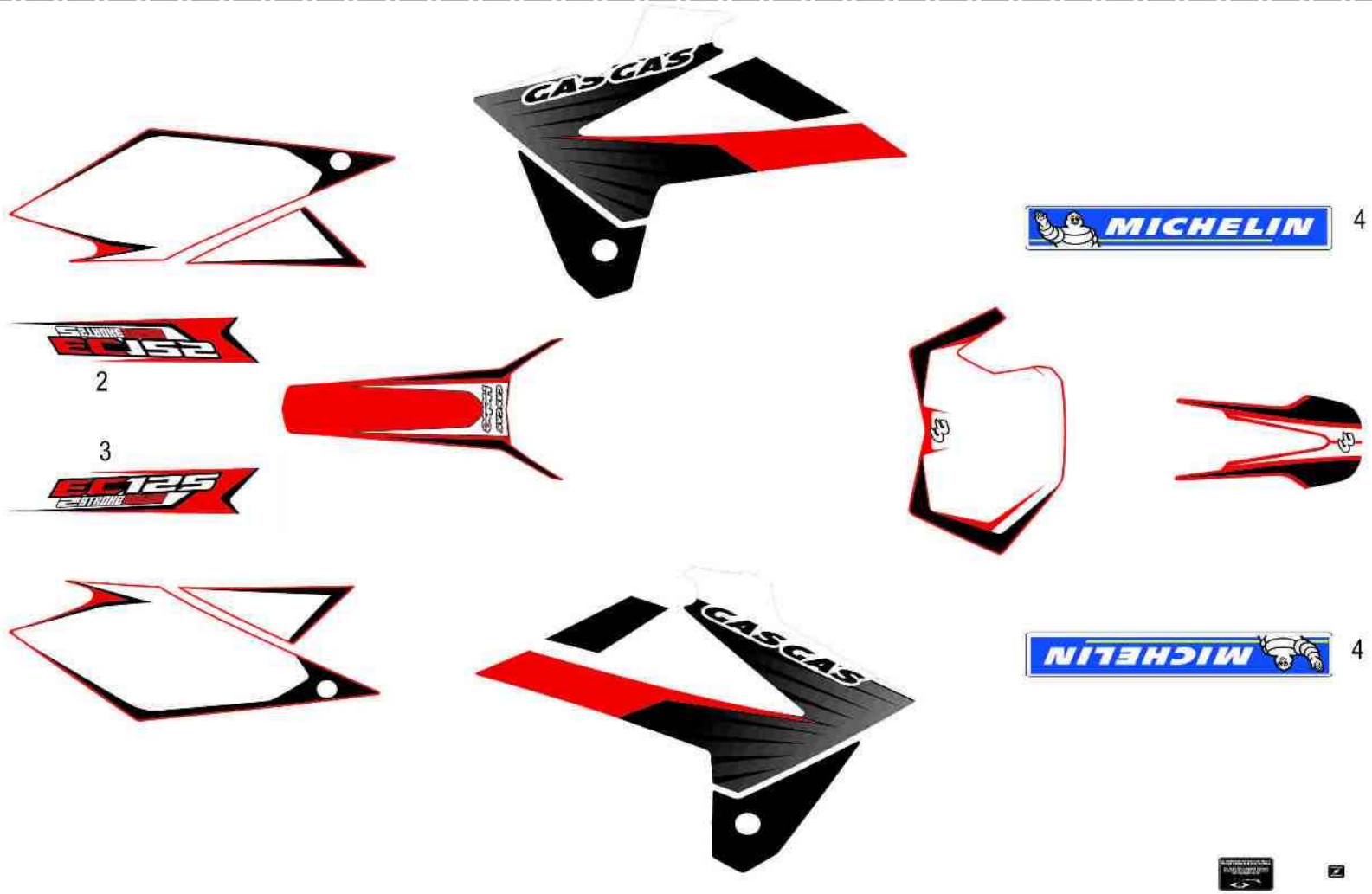


125

200/250/300



1



2

3

4

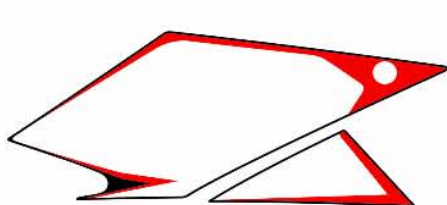
4

| Nº | DESCRIPCION / DESCRIPTION                                   | rojo-red    | Cant. |
|----|---|-------------|-------|
| 1  | CTO. ADH. EC-125 2007 / EC-2007 STICKERS SET                | -           | 1     |
| 1A | CTO. ADH. EC-200 2007 / EC-2007 STICKERS SET                | -           | 1     |
| 1B | CTO. ADH. EC-250 2007 / EC-2007 STICKERS SET                | BE250738000 | 1     |
| 1C | CTO. ADH. EC-250 AZUL 2007 / EC-2007 STICKERS SET           | -           | 1     |
| 1D | CTO. ADH. EC-300 2007 / EC-2007 STICKERS SET                | -           | 1     |
| 1E | CTO. ADH. MC-125 2007 / MC-125 - 2007 STICKERS SET          |             | 1     |
| 1F | CTO. ADH. MC-250 2007 / MC- 250 - 2007 STICKERS SET         | BC250738000 | 1     |
| 2  | ADH. 2T BASCULANTE IZQ. EC 125/ EC 125 LEFT 2T STICKER ARM  | BE120738006 | 1     |
| 2A | ADH. 2T BASCULANTE DER. EC 125/ EC 125 RIGHT 2T STICKER ARM | BE120738005 | 1     |
| 2B | ADH. 2T BASCULANTE IZQ. EC 200/ EC 200 LEFT 2T STICKER ARM  | BE200738008 | 1     |
| 2C | ADH. 2T BASCULANTE DER. EC 200/ EC 200 RIGHT 2T STICKER ARM | BE200738005 | 1     |
| 2D | ADH. 2T BASCULANTE IZQ. EC 250/ EC 250 LEFT 2T STICKER ARM  | BE250738006 | 1     |
| 2E | ADH. 2T BASCULANTE DER. EC 250/ EC 250 RIGHT 2T STICKER ARM | BE250738005 | 1     |
| 2F | ADH. 2T BASCULANTE IZQ. EC 250/ EC 250 LEFT 2T STICKER ARM  | -           | 1     |
| 2G | ADH. 2T BASCULANTE DER. EC 250/ EC 250 RIGHT 2T STICKER ARM | -           | 1     |
| 2H | ADH. 2T BASCULANTE IZQ. EC 300/ EC 2300 LEFT 2T STICKER ARM | BE300738006 | 1     |
| 2J | ADH. 2T BASCULANTE DER. EC 300/ EC 300 RIGHT 2T STICKER ARM | BE300738005 | 1     |
| 2K | ADH. 2T BASCULANTE IZQ. MC 125/ MC 125 LEFT 2T STICKER ARM  | BC120738006 | 1     |
| 2L | ADH. 2T BASCULANTE DER. MC 125/ MC 125 RIGHT 2T STICKER ARM | BC120738005 | 1     |
| 2M | ADH. 2T BASCULANTE IZQ. MC 250/ MC 250 LEFT 2T STICKER ARM  | BC250738006 | 1     |
| 2N | ADH. 2T BASCULANTE DER. MC 250/ MC 250 RIGHT 2T STICKER ARM | BC250738005 | 1     |
| 11 | ADH. MICHELÍN HORQUILLA / FRONT FORK MICHELIN STICKER       | PU000538001 | 2     |

GAS GAS

***Chasis 9***

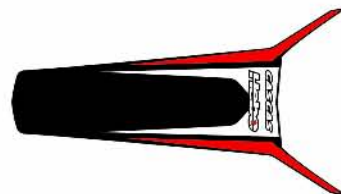
1



4



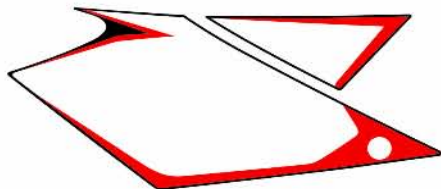
2



3

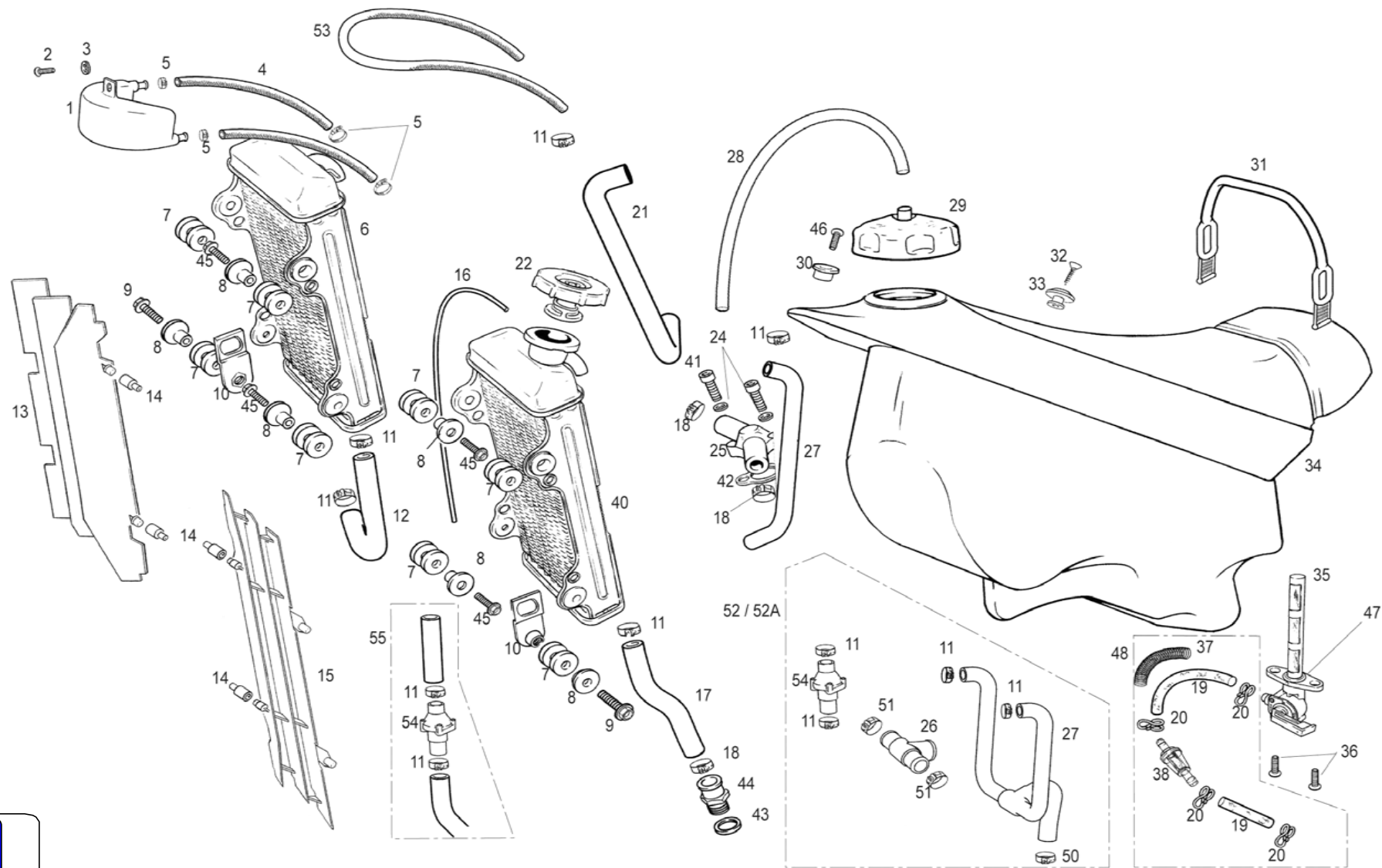


4



2



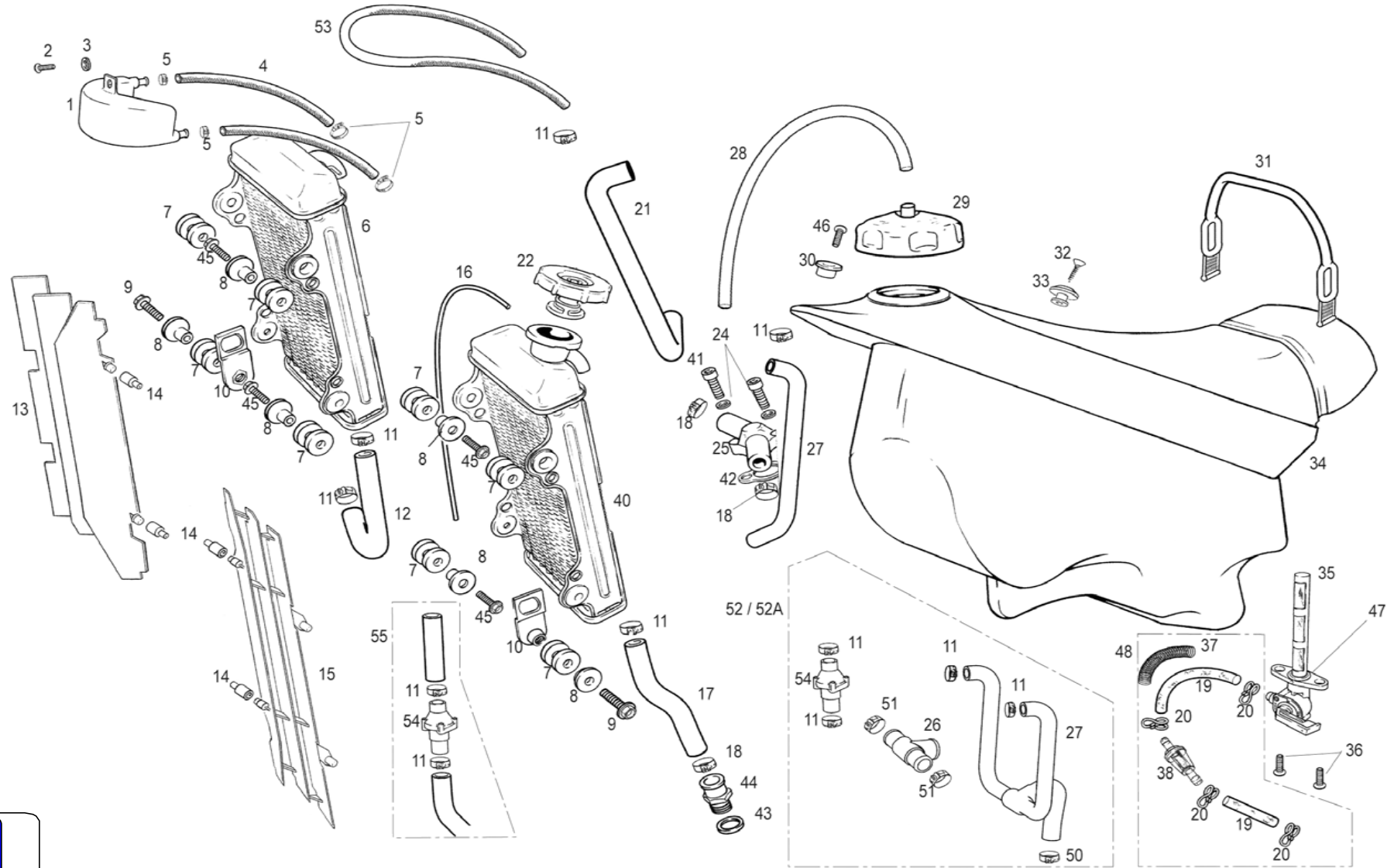




| Nº | DESCRIPCION / DESCRIPTION   | 125         | 200/250/300  | Cant. |
|----|---|-------------|--------------|-------|
| 1  | VASO EXPANSIÓN / EXPANSION TANK                                   |             | BE250132005  | 1     |
| 2  | ULS 6X16 / 6X16 ULS   |             | T0506016     | 1     |
| 3  | ARANDELA 6X12X1,5 / 6X12X1,5 WASHER                               |             | T4006012     | 1     |
| 4  | TUBO RADIADOR AL VASO EXPANSIÓN / RADIATOR TO EXPANSION TANK HOSE |             | BE250732008  | 2     |
| 5  | ABRAZADERA MUELLE / SPRING CLAMP                                  |             | BE250210047  | 4     |
| 6  | RADIADOR DERECHO / RIGHT RADIATOR                                 | BE120732000 | BE250732000  | 1     |
| 7  | SILENTBLOCK RADIADOR / RADIATOR SILENTBLOC                        |             | BIE500132031 | 8     |
| 8  | CASQUILLO INF. SUJ. RADIADOR / LOWER RADIATOR HOLDER BUSHING      |             | BE25832040   | 5     |
| 9  | TORNILLO ESPECIAL 6X16 / SPECIAL SCREW 6X16                       |             | T0206016     | 2     |
| 10 | PLÁSTICO LATERAL RADIADOR / RADIATOR SIDE PLASTIC                 |             | BE25632015   | 2     |
| 11 | ABRAZADERA COBRA DE 22 / COBRA CLAMP 22                           |             | L200038      | 8     |
| 12 | TUBO RADIADOR INFERIOR DERECHO / RIGHT LOWER RADIATOR HOSE        | BE120132006 | BE25632006   | 1     |
| 13 | REJILLA RADIADOR DERECHO / RIGHT RADIATOR RACK                    |             | BE250720001  | 1     |
| 15 | REJILLA RADIADOR IZQUIERDO / LEFT RADIATOR RACK                   |             | BE250720002  | 1     |
| 16 | TUBO SOBRANTE RAD. 5X8 – 39CM. / RADIATOR BREATHE HOSE 5X8 – 39CM |             | BE25632009   | 1     |
| 17 | TUBO RADIADOR INFERIOR IZQUIERDO / LEFT LOWER RADIATOR HOSE       | BE25632007  | BE250432007  | 1     |
| 18 | ABRAZADERA COBRA 21 / COBRA CLAMP 21                              |             | L200046      | 3     |
| 19 | TUBO GASOLINA 16 CM. TRENZADO / FUEL HOSE 16 CM                   |             | BE25636004   | 1     |
| 20 | ABRAZADERA MUELLE M-12.3 / SPRING CLAMP M-12.3                    |             | BE25610044   | 4     |
| 21 | TUBO RADIADOR SUPERIOR DERECHO / RIGHT UPPER RADIATOR HOSE        | BE250732012 | BE250732012  | 1     |
| 22 | TAPÓN RADIADOR / RADIATOR CAP                                     |             | L200110      | 1     |
| 23 | TUBO CULATA / CYLINDER HEAD HOSE                                  | BE120332018 | -            | 1     |
| 24 | ARANDELA COBRE 6x10x1.5 TAPA TERMOSTATO / 6x10x1.5 WASHER         |             | ME25916002   | 2     |
| 25 | TAPA TERMOSTATO / TERMO COVER                                     |             | ME250316001  | 1     |
| 26 | TUBO BIFURCACIÓN RADIADOR / RADIATOR FORK TUBE                    | BE120132011 | -            | 1     |
| 27 | TUBO RADIADOR SUPERIOR IZQUIERDO / LEFT UPPER RADIATOR HOSE       | BE250732002 | BE250732002  | 1     |
| 28 | TUBO DEPÓSITO LIQUIDO FRENO-BOMBA / BRAKE FLUID TANK TO PUMP HOSE |             | BE250520011  | 1     |
| 29 | TAPÓN GASOLINA / FUEL CAP   |             | BE250520010  | 1     |
| 30 | CASQUILLO DEPÓSITO / TANK BUSHING                                 |             | BE25610007   | 1     |
| 31 | TIRA SUJECIÓN DEPÓSITO / FUEL TANK RUBBER BAND HOLDER             |             | BE250136020  | 1     |
| 32 | TORNILLO ROSCA-CHAPA 10X1 / SCREW 10X1                            |             | T0610001     | 1     |
| 33 | CASQUILLO DEPÓSITO / TANK BUSHING                                 |             | BIE050210007 | 1     |
| 34 | DEPÓSITO EC2005 / EC2005 FUEL TANK                                |             | BE250510024  | 1     |

**GAS GAS**

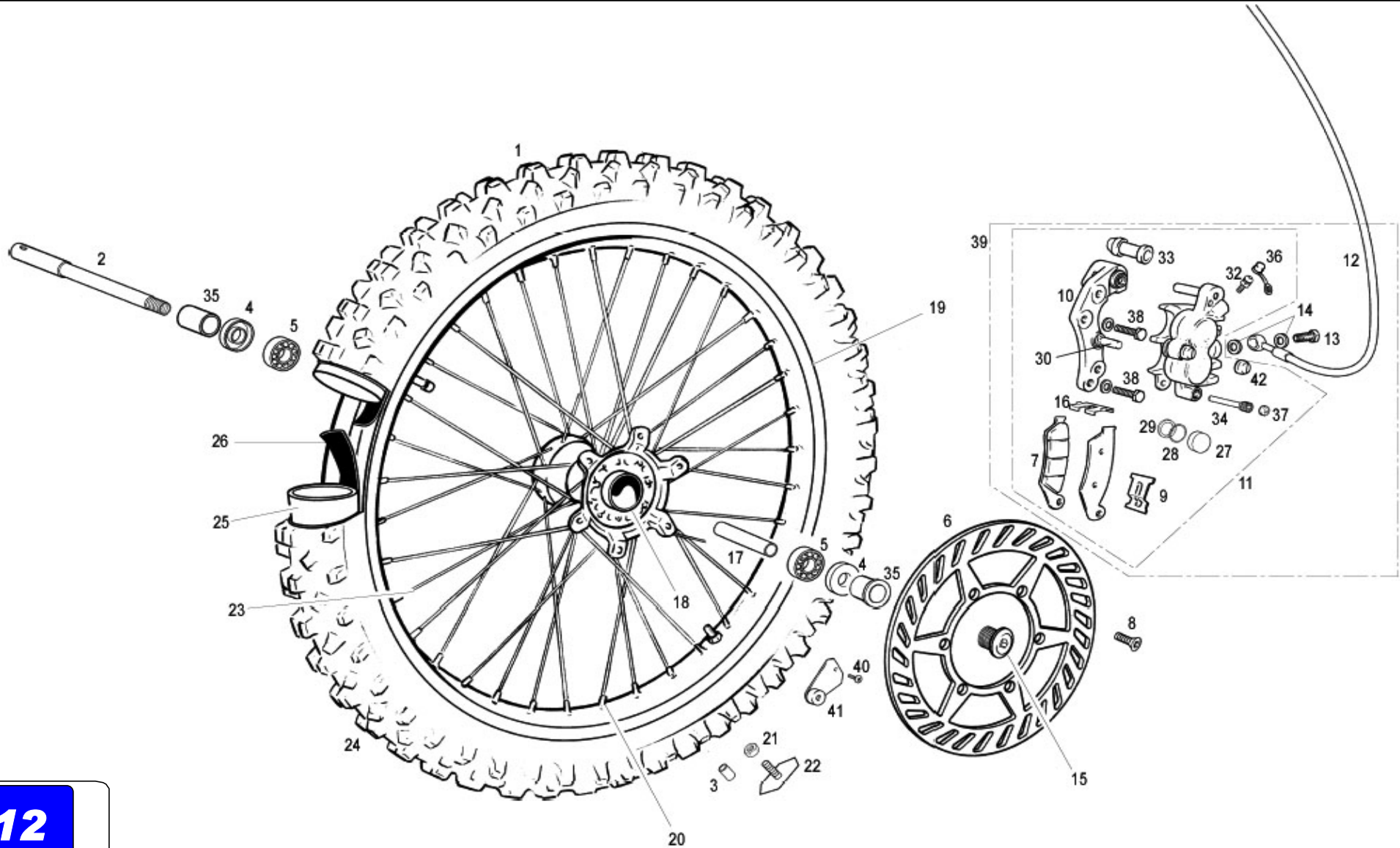
**Chasis 11**



| Nº   | DESCRIPCION / DESCRIPTION  | 125           | 200/250/300   | Cant. |
|--|--|---------------|---------------|-------|
| 35   | GRIFO GASOLINA / FUEL TAP  |               | BE25610031    | 1     |
| 36   | ULS 6X12 TOPE FRENO, PRO. FIL. / BRAKE END ULS SCREW 6X12                |               | T0506012      | 2     |
| 37   | MUELLE PROTECCIÓN TUBO GASOLINA / FUEL HOSE PROTECTOR SPRING             |               | BE25910068    | 1     |
| 38   | FILTRO GASOLINA / FUEL FILTER  |               | BE25610051    | 1     |
| 40   | RADIADOR IZQUIERDO CON TAPÓN / LEFT RADIATOR WITH CAP                    | BE120732001   | BE250732001   | 1     |
| 41   | ALLEN 5X30 / 5X30 ALLEN  |               | T0305030      | 2     |
| 42   | JUNTA TAPA TERMOSTATO / TERMOSTAT CAP GASKET                             |               | ME25944011    | 1     |
| 43   | ARANDELA RACORD ENTRADA AGUA / INLET RACORD FIBER WASHER                 |               | ME25610014    | 1     |
| 44   | RACORD ENTRADA AGUA / INLET WATER RACORD                                 |               | ME25610013    | 1     |
| 45   | ALLEN 6X20 / 6X20 ALLEN BOLT   |               | T0306020      | 4     |
| 46   | TORNILLO ESPECIAL 6X20 / 6X20 SPECIAL SCREW                              |               | T0206020      | 1     |
| 47   | TÓRICA GRIFO GASOLINA / FUEL O'RING                                      |               | B740120       | 1     |
| 48   | CTO. GASOLINA / FUEL PIPE SET  |               | BEH200610133  | 1     |
| 49   | ABRAZADERA COBRA 26 / 26 COBRA CLAMP                                     | BE120132051   |               | 1     |
| 50   | ABRAZADERA COBRA 25 / 25 COBRA CLAMP                                     | BE120132052   |               | 1     |
| 51   | ABRAZADERA COBRA 23 / 23 COBRA CLAMP                                     | L20041        |               | 2     |
| 52   | TUBO SUP. RADIADOR A CULATA / RADIATOR TO CYL.HEAD HOSE SET              | BE120732045   |               | 1     |
| 52A  | CTO. TUBOS SUP. RADIADOR A CULATA SM 125 / RADIATOR TO CYL.HEAD HOSE SET | BE120732045CT |               | 1     |
| Solo Motocross MC / Only Motocross MC bike |  |               |               |       |
| Nº   | DESCRIPCION / DESCRIPTION  | 250           |               | Cant. |
| 5  | ABRAZADERA MUELLE / SPRING CLAMP   |               | BE250210047   | 2     |
| 53   | TUBO 15 CM. LARGO / 15 CM. LONG TUBE                                     |               | BC25732008    | 1     |
| Solo SUPERMOTARD SM / Only SUPERMOTARD SM  |  |               |               |       |
| Nº   | DESCRIPCION / DESCRIPTION  | 250           |               | Cant. |
| 54   | TERMOSTATO / THERMOSTAT  |               | BE250432070   | 1     |
| 55   | CTO.TERMOSTATO SUPERMOTARD 250cc. / SUPERMOTARD THERMOSTAT SET           |               | BE250432070CT | 1     |

**GAS GAS**

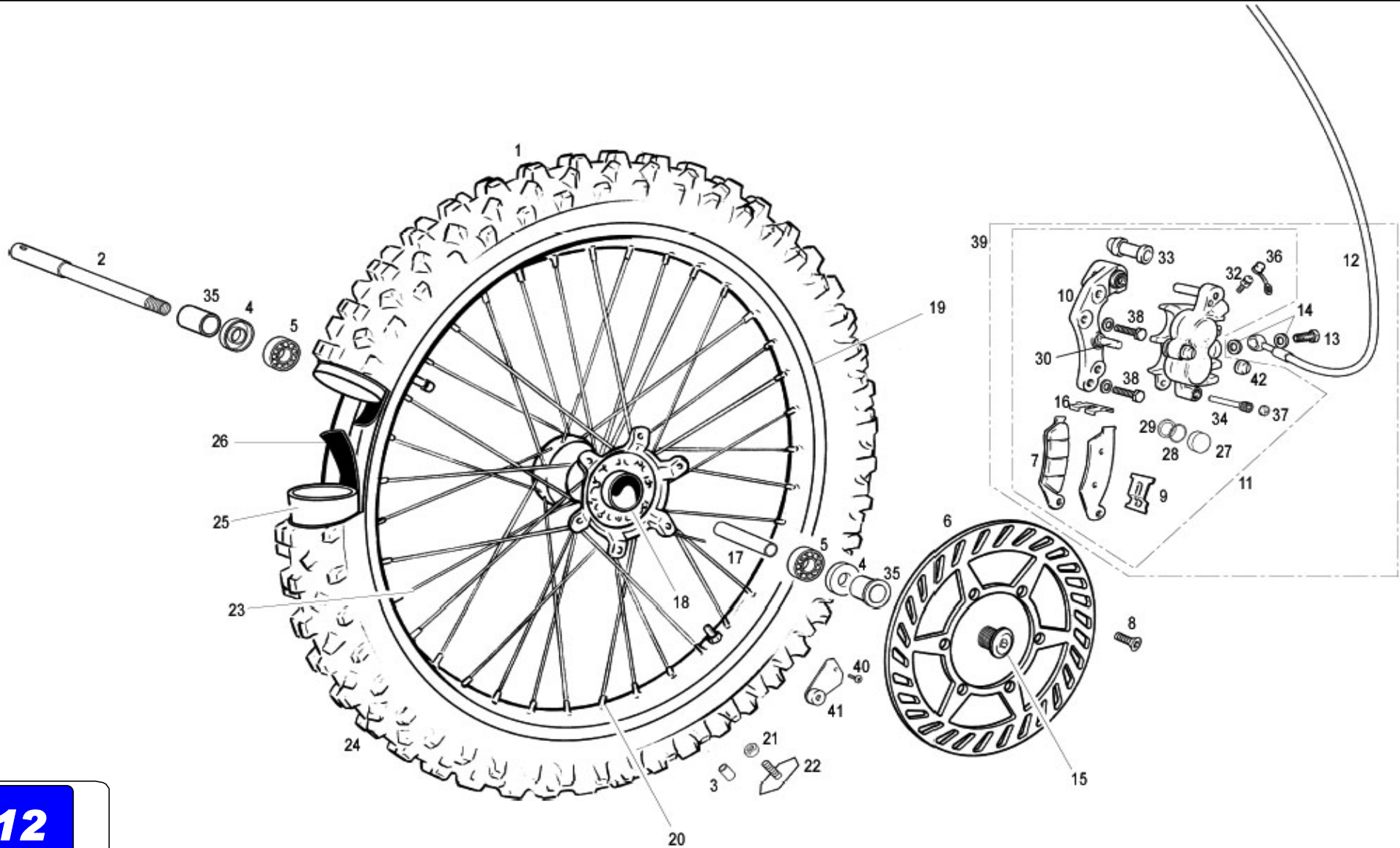
**Chasis 11**



| Nº | DESCRIPCION / DESCRIPTION  | 125/200/250/300 | Cant. |
|----|--|-----------------|-------|
| 1  | RUEDA DELANTERA / FRONT WHEEL  | BE250518000     | 1     |
| 2  | EJE RUEDA DELANTERA / FRONT WHEEL AXIS                                   | BC250718017     | 1     |
| 3  | CASQUILLO AGARRE CUBIERTA DELANTERA / FRONT TIRE HOLDING BUSHING         | BE250518048     | 1     |
| 4  | RETÉN CUBO DELANTERO 30X42X7 / 30X42X7 FRONT WHEEL GASKET                | BE250418057     | 2     |
| 5  | COJINETE 6905 2RSR / BEARING   | ME120136055     | 2     |
| 6  | DISCO FRENO DELANTERO / FRONT BRAKE DISC                                 | BE250222011     | 1     |
| 7  | PASTILLAS DE FRENO DELANTERO / FRONT BRAKE PADS                          | BE250022065     | 1     |
| 8  | HEXAGONAL 6X16 / HEXAGONAL BOLT 6X16                                     | T0106016        | 6     |
| 9  | PLATINA (A) SUJ. PASTILLAS DEL. / FRONT BRAKE PADS HOLDER BRACKET (A)    | BE250022063     | 1     |
| 10 | SOPORTE PINZA DELANTERO / FRONT CALIPER SUPPORT                          | BE250022110     | 1     |
| 11 | PINZA FRENO DELANT. / FRONT BRAKE CALIPER                                | BE250322000     | 1     |
| 12 | LATIGUILLO FRENO DELANTERO / FRONT BRAKE HOSE                            | BE250522002     | 1     |
| 13 | RACORD SUJ. LATIGUILLO 10X1,25 / HOSE HOLDER RACORD 10X1.25              | BC25722006      | 1     |
| 14 | ARANDELA LATIGUILLO 10X14X1 / HOSE WASHER 10X14X1                        | BE25622007      | 2     |
| 15 | TORNILLO EJE RUEDA DELANTERA / FRONT WHEEL AXIS BOLT                     | BE250718026     | 1     |
| 16 | PLATINA (B) SUJ. PASTILLAS DELANT. / FRONT BRAKE PADS HOLDER BRACKET (B) | BE250022064     | 1     |
| 17 | DISTANCIADOR / SPACER  | BE250418058     | 1     |
| 18 | CUBO RUEDA DELANTERO SEP. INT. ALUM. / FRONT WHEEL HUB                   | BE250418007     | 1     |
| 19 | LLANTA 1.60X21 / RIM 1.60X21   | BE250518006     | 1     |
| 20 | TUERCA RADIO DELANTERO / FRONT SPOKE NUT                                 | BE250218010     | 36    |
| 21 | TUERCA AUTOBLOCANTE M8 BAJA / M8 NUT SELF-LOCKING LOWER                  | T2108001        | 1     |
| 22 | AGARRE CUBIERTA DELANTERA / FRONT TIRE HOLDER                            | R120000         | 1     |
| 23 | RADIO DELANTERO 243X3,5 / FRONT SPOKE 243X3.5                            | BE250218009     | 36    |
| 24 | NEUMÁTICO DELANTERO 90/90-21 / FRONT TIRE 90/90-21                       | BE25618102      | 1     |
| 25 | CÁMARA DELANTERA / FRONT AIR HOSE  | BE25618001      | 1     |
| 26 | PROTECTOR BANDA DELANTERA / FRONT RIM BAND                               | BE25618028      | 1     |
| 27 | PISTÓN COMP. PINZA FRENO DELANTERO / FRONT BRAKE CALIPER PISTON          | BE250022042     | 4     |
| 28 | TÓRICA PISTÓN PINZA FRENO DELANTERO / FRONT BRAKE CALIPER PISTON O'RING  | BE250022032     | 4     |
| 29 | RETÉN PINZA FRENO DELANTERO / FRONT BRAKE CALIPER SEAL                   | BE250022033     | 4     |
| 30 | TORNILLO CLAVIJA PINZA FRENO DELANTERO / FRONT BRAKE CALIPER BOLT        | BE250022034     | 1     |
| 31 | TORNILLO CLAVIJA A PINZA FRENO DELANTERO / FRONT BRAKE TO CALIPER BOLT   | BE250022092     | 1     |
| 32 | SANGRADOR PINZA FRENO DELANTERO / FRONT BRAKE CALIPER BLEEDER            | BE250022060     | 1     |
| 33 | PROTEC. TORNILLO PINZA FRENO DEL. / FRONT BRAKE CALIPER BOLT PROT.       | BE250022039     | 1     |

**GAS GAS**

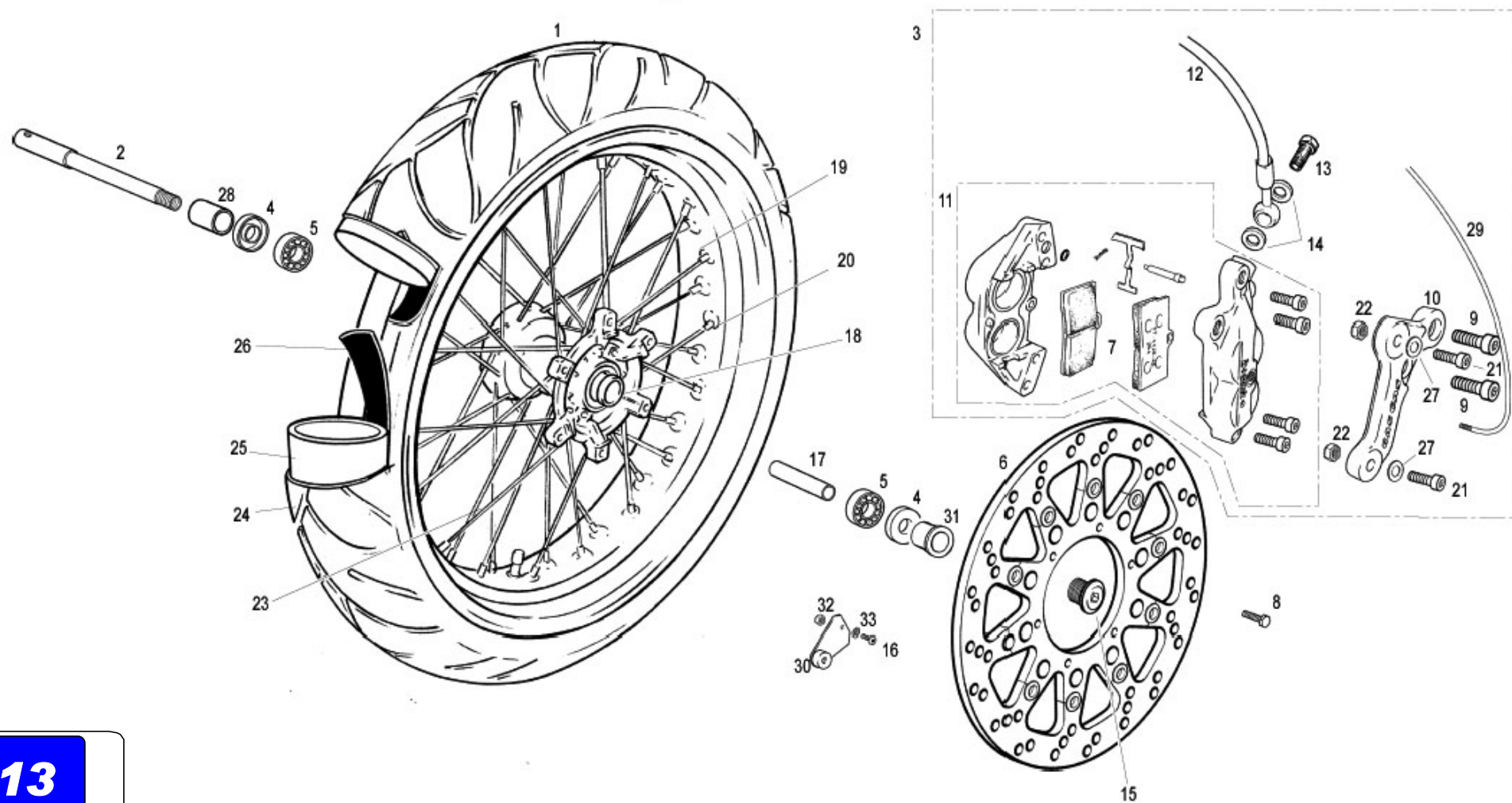
**Chasis 12**



| N° | DESCRIPCION / DESCRIPTION                                      | 125/200/250/300 | Cant. |
|----|--|-----------------|-------|
| 34 | PASADOR PASTILLAS PINZA FRENO DELANTERO / FRONT BRAKE PADS PIN | BE250022041     | 1     |
| 35 | CASQUILLO RUEDA DELANTERA / FRONT WHEEL BUSHING                | BC250418019     | 2     |
| 36 | TAPÓN SANGRADOR / BLEEDER CAP                                  | BE250022055     | 1     |
| 37 | PROTECCION PASADOR NISSIN / NISSIN PROTECTOR PIN               | BE250022095     | 1     |
| 38 | TORNILLO ESPECIAL 8X30 / SPECIAL SCREW 8X45                    | T0208030        | 2     |
| 39 | CTO. FRENO DELANTERO PURGADO / FRONT BRAKE SET                 | BE250422108     | 1     |
| 40 | ULS 3X10 NEGRO CON ARANDELA / BLACK 3X10 ULS WITH WASHER       | T0323010        | 1     |
| 41 | CTO. SOPORTE CON IMAN C.K. / SUPPORT WITH MAGNET SET           | BE250334008     | 1     |
| 42 | GUARDAPOLVO / DUST COVER                                       | BE250022093     | 1     |

**Solo Motocross MC / Only Motocross MC bike**

| N° | DESCRIPCION / DESCRIPTION                          | 125/250      | Cant. |
|----|--|--------------|-------|
| 1  | RUEDA DELANTERA CROSS / FRONT WHEEL                | BC250418000  | 1     |
| 2  | EJE RUEDA DELANTERA CROSS / CROSS FRONT WHEEL AXLE | BC250418017C | 1     |
| 7  | PASTILLAS DE FRENO DELANTERO / FRONT BRAKE PADS    | BC250022065  | 1     |
| 19 | LLANTA 1.60X21 SILVER / RIM 1.60X21                | BE25618006   | 1     |
| 24 | NEUMATICO 90-90-21 CROSS M12 / FRONT TIRE 90/90-21 | BC25718102   | 1     |
|    |  |              |       |
|    |  |              |       |
|    |  |              |       |
|    |  |              |       |
|    |  |              |       |
|    |  |              |       |
|    |  |              |       |
|    |  |              |       |
|    |  |              |       |
|    |  |              |       |
|    |  |              |       |
|    |  |              |       |
|    |  |              |       |
|    |  |              |       |
|    |  |              |       |
|    |  |              |       |
|    |  |              |       |
|    |  |              |       |
|    |  |              |       |
|    |  |              |       |





| Nº | DESCRIPCION / DESCRIPTION   | SM              | Cant. |
|----|---|-----------------|-------|
| 1  | RUEDA DELANTERA SM / SM FRONT WHEEL                                   | BE250518000SM   | 1     |
| 2  | EJE RUEDA DELANTERA / FRONT WHEEL AXIS                                | BC250018017     | 1     |
| 3  | CTO. FRENO DELANTERO PURGADO SM / PURGED FRONT BRAKE SET              | BE250522108SM   | 1     |
| 4  | RETÉN RUEDA DELANTERA / FRONT WHEEL GASKET                            |                 | 2     |
| 5  | COJINETE / BEARING  |                 | 2     |
| 6  | DISCO FRENO DELANTERO / FRONT BRAKE DISC                              | BE250322011SM   | 1     |
| 7  | PASTILLAS DE FRENO DELANTERO / FRONT BRAKE PADS                       | BE250122065SM   | 1     |
| 8  | HEXAGONAL 6X20 / HEXAGONAL BOLT 6X20                                  | T0206020        | 6     |
| 9  | ALLEN 10X25 DIN912 / ALLEN  | T0310025        | 2     |
| 10 | SOPORTE PINZA DELANTERO / FRONT CALIPER SUPPORT                       | BE250122110SM   | 1     |
| 11 | PINZA FRENO DELANTERO / FRONT BRAKE CALIPER                           | BE250122000SM   | 1     |
| 12 | LATIGUILLO FRENO DELANTERO / FRONT BRAKE HOSE                         | BE250522002SM   | 1     |
| 13 | RACORD SUJECIÓN LATIGUILLO 10X1.25 / HOSE HOLDER RACORD 10X1.25       | R320000         | 1     |
| 14 | ARANDELA LATIGUILLO 10X14X2 / HOSE WASHER 10X14X2                     | BT27922072      | 2     |
| 15 | TORNILLO EJE RUEDA DELANTERA / FRONT WHEEL AXIS BOLT                  | BE250218026     | 1     |
| 16 | ULS 3X10 NEGRO CON ARANDELA / BLACK 3X10 ULS WITH WASHER              | T0203016        | 1     |
| 17 | DISTANCIADOR / SPACER   | R170700         | 1     |
| 18 | CUBO RUEDA DELANTERA SEP. INT. ALUMÍNIO / FRONT WHEEL HUB             | BC250018007     | 1     |
| 19 | LLANTA / RIM  | BE250118006SM   | 1     |
| 20 | TUERCA RADIO DELANTERO / FRONT SPOKE NUT                              | BT27718016      | 36    |
| 21 | ALLEN 8X35 / ALLEN BOLT   | T0308035        | 2     |
| 22 | TUERCA M8 AUTOBLOCANTE CON ARANDELA / M8 SELF-LOCKING NUT WITH WASHER | T2208002        | 2     |
| 23 | RADIO DELANTERO 185X3,5 / FRONT SPOKE 185X3.5                         | BE250118009SM   | 36    |
| 24 | NEUMÁTICO DELANTERO 120/60 ZR 17 / FRONT TIRE                         | BE2501180102SM  | 1     |
| 25 | CÁMARA DELANTERA SUPERMOTARD / SUPERMOTARD FRONT AIR HOSE             | BE250118001SM   | 1     |
| 26 | PROTECTOR BANDA DELANTERA / FRONT RIM BAND                            | BE250118028/2SM | 1     |
| 27 | ARANDELA 8X16X1,5 / 8X16X1,5 WASHER                                   | T4008016        | 2     |
| 28 | DISTANCIADOR RUEDA DELANTERA / FRONT WHEEL SPACER                     | BC250018019     | 1     |
| 29 | CABLE MULTIFUNCIÓN TT 2003 / MULTIFUNCTION CABLE                      | BE250334050     | 1     |
| 30 | CTO. SOPORTE CON IMAN C.K. / SUPPORT WITH C.K. MAGNET SET             | BE120134012     | 1     |
| 31 | DISTANCIADOR RUEDA DEL. LADO FRENO / FRONT WHEEL SPACER               | BC250018018     | 1     |
| 32 | TUERCA ANTOBL. M3 / SELF-LOCKING NUT M3                               | T2103002        | 1     |
| 33 | ARANDELA 12x4X1 / WASHER 12X4X1                                       | T4004012        | 1     |

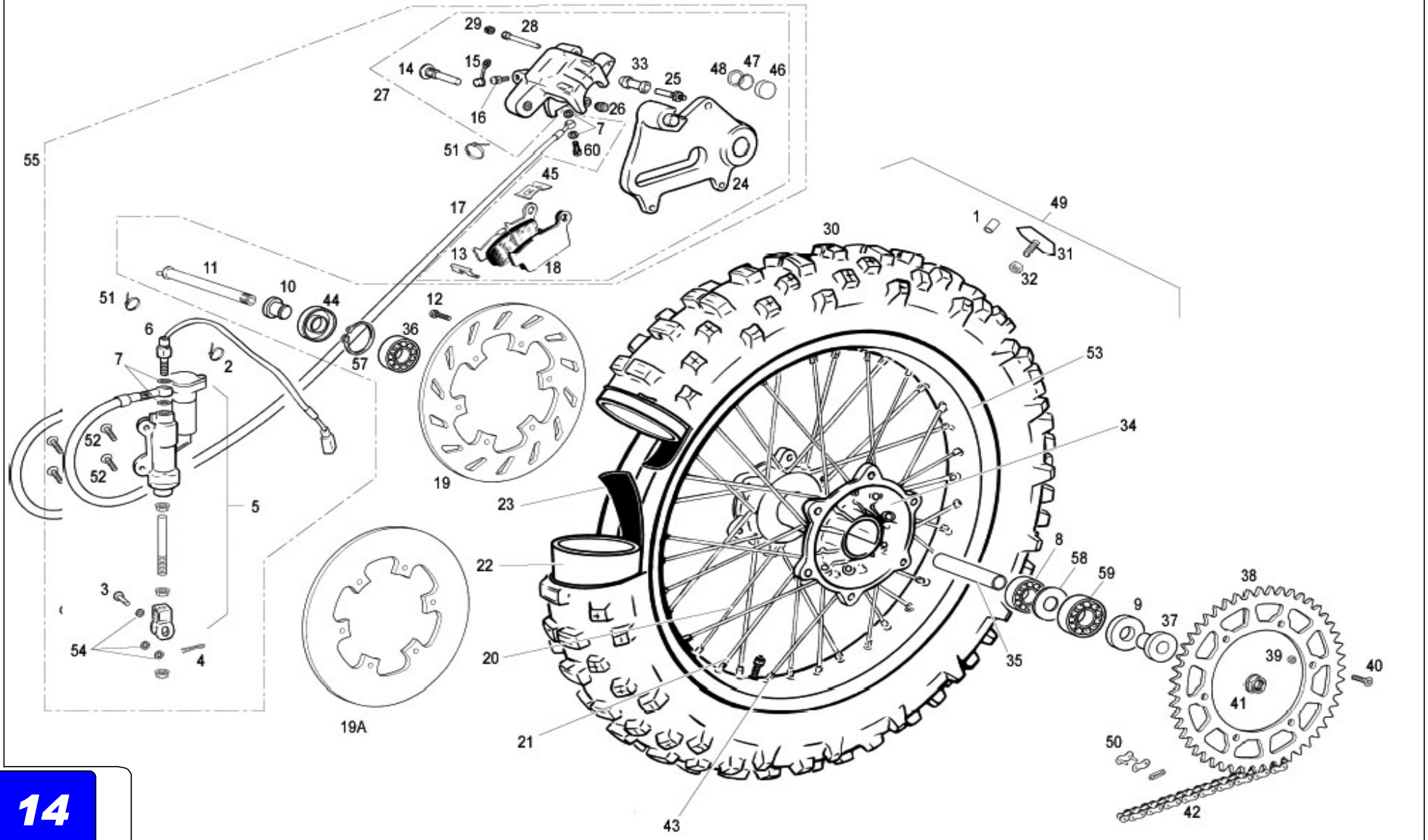
**GAS GAS**

**Chasis 13**

**Rueda trasera / Rear  
wheel**

**GAS GAS**

**ECIMCISM 2007**



| Nº  | DESCRIPCION / DESCRIPTION   | 125/200/250/300 | Cant. |
|-----|---|-----------------|-------|
| 1   | CASQUILLO AGARRE CUBIERTA DELANTERA / FRONT TIRE HOLDING BUSHING      | BE250518048     | 1     |
| 2   | BRIDA UNEX 2244 16/102 4.8X36 / CLAMP 2244 16/102 4.8X36              | BE25634007      | 1     |
| 3   | PASADOR 8X20 PEDAL FRENO / BRAKE PEDAL PIN 8X20                       | BE25622026      | 1     |
| 4   | CLAVILLA PASADOR FRENO 2X20 / BRAKE PEDAL PIN STOPPER                 | BE25622027      | 1     |
| 5   | BOMBA FRENO TRASERO NISSIN / NISSIN REAR BRAKE PUMP                   | BE250522010     | 1     |
| 6   | INTERRUPTOR STOP BOMBA NISSIN / NISSIN BRAKE PUMP STOP SWITCH         | BE250334003     | 1     |
| 7   | ARANDELA LATIGUILLO 10X14X1 / HOSE WASHER 10X14X1                     | BE25622007      | 4     |
| 8   | COJINETE 6204 2RSR / BEARING 6204 2RSR                                | C180700         | 1     |
| 9   | RETÉN RUEDA TRASERA / REAR WHEEL SEAL                                 | BE250318055     | 1     |
| 10  | DISTANCIADOR RUEDA TRASERA CORTO / SHORT REAR WHEEL SPACER            | BE250018025     | 1     |
| 11  | EJE RUEDA TRASERA / REAR WHEEL AXIS                                   | BE25618020      | 1     |
| 12  | TORNILLO HEXAGONAL 6X16 DISCO TRAS. / R. DISC BRAKE HEX. SCREW 6X16   | T0106016        | 6     |
| 13  | PLATINA (A) SUJ. PASTILLAS TRAS. / REAR BRAKE PADS HOLDER BRACKET (A) | BE250022090     | 1     |
| 14  | TORNILLO SUJECIÓN PINZA / CALIPER HOLDER SCREW                        | BE250022096     | 1     |
| 15  | TAPÓN SANGRADOR / BLEEDER CAP   | BE250022055     | 1     |
| 16  | SANGRADOR / BLEEDER   | BE250022060     | 1     |
| 17  | LATIGUILLO FRENO TRASERO NISSIN / NISSIN REAR BRAKE HOSE              | BE250522004     | 1     |
| 18  | PASTILLAS DE FRENO TRASERO / REAR BRAKE PADS                          | BE250022068     | 1     |
| 18A | PASTILLAS DE FRENO TRASERO NISSIN / NISSIN REAR BRAKE PADS            | BE250422068     | 1     |
| 18B | PASTILLAS DE FRENO TRASERO NISSIN / NISSIN REAR BRAKE PADS            | BE250122068     | 1     |
| 19  | DISCO FRENO TRASERO / REAR BRAKE DISC                                 | BE250422012     | 1     |
| 19A | DISCO FRENO TRASERO MACIZO / REAR BRAKE DISC                          | BE250222012/2   | 1     |
| 20  | RADIO 192X4,5 LADO FRENO 18" / 18" BRAKE-SIDE SPOKE 192X4.5           | BE250018014     | 18    |
| 21  | RADIO 188X4,5 LADO CORONA 18" / 18" SPROCKET-SIDE SPOKE 188X4.5       | BE250018015     | 18    |
| 22  | CAMARA TRASERA 18 CR / REAR AIR HOSE 18 CR                            | BE25618004      | 1     |
| 23  | PROTECTOR BANDA TRASERA 18 / REAR RIM BAND                            | BE25618003      | 1     |
| 24  | SOPORTE PINZA TRASERA / REAR CALIPER SUPPORT                          | BE250022120     | 1     |
| 25  | TORNILLO CLAVIJA PINZA FRENO / BRAKE CALIPER BOLT                     | BE250022034     | 1     |
| 26  | GUARDAPOLVO / DUST COVER  | BE250022093     | 1     |
| 27  | PINZA FRENO TRASERO / REAR BRAKE CALIPER                              | BE250322001     | 1     |
| 28  | PASADOR PASTILLAS / BRAKE PADS PIN                                    | BE250022094     | 1     |
| 29  | PROTECCIÓN PASADOR / PIN PROTECTION                                   | BE250022095     | 1     |
| 30  | NEUMÁTICO TRASERO 140/80-18 / REAR TYRE 140/80-18                     | BE25618005      | 1     |

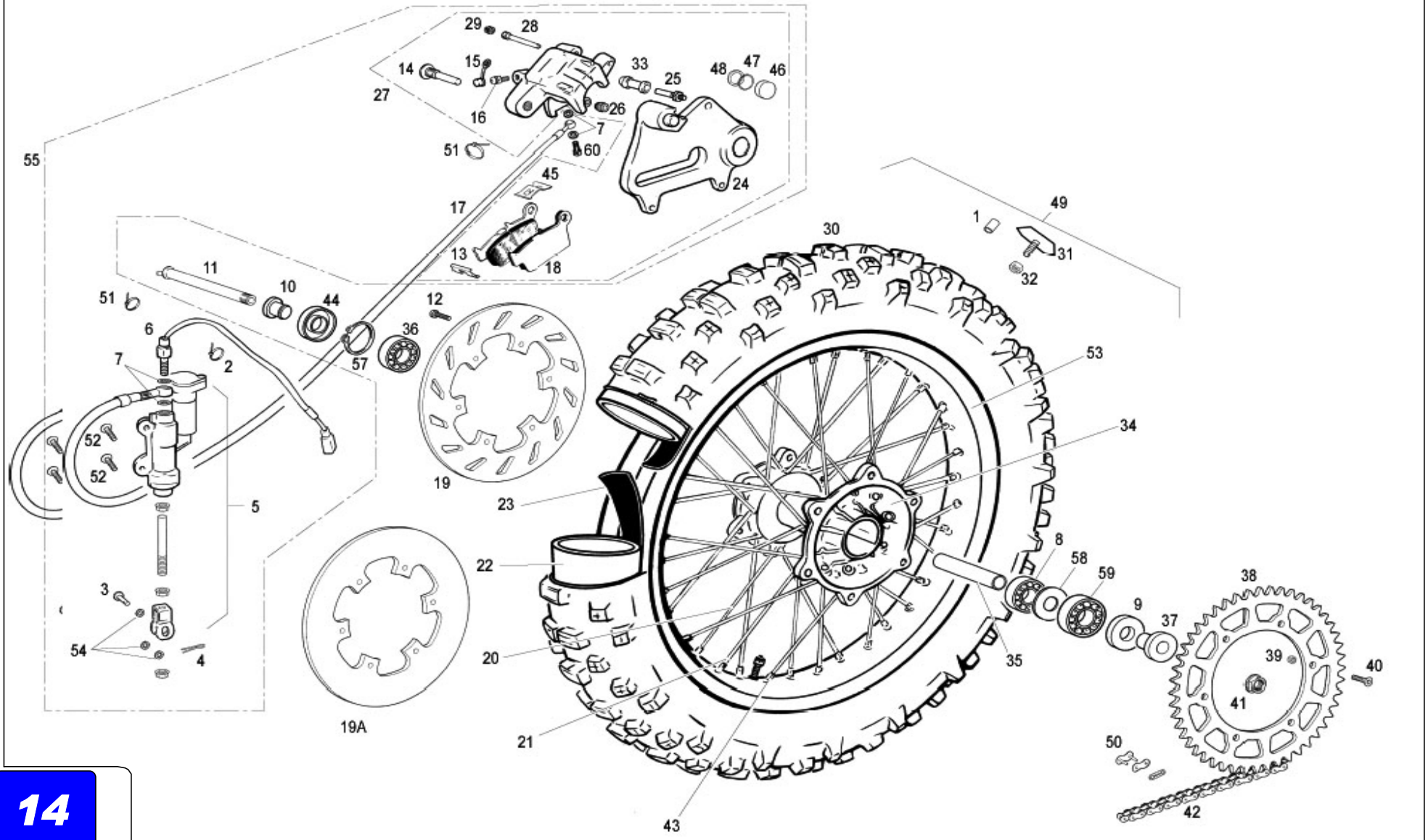
**GAS GAS**

**Chasis 14**

**Rueda trasera / Rear  
wheel**

**GAS GAS**

**ECIMC 2007**



| Nº  | DESCRIPCION / DESCRIPTION  | 125/200/250/300 | Cant.         |       |
|-----|--|-----------------|---------------|-------|
| 31  | AGARRE CUBIERTA TRASERA / REAR TYRE HOLDER                           | BE250218008     | 1             |       |
| 32  | TUERCA AUTOBLOCANTE M8 BAJA / SELF-LOCKING NUT M8                    | T2108001        | 1             |       |
| 33  | PROTECTOR TORNILLO / SCREW PROTECTOR                                 | BE250022039     | 1             |       |
| Nº  | DESCRIPCION / DESCRIPTION  | 125             | 200/250       | Cant. |
| 34  | CUBO RUEDA TRASERA / REAR WHEEL HUB                                  |                 | BE250318027   | 1     |
| 35  | DISTANCIADOR RUEDA TRASERA INTE. / REAR WHEEL SPACER                 |                 | R575700       | 1     |
| 36  | COJINETE 6004 2RSR / BEARING 6004 2RSR                               |                 | C160001       | 1     |
| 37  | DISTANCIADOR RUEDA DELANTERA LARGO / LONG WHEEL SPACER               |                 | BE250318021   | 1     |
| 38  | CORONA Z48 SERIE / Z48 SERIAL SPROCKET                               |                 | BE250418034   | 1     |
| 38A | CORONA Z42 / Z42 SPROCKET  |                 | BE250118034SM | 1     |
| 38B | CORONA Z44 / Z44 SPROCKET  |                 | BF250018024   | 1     |
| 38C | CORONA Z46 / Z46 SPROCKET  |                 | BE25918124    | 1     |
| 38D | CORONA Z47 / Z47 SPROCKET  |                 | BE25618024    | 1     |
| 38F | CORONA Z49 / Z49 SPROCKET  |                 | BC25818024    | 1     |
| 38G | CORONA Z50 / Z50 SPROCKET  |                 | R840701       | 1     |
| 38H | CORONA Z52 / Z52 SPROCKET  |                 | BE12618024    | 1     |
| 38I | CORONA Z53 / Z53 SPROCKET  |                 | BE25918125    | 1     |
| 38J | CORONA Z54 / Z54 SPROCKET  |                 | BE25918126    | 1     |
| 38K | CORONA Z51 SERIE / Z51 SERE SPROCKET                                 |                 | BE12618034    | 1     |
| 38L | CORONA Z39 / Z39 SPROCKET  |                 | BE250118124SM | 1     |
| 38M | CORONA Z40 / Z40 SPROCKET  |                 | BE250118125SM | 1     |
| 39  | TUERCA AUTOBLOCANTE M8 ALTA / HIGH SELF-LOCKING SPROCKET NUT M8      | T2208002        |               | 6     |
| 40  | ALLEN CÓNICO 8X30 / CONIC ALLEN BOLT 8X30                            | T0408030        |               | 6     |
| 41  | TUERCA AUTOBLOCANTE RUEDA TRASERA / REAR WHEEL SELF-LOCKING NUT      | BE25618023      |               | 1     |
| 42  | CADENA REGINA / REGINA CHAIN   |                 | BE250310036   | 1     |
| 42A | CADENA REGINA 125 / 125 REGINA CHAIN                                 | BC120110036     | -             | 1     |
| 43  | TUERCA RADIO TRASERO / REAR SPOKE NUT                                |                 | BE250018016   | 36    |
| 44  | RETÉN / SEAL   |                 | C160710       | 1     |
| 45  | PLATINA (B) SUJ. PAST. TRASERAS / REAR BRAKE PADS HOLDER BRACKET (B) |                 | BE250022091   | 2     |
| 46  | PISTÓN PINZA FRENO TRASERO / REAR BRAKE CALIPER PISTON               |                 | BE250022044   | 2     |
| 47  | RETÉN PISTÓN PINZA FRENO TRASERO / REAR BRAKE CALIPER PISTON O'RING  |                 | BE250022047   | 2     |
| 48  | TÓRICA PISTÓN PINZA FRENO TRASERO / REAR BRAKE CALIPER PISTON SEAL   |                 | BE250022048   | 2     |
| 49  | RUEDA TRASERA / REAR WHEEL SET                                       |                 | BE250518100   | 1     |
| 50  | ENGANCHE CADENA / CHAIN SPLIT LINK                                   |                 | BE250310066   | 1     |

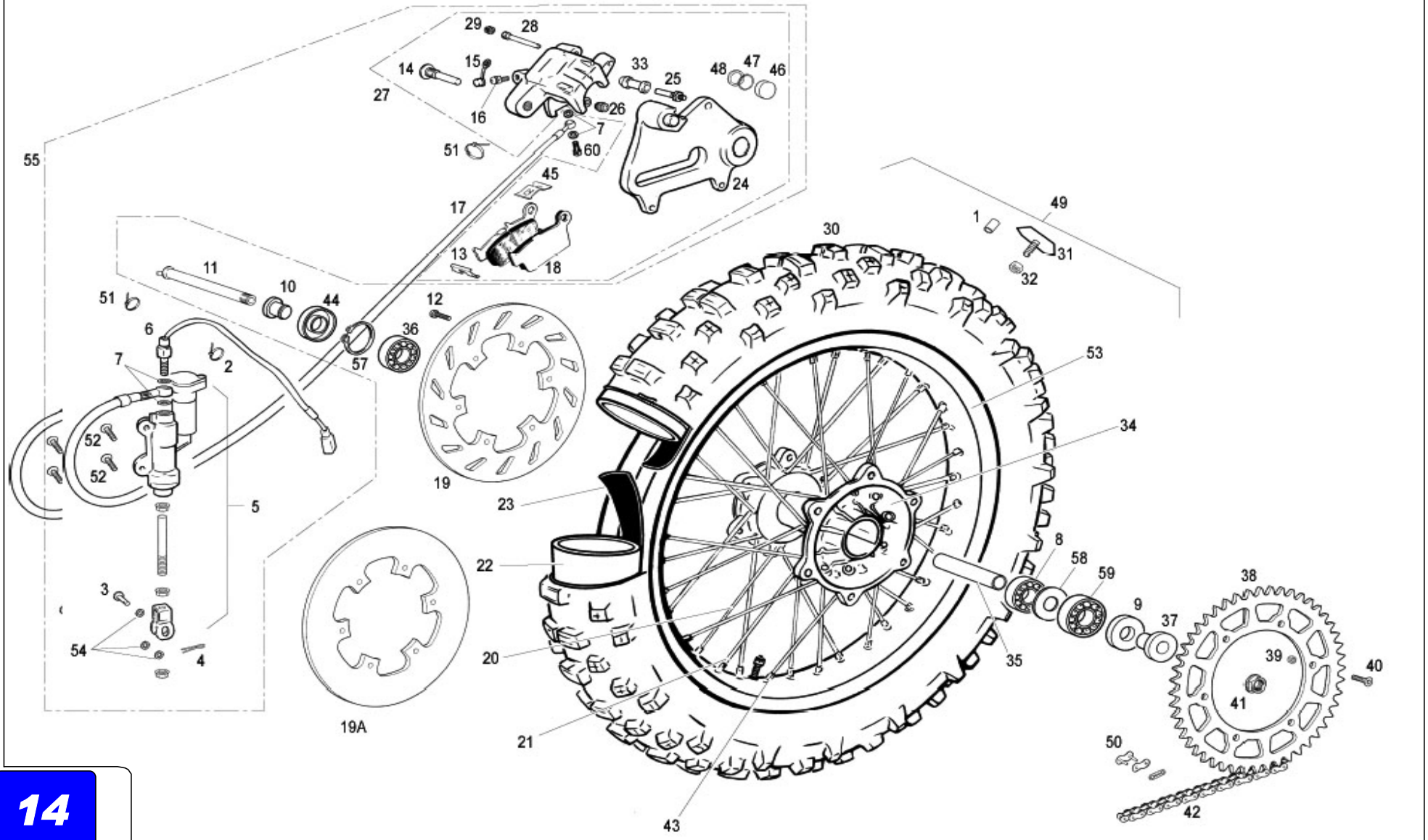
**GAS GAS**

**Chasis 14**

**Rueda trasera / Rear  
wheel**

**GAS GAS**

**ECIMC 2007**

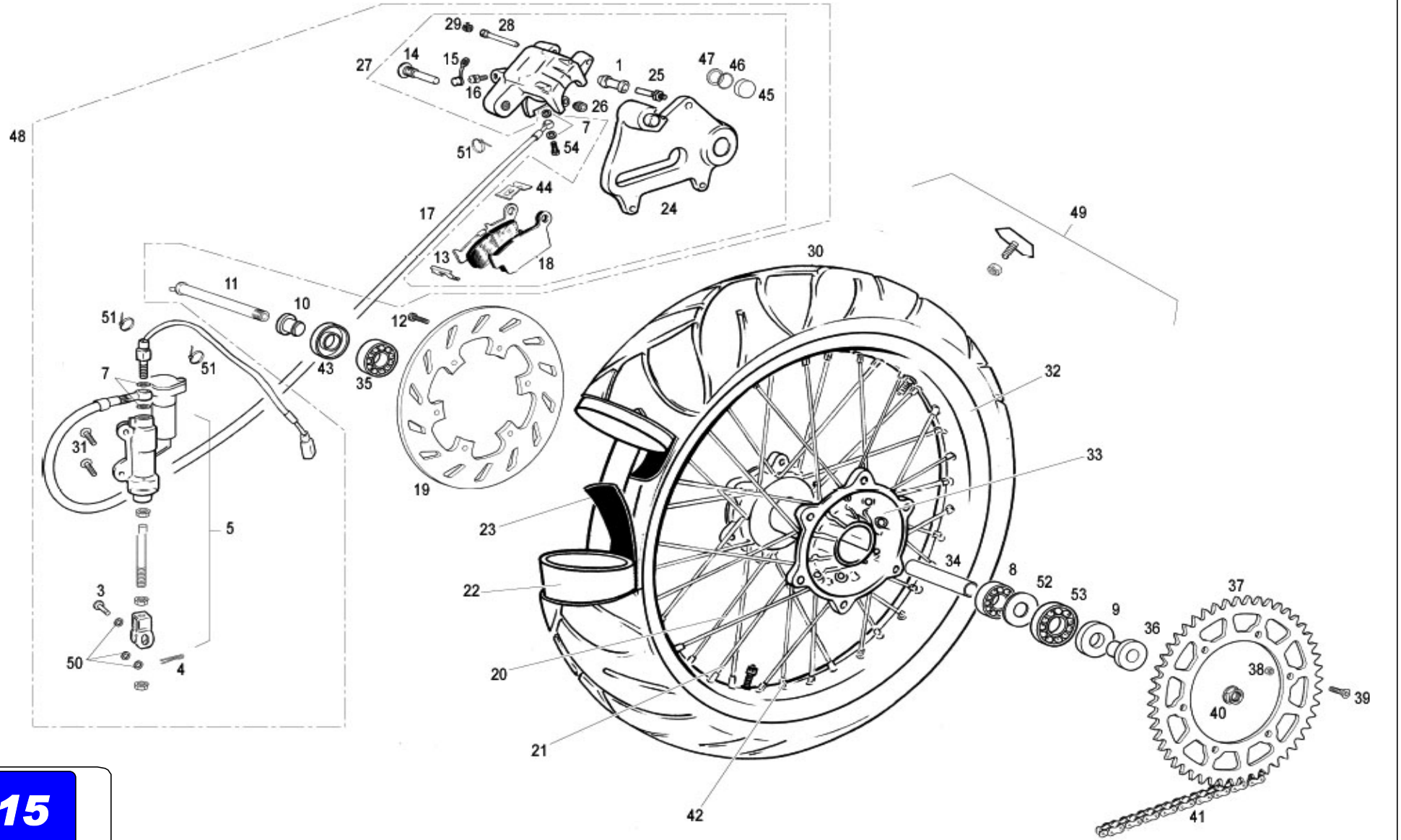


| Nº  | DESCRIPCION / DESCRIPTION   | 200/250         | Cant. |
|---|---|-----------------|-------|
| 51  | BRIDA UNEX CORTA / SHORT CLAMP  | BE25634010      | 3     |
| 52  | ULS 6X20 CON ARANDELA PLATA / 6X20 ULS WITH WASHER                    | T0556020        | 2     |
| 53  | LLANTA 2.15X18 / RIM 2.15X18  | BE250518011     | 1     |
| 54  | ARANDELA 8X16X1 / 8X16X1 WASHER                                       | T4008018        | 3     |
| Nº  | DESCRIPCION / DESCRIPTION   | 125/200/250/300 | Cant. |
| 55  | CTO. FRENO TRASERO / REAR BRAKE SET                                   | BE250522118     | 1     |
| 56  | CASQUILLO SEPARADOR BOMBA FRENO TRASERO / SPACER BRAKE BUSHING        | BT120222097     | 1     |
| 57  | SEEGER DIÁMETRO 42 / 42 DIAMETER SEEGER                               | BE25618038      | 1     |
| 58  | ARANDELA INTERIOR CUBO / INTERIOR HUB WASHER                          | BE250318056     | 1     |
| 59  | COJINETE RUEDA 6005-25R1 C3 / WHEEL BEARING                           | BE250318054     | 1     |
| 60  | RACORD SUJ. LATIGUILLO 10X1,25 / HOSE HOLDER RACORD 10X1.25           | BC25722006      | 1     |
| <b>Solo Motocross MC / Only Motocross MC bike</b> |   |                 |       |
| Nº  | DESCRIPCION / DESCRIPTION   | 125 / 250       | Cant. |
| 60  | RACORD SUJ. LATIGUILLO 10X1,25 / HOSE HOLDER RACORD 10X1.25           | BC25722006      | 1     |
| 18  | PASTILLA FRENO TRASERO / REAR BRAKE PADS                              | BC250022068     | 1     |
| 20  | RADIO RUEDA TRASERA 205,5x4,5 LADO FRENO / BRAKE-SIDE SPOKE 205,5x4,5 | BC250418015     | 18    |
| 21  | RADIO 200,5x4,5 LADO CORONA 19" / 19" SPROCKET-SIDE SPOKE 200,5x4,5   | BC250418014     | 18    |
| 22  | CAMARA TRASERA MC 19 / MC 19 REAR AIR HOSE                            | BC25718004      | 1     |
| 30  | NEUMÁTICO CROSS 120/80-19 M12 / REAR TYRE 120/80-19 M12               | BC25718005      | 1     |
| 53  | LLANTA 19" CROSS 250 / RIM 19"  | BC25718011      | 1     |
| 42A   | CADENA 112 CROSS / 112 CROSS CHAIN                                    | BC120110036     | 1     |
| 49  | CTO. RUEDA TRASERA CROSS / CROSS REAR WHEEL SET                       | BC250418100     | 1     |
| 55  | CTO. FRENO TRASERO PURGADO / REAR BRAKE SET                           | BC250522118     | 1     |
| 43  | TUERCA RADIO TRASERO / REAR SPOKE NUT                                 | BC250418016     | 36    |
|   |   |                 |       |
|   |   |                 |       |
|   |   |                 |       |
|   |   |                 |       |
|   |   |                 |       |
|   |   |                 |       |
|   |   |                 |       |
|   |   |                 |       |
|   |   |                 |       |

**Rueda trasera / Rear  
wheel**

**GAS GAS**

**SM 2007**





| Nº | DESCRIPCION / DESCRIPTION  | SM            | Cant. |
|----|--|---------------|-------|
| 1  | PROTECTOR TORNILLO / WASHER SCREW  | BE250022039   | 1     |
| 2  | BRIDA UNEX 2244 16/102 4.8X36 / UNEX CLAMP 2244 16/102 4.8X36            | BE25634007    | 1     |
| 3  | PASADOR 8X20 PEDAL FRENO / BRAKE PEDAL PIN 8X20                          | BE25622026    | 1     |
| 4  | CLAVILLA PASADOR FRENO 2X20 / 2X20 BRAKE PEDAL PIN STOPPER               | BE25622027    | 1     |
| 5  | BOMBA FRENO TRASERO NISSIN R2MRC019 / NISSIN REAR BRAKE PUMP             | BE250522010   | 1     |
| 6  | INTERRUPTOR 23.024/1 STOP BOMBA NISSIN / NISSIN BRAKE PUMP STOP SWITCH   | BE250334003   | 1     |
| 7  | ARANDELA LATIGUILLO 10X14X1 / 10X14X1 HOSE WASHER                        | BE25622007    | 4     |
| 8  | COJINETE 6204 2RSR / BEARING 6204 2RSR                                   | C180700       | 1     |
| 9  | RETÉN RUEDA TRASERA / REAR WHEEL SEAL                                    | BE250318055   | 1     |
| 10 | DISTANCIADOR RUEDA TRASERA CORTO / SHORT REAR WHEEL SPACER               | BE250018025   | 1     |
| 11 | EJE RUEDA TRASERA / REAR WHEEL AXIS                                      | BE25618020    | 1     |
| 12 | HEXAGONAL 6X16 DISCO TRASERO / 6X16 REAR DISC BRAKE HEX. SCREW           | T0106016      | 6     |
| 13 | PLATINA (A) SUJ. PASTILLAS TRASERAS / REAR BRAKE PADS HOLDER (A) BRACKET | BE250022090   | 1     |
| 14 | TORNILLO SUJECIÓN PINZA / CALIPER HOLDER SCREW                           | BE250022096   | 1     |
| 15 | TAPÓN SANGRADOR / BLEEDER CAP  | BE250022055   | 1     |
| 16 | SANGRADOR / BLEEDER  | BE250022060   | 1     |
| 17 | LATIGUILLO FRENO TRASERO NISSIN / NISSIN REAR BRAKE HOSE                 | BE250522004   | 1     |
| 18 | PASTILLAS DE FRENO TRASERO / REAR BRAKE PADS                             | BE250022068   | 1     |
| 19 | DISCO FRENO TRASERO / REAR BRAKE DISC                                    | BE250422012   | 1     |
| 20 | RADIO 170X4 LADO FRENO / BRAKE-SIDE SPOKE 170X4                          | BE250118015SM | 18    |
| 21 | RADIO 168X4 LADO CORONA / SPROCKET-SIDE SPOKE 168X4                      | BE250118014SM | 18    |
| 22 | CAMARA TRASERA 17 CG / REAR AIR HOSE 17 CG                               | BE250118004SM | 1     |
| 23 | PROTECTOR BANDA TRASERA 18 / 18 REAR RIM BAND                            | BE250118028SM | 1     |
| 24 | SOPORTE PINZA TRASERA / REAR CALIPER SUPPORT                             | BE250022120   | 1     |
| 25 | TORNILLO CLAVIJA PINZA FRENO / BRAKE CALIPER BOLT                        | BE250022034   | 1     |
| 26 | GUARDAPOLVO / DUST COVER   | BE250022093   | 1     |
| 27 | PINZA FRENO TRASERO CON SOPORTE EC2003 / REAR BRAKE CALIPER              | BE250322001   | 1     |
| 28 | PASADOR PASTILLAS / BRAKE PADS PIN                                       | BE250022094   | 1     |
| 29 | PROTECCIÓN PASADOR / PIN PROTECTION                                      | BE250022095   | 1     |
| 30 | NEUMÁTICO TRASERO 150/60 ZR17 / 150/60 ZR17 REAR TYRE                    | BE250118005SM | 1     |
| 31 | ULS 6X20 CON ARANDELA PLATA / 6X20 ULS WITH WASHER                       | T0556020      | 2     |
| 32 | LLANTA 2.15X18 / 2.15X18 RIM   | BE250118011SM | 1     |
| 33 | CUBO RUEDA TRASERA / REAR WHEEL HUB                                      | BE250318027   | 1     |

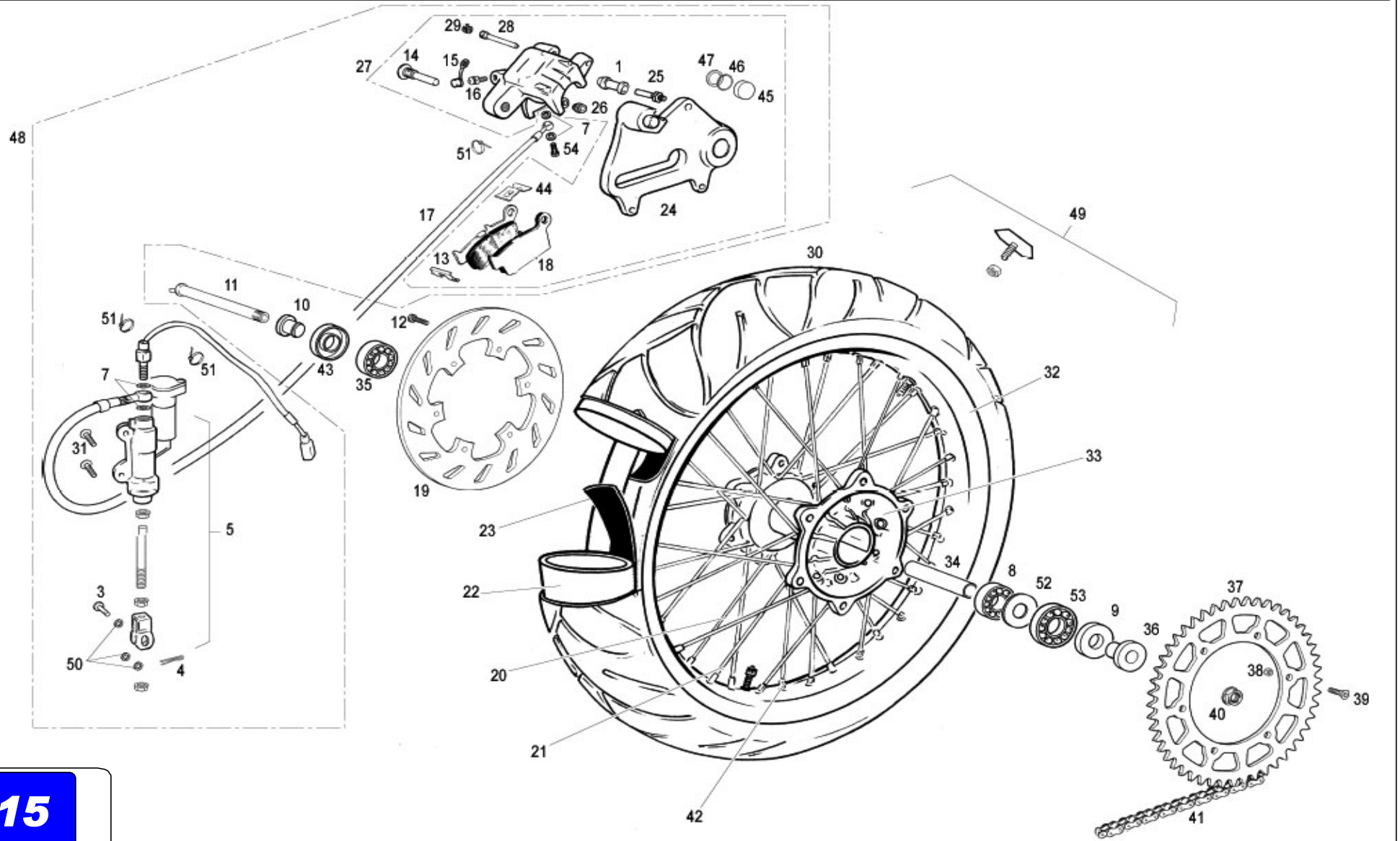
**GAS GAS**

**Chasis 15**

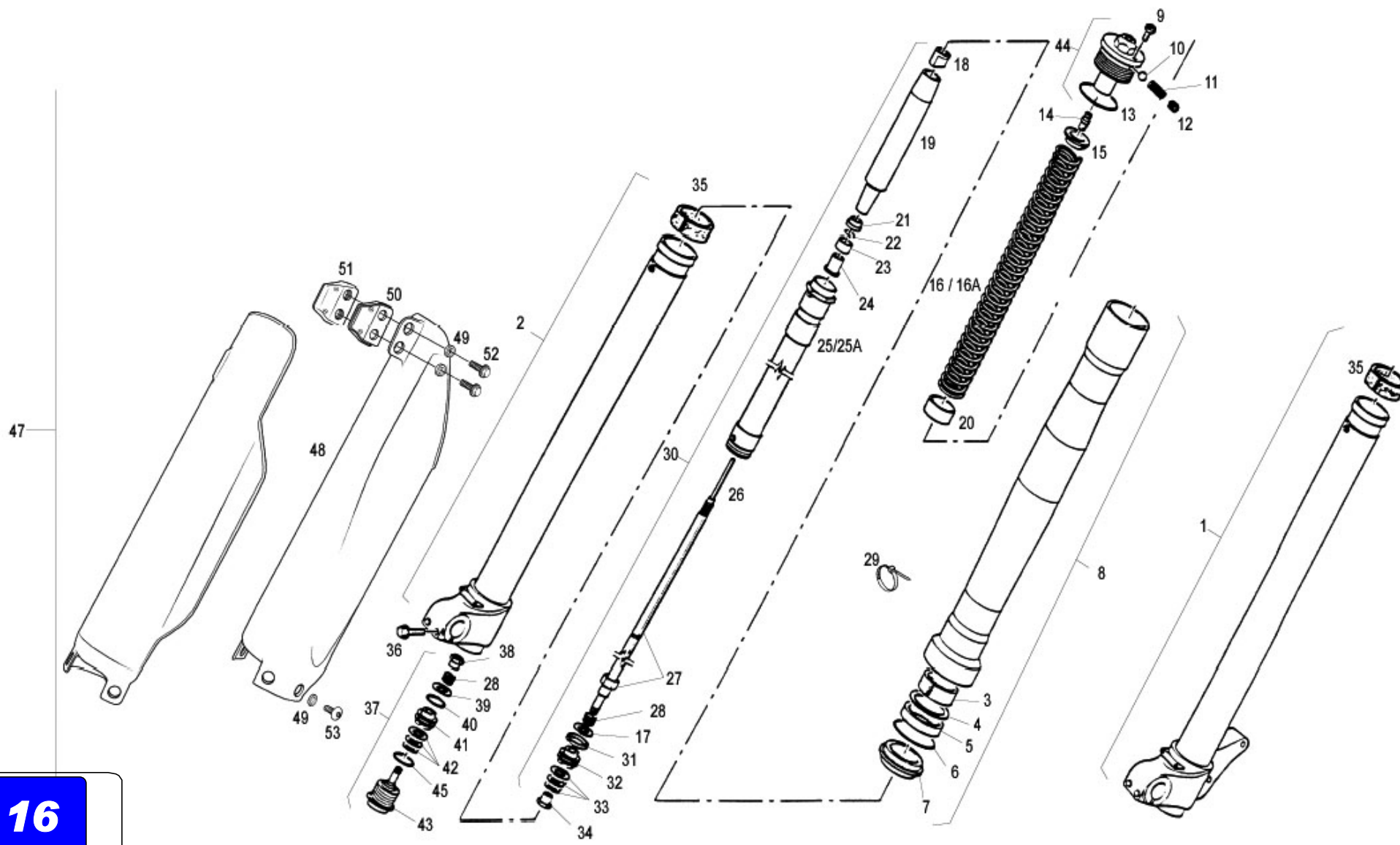
**Rueda trasera / Rear  
wheel**

**GAS GAS**

**SM 2007**



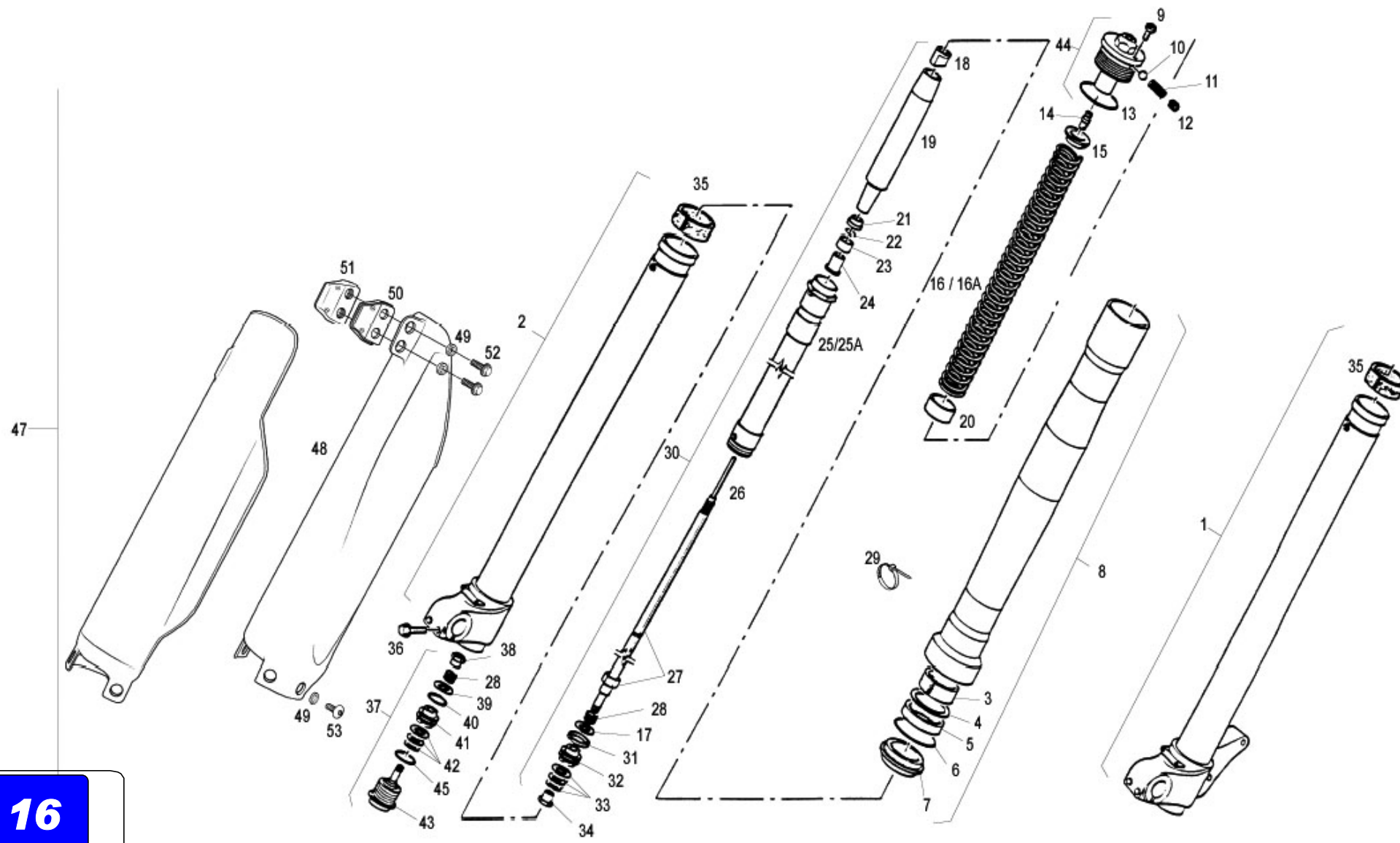
| Nº | DESCRIPCION / DESCRIPTION   | SM            | Cant. |
|----|---|---------------|-------|
| 34 | DISTANCIADOR RUEDA TRASERA INT. ALUMINIO / ALUMINIUM REAR WHEEL SPACER        | R575700       | 1     |
| 35 | COJINETE 6004 2RSR / 6004 2RSR BEARING  | C160001       | 2     |
| 36 | DISTANCIADOR RUEDA TRASERA LARGO / LONG WHEEL SPACER                          | BE250318021   | 2     |
| 37 | CORONA Z-42 / Z-42 SPROCKET   | BE250118034SM | 1     |
| 38 | TUERCA AUTOBLOCANTE M8 ALTA CORONA / M8 HIGH SELF-LOCKING SPROCKET NUT        | T2108002      | 6     |
| 39 | ALLEN CÓNICO 8X30 / 8X30 CONIC ALLEN BOLT                                     | T0408030      | 6     |
| 40 | TUERCA AUTOBLOCANTE RUEDA TRASERA / REAR WHEEL SELF-LOCKING NUT               | BE25618023    | 1     |
| 41 | CADENA 108 / 108 CHAIN  | BE250110036SM | 1     |
| 42 | TUERCA RADIO TRASERA / REAR SPOKE NUT   | BE250118016SM | 36    |
| 43 | RETÉN / SEAL  | C160710       | 1     |
| 44 | PLATINA (B) SUJECCIÓN PASTILLAS TRASERAS / REAR BRAKE PADS HOLDER BRACKET (B) | BE250022091   | 1     |
| 45 | PISTÓN PINZA FRENO TRASERA / REAR BRAKE CALIPER PISTON                        | BE250022044   | 2     |
| 46 | RETÉN PISTÓN PINZA FRENO TRASERA / REAR BRAKE CALIPER PISTON O'RING           | BE250022047   | 2     |
| 47 | TÓRICA PISTÓN PINZA FRENO TRASERA / REAR BRAKE CALIPER PISTON SEAL            | BE250022048   | 2     |
| 48 | CTO. FRENO TRASERO PURGADO / REAR BRAKE SET                                   | BE250522118   | 1     |
| 49 | RUEDA TRASERA SM / SM REAR WHEEL SET  | BE250518100SM | 1     |
| 50 | ARANDELA 8X16X1 / 8X16X1 WASHER   | T4008018      | 3     |
| 51 | BRIDA UNEX CORTA 2,5X98 / 2,5X98 SHORT CLAMP                                  | BE25634010    | 2     |
| 52 | ARANDELA INTERIOR CUBO / INTERIOR HUB WASHER                                  | BE250318056   | 1     |
| 53 | COJINETE RUEDA 6005-25R1 C3 / WHEEL BEARING                                   | BE250318054   | 1     |
| 54 | RACORD SUJ. LATIGUILLO 10X1,25 / HOSE HOLDER RACORD 10X1.25                   | BC25722006    | 1     |
|    |   |               |       |
|    |   |               |       |
|    |   |               |       |
|    |   |               |       |
|    |   |               |       |
|    |   |               |       |
|    |   |               |       |
|    |   |               |       |
|    |   |               |       |
|    |   |               |       |
|    |   |               |       |
|    |   |               |       |
|    |   |               |       |
|    |   |               |       |
|    |   |               |       |
|    |   |               |       |
|    |   |               |       |
|    |   |               |       |



| Nº  | DESCRIPCION / DESCRIPTION                                   | 125/200     | 250/300     | SM            | Cant. |
|-----|---|-------------|-------------|---------------|-------|
| 1   | BASE HORQUILLA IZQUIERDA / LEFT FORK BASE                   |             | BE250414143 | BE250114143SM | 1     |
| 2   | BASE HORQUILLA DERECHA / RIGHT FORK BASE                    |             | BE250414142 | BE250114142SM | 1     |
| 3   | GLACIER BOTELLA 538103 50x45x15 / OUTER TUBE BUSHING        |             | BE250314131 |               | 2     |
| 4   | ANILLO DE CIERRE / RETAINING CUP                            |             | BE250114133 |               | 2     |
| 5   | RETÉN SUSPENSIÓN 45X58X11 / OIL SEAL                        |             | C240701     |               | 2     |
| 6   | ANILLO DE CIERRE / STOP RING                                |             | BE25714132  |               | 2     |
| 7   | GUARDAPOLVO / DUST SEAL                                     |             | BE25714131  |               | 2     |
| 8   | CTO. BARRA SUSPENSIÓN / OUTER TUBE UNIT                     |             | BE250514110 | BE250314110   | 2     |
| 9   | TORNILLO Y JUNTA TÓRICA / SCREW+ O'RING                     |             | BE25714103  |               | 2     |
| 10  | TÓRICA TAPÓN REGULACIÓN / SET SCREW                         |             | BE250114225 |               | 2     |
| 11  | MUELLE TAPÓN REGULACIÓN / REBOUND SPRING                    |             | BE250114226 |               | 2     |
| 12  | TORNILLO PEQUEÑO TAPÓN REGULACIÓN / SCREW                   |             | BE250114227 |               | 2     |
| 13  | TÓRICA TAPÓN REGULACIÓN / REGULATION CAP O'RING             |             | BE250114104 |               | 2     |
| 14  | CASQUILLO REGULACIÓN / PIN + O'RING                         |             | BE250114112 |               | 2     |
| 15  | CASQUILLO GUIA MUELLE / SPRING GUIDE BUSHING CUP            |             | BE250114107 |               | 2     |
| 16  | MUELLE K=4.2 / SPRING K=4.2                                 |             | BE250114268 |               | 2     |
| 16A | KIT MUELLE Y CASQUILLO K:4.0 / SPRINGS K=4.0 + SLEEVES      | BE250114228 | -           |               | 2     |
| 17  | ARANDELA 22X8.1X0.3 / SHIM 22X8.1X0.3                       |             | BE250514235 | BE250114245   | 2     |
| 18  | TUERCA BLOQUEADOR M12X25 / LOCK NUT                         |             | BE250114242 |               | 2     |
| 19  | TUBO GUIA MUELLE / SPRING GUIDE                             |             | BE250514229 | BE250314229SM | 2     |
| 20  | TOPE PRECARGA / PRELOAD SLEEVE                              | BE120514109 | BE250514109 | BE250314109SM | 2     |
| 21  | TOPE DE FONDO / NUT   |             | BE250114230 |               | 2     |
| 22  | ANILLO RETENCIÓN / STOP RING                                |             | BE250114231 |               | 2     |
| 23  | TOPE FONDO HUG D45 / FOOT NUT                               |             | BE250514232 | BE250314232SM | 2     |
| 24  | TOPE FONDO USD D45 / FOOT NUT CUP                           |             | BE250114233 | -             | 2     |
| 25  | CARTUCHO AMORTIGUADOR / CARTRIDGE BODY                      |             | BE250514114 | BE250314114SM | 2     |
| 25A | CARTUCHO AMORTIGUADOR / CARTRIDGE BODY                      |             | -           | BE250314116SM | 2     |
| 26  | VARILLA INTERNA / INNER ROD                                 |             | BE250114234 | -             | 2     |
| 27  | CTO. VARILLA / DAMPING SHAFT UNIT                           |             | BE250514116 | BE250114116   | 2     |
| 28  | MUELLE / REBOUND SPRING                                     |             | BE250114118 |               | 4     |
| 29  | BRIDA UNEX 2244 16/02 4.8X30 / UNEX CLAMP 2244 16/02 4.8X30 |             | BE25634007  |               | 2     |
|     |   |             |             |               |       |
|     |   |             |             |               |       |

**GAS GAS**

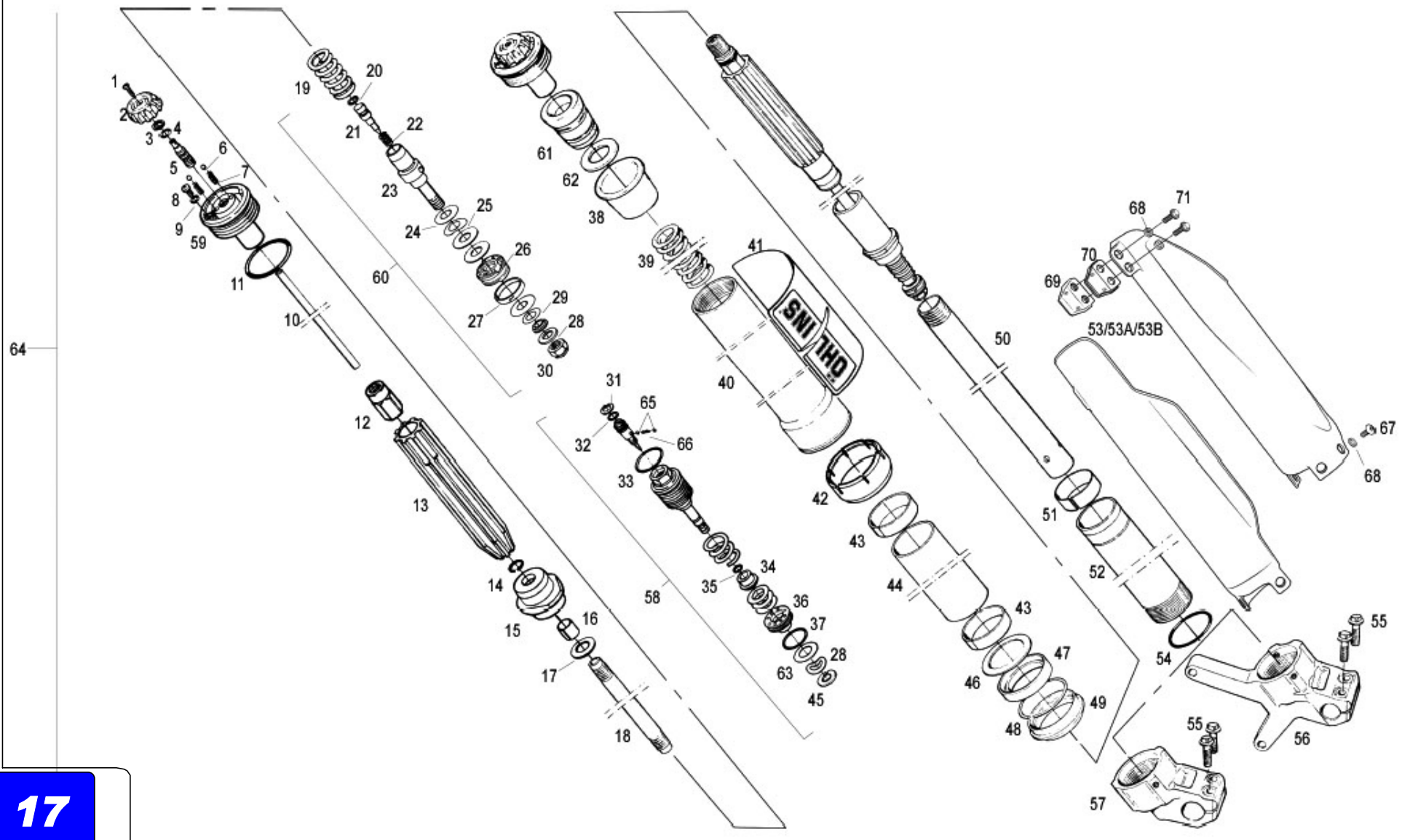
**Chasis 16**



| Nº  | DESCRIPCION / DESCRIPTION   | 125/200                     | 250/300/cross125 | SM              | Cant. |
|-----|---|-----------------------------|------------------|-----------------|-------|
| 31  | SEGMENTO PISTÓN / PISTON RING                                     |                             | BE250114120      | -               | 2     |
| 32  | PISTÓN SUSPENSIÓN / REBOUND PISTON                                |                             | BE250514119      | BE250314119SM   | 2     |
| 33  | ARANDELA SUSPENSIÓN 15X8.1X0.1 / SHIM 15X8.1X0.1                  |                             | BE250114238      |                 | 3     |
| 33A | ARANDELA SUSPENSIÓN 19X8.1X0.1 / SHIM 19X8.1X0.1                  |                             | BE250114239      |                 | 2     |
| 33B | ARANDELA SUSPENSIÓN 17X8.1X0.1 / COMPRESSION DAMPING WASHER       |                             | BE250114240      |                 | 2     |
| 33C | ARANDELA SUSPENSIÓN 21X8.1X0.1 / REED VALVE                       |                             | BE250114241      |                 | 4     |
| 34  | VÁLVULA BASE / NUT  |                             | BE250114126      |                 | 2     |
| 35  | CASQUILLO INTERIOR BOTELLA / LOWER BUSH                           |                             | BE250114128      |                 | 2     |
| 36  | TORNILLO 6X30 DIN 6921 8.8 / SCREW 6X30                           |                             | BE250114144      |                 | 4     |
| 37  | GRUPO AMORTIGUADOR / VALVE UNIT                                   |                             | BE250514124      | BE250314124SM   | 2     |
| 38  | TORNILLO BL. VÁLVULA / VALVE SCREW                                |                             | BE250514244      | BE250114244     | 2     |
| 39  | JUNTA 22X8.1X0.3 C72 BLU / SHIM 22X8.1X0.3                        |                             | BE250514235      | BE250114245     | 2     |
| 40  | TÓRICA 2087 D21.95 S1.78 / O-RING 2087                            |                             | BE250114246      | -               | 2     |
| 41  | PISTÓN D.26 SINTER. / COMPRESSION PISTON                          |                             | BE250514247      | BE250314247SM   | 2     |
| 42  | JUNTA 15X8.1X0.2 / COMPRESSION DAMPING WASHER                     | BE250114248-1 (19X8.1X0.1)  | BE250514248      | BE250114248-5X4 | 3     |
| 42A | JUNTA 19X8.1X0.1 / SHIM 19X8.1X0.1                                | BE250114248-3 (17X8.1X0.1)  | BE250114248-1    | BE250514248-5X4 | 2     |
| 42B | JUNTA 17X8.1X0.1 / COMPRESSION DAMPING WASHER                     | BE250514248-5 (11X8.1X0.1)  | BE250114248-3    | BE250314248     | 2     |
| 42C | JUNTA 16X8.1X0.2 / SHIM 16X8.1X0.2                                | BE250514248-6 (13X8.1X0.2)  | BE250514248-4    | BE120514248     | 2     |
| 42D | JUNTA 11X8.1X0.1 / SHIM 11X8.1X0.1                                | BE250514248-7 (14X8.1X0.2)  | BE250514248-5    | BE250314248-1   | 2     |
| 42E | JUNTA 13X8.1X0.2 / SHIM 13X8.1X0.2                                | BE120514248 (15X8.1X0.15)   | BE250514248-6    |                 | 2     |
| 42F | JUNTA 14X8.1X0.2 / SHIM 14X8.1X0.2                                | BE120514248-1 (16X8.1X0.15) | BE250514248-7    |                 | 2     |
| 43  | VÁLVULA DE AJUSTE / ADJUSTING VALVE                               |                             | BE250514249      | BE250114249     | 2     |
| 44  | CTO. TAPÓN REGULACIÓN / PLUG UNIT                                 |                             | BE250514105      | BE250114105     | 2     |
| 45  | TÓRICA 2100 D25.1 S1.78 / O-RING 2100                             |                             | BE250114250      |                 | 2     |
| 47  | CTO. SUSPENSIÓN DELANTERA MARZOCCHI / MARZOCCHI FRONT SUSP.       | BE120714000MZ               | BE250714000MZ    | BE250114000     | 1     |
| 48  | JUEGO PROTEC. HORQ. INV. AMARILLO / YELLOW REV. FORK PROT. SET    |                             | BC120514040      |                 | 1     |
| 48A | JUEGO PROTEC. HORQUILLA INVERTIDA ROJO / RED REV. FORK PROT. SET  |                             | BC250514040      |                 | 1     |
| 48B | JUEGO PROTEC. HORQUILLA INVERTIDA AZUL / BLUE REV. FORK PROT. SET |                             | BC300514040      |                 | 1     |
| 48C | JUEGO PROTEC. HORQUILLA INVERTIDA SM / SM REV. FORK PROT. SET     |                             | BE250114040SM    |                 | 1     |
| 49  | CASQUILLO PROTECTOR HORQUILLA / FORK PROTECTORS BUSHING           |                             | BC250014050      |                 | 8     |
| 50  | FIJACIÓN IZQUIERDA LATIGUILLO / LEFT HOSE HOLDER                  |                             | BC250014155      |                 | 1     |
| 51  | FIJACIÓN DERECHA LATIGUILLO / RIGHT HOSE HOLDER                   |                             | BC250014156      |                 | 1     |
| 52  | TORNILLO ESPECIAL 6X16 8.8 ZINCADO / 6X16 8.8 SPECIAL SCREW       |                             | T0206016         |                 | 2     |
| 53  | TORNILLO ESPECIAL 6X12 / 6X12 SPECIAL SCREW                       |                             | T0316012         |                 | 6     |

**GAS GAS**

**Chasis 16**

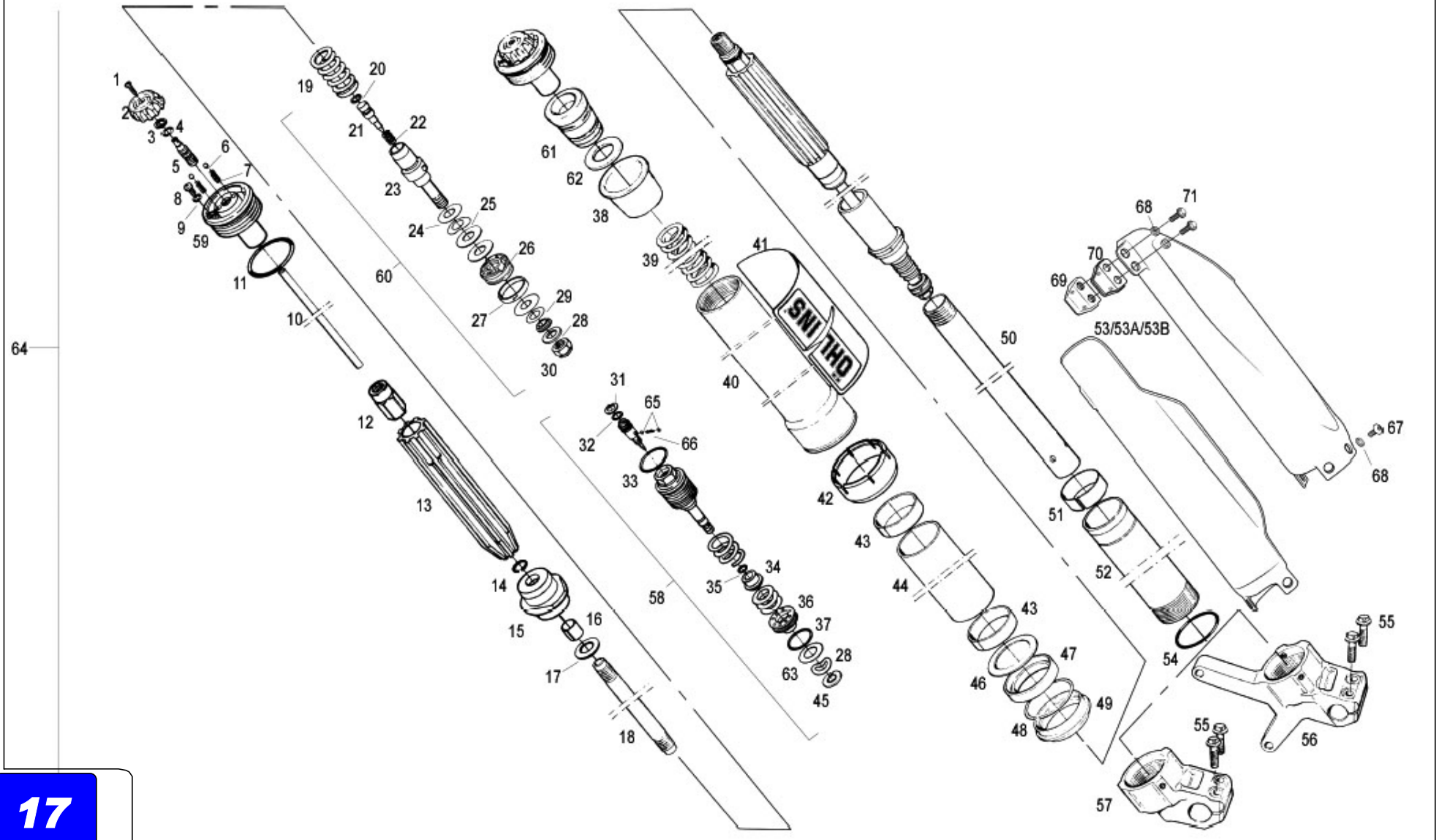




| Nº | DESCRIPCION / DESCRIPTION                      | 2007          | Cant. |
|----|--|---------------|-------|
| 1  | TORNILLO 00828-01 / SCREW                      | BE250314100OH | 2     |
| 2  | RODILLO REGULACIÓN 00820-01 / ADJUSTMENT KNOB  | BE250314101OH | 2     |
| 3  | CIRCLIP 01473-06 / CIRCLIP                     | BE250314224OH | 2     |
| 4  | TÓRICA 00338-79 / O'RING                       | BE250314103OH | 2     |
| 5  | TORNILLO DE AJUSTE 02405-01 / ADJUSTMENT SCREW | BE250314112OH | 2     |
| 6  | BOLA 00884-01 / BALL                           | BE250314250OH | 4     |
| 7  | MUELLE 00883-01 / SPRING                       | BE250314226OH | 4     |
| 8  | TORNILLO 01050-01 / SCREW                      | BE250114100OH | 2     |
| 9  | TÓRICA 00338-59 / O'RING                       | BE250114104OH | 2     |
| 10 | VARILLA DE AJUSTE 02366-13 / ADJUSTMENT ROD    | BE250314116OH | 2     |
| 11 | TÓRICA 00438-61 / O-RING                       | BE250414104OH | 2     |
| 12 | GUÍA VARILLA 02402-01 / NEEDLE HOUSING         | BE250314220OH | 2     |
| 13 | GUÍA FUNDA 02430-01 / GUIDING SLEEVE           | BE250414230OH | 2     |
| 14 | CIRCLIP 01499-02 / CIRCLIP                     | BE250114252OH | 2     |
| 15 | CENTRADOR 02399-48 / CYLINDER TUBE CAP         | BE250314219OH | 2     |
| 16 | GLACIER 00110-03 / BUSHING                     | BE250114253OH | 2     |
| 17 | ARANDELA 02340-01 / WASHER                     | BE250114216OH | 2     |
| 18 | EJE 02393-01 / SHAFT                           | BE250314178OH | 2     |
| 19 | MUELLE 02063-02 / SPRING                       | BE250114254OH | 2     |
| 20 | TÓRICA 00438-31 / O-RING                       | BE250114255OH | 1     |
| 21 | AGUJA DE EXTENSIÓN 02356-03 / REBOUND NEEDLE   | BE250114112OH | 1     |
| 22 | MUELLE 02322-01 / SPRING                       | BE250114256OH | 1     |
| 23 | SOPORTE PISTÓN 02320-03 / PISTON HOLDER        | BE250114195OH | 1     |
| 24 | ARANDELA REGLAJE 00530-18 / SHIM WASHER        | BE250114202OH | 1     |
| 25 | ARANDELA ONDULADA 01149-01 / WAVE WASHER       | BE250114203OH | 1     |
| 26 | PISTÓN REGLAJE 02335-01 / REBOUND PISTON       | BE250114200OH | 1     |
| 27 | ARO DEL PISTÓN 01447-02 / PISTON RING          | BE250114207OH | 1     |
| 28 | ARANDELA ONDULADA 04105-01 / WAVE WASHER       | BE250314203OH | 1     |
| 29 | ARANDELA 00153-01 / WASHER                     | BE250114213OH | 1     |
| 30 | TUERCA CIERRE 00430-05 / LOCK NUT              | BE250114202OH | 1     |
| 31 | CIRCLIP 01473-02 / CIRCLIP                     | BE250114214OH | 1     |
| 32 | TÓRICA 00338-53 / O-RING                       | BE250114257OH | 1     |
| 33 | TÓRICA 00438-02 / O-RING                       | BE250114259OH | 1     |

**GAS GAS**

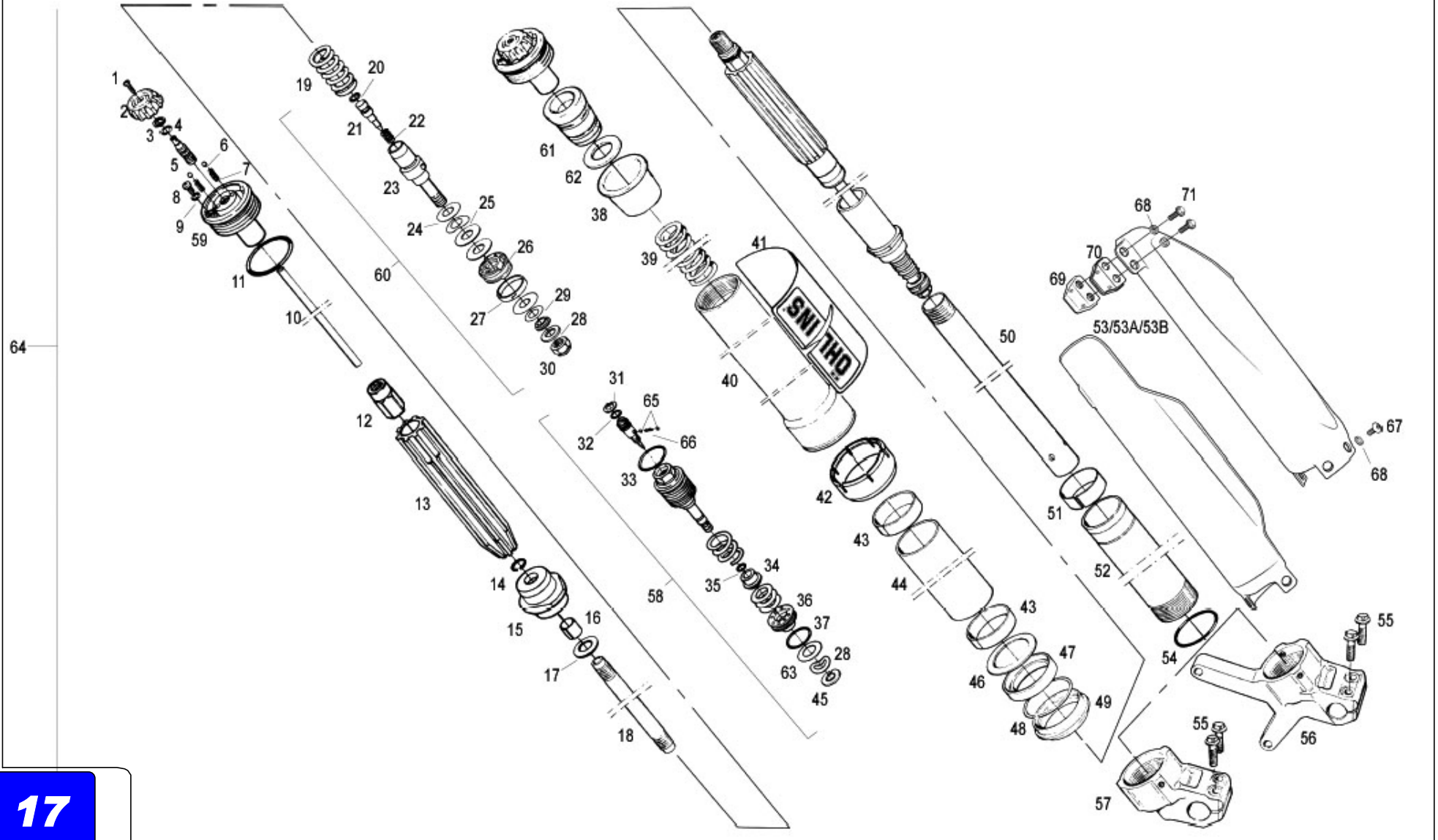
**Chasis 17**



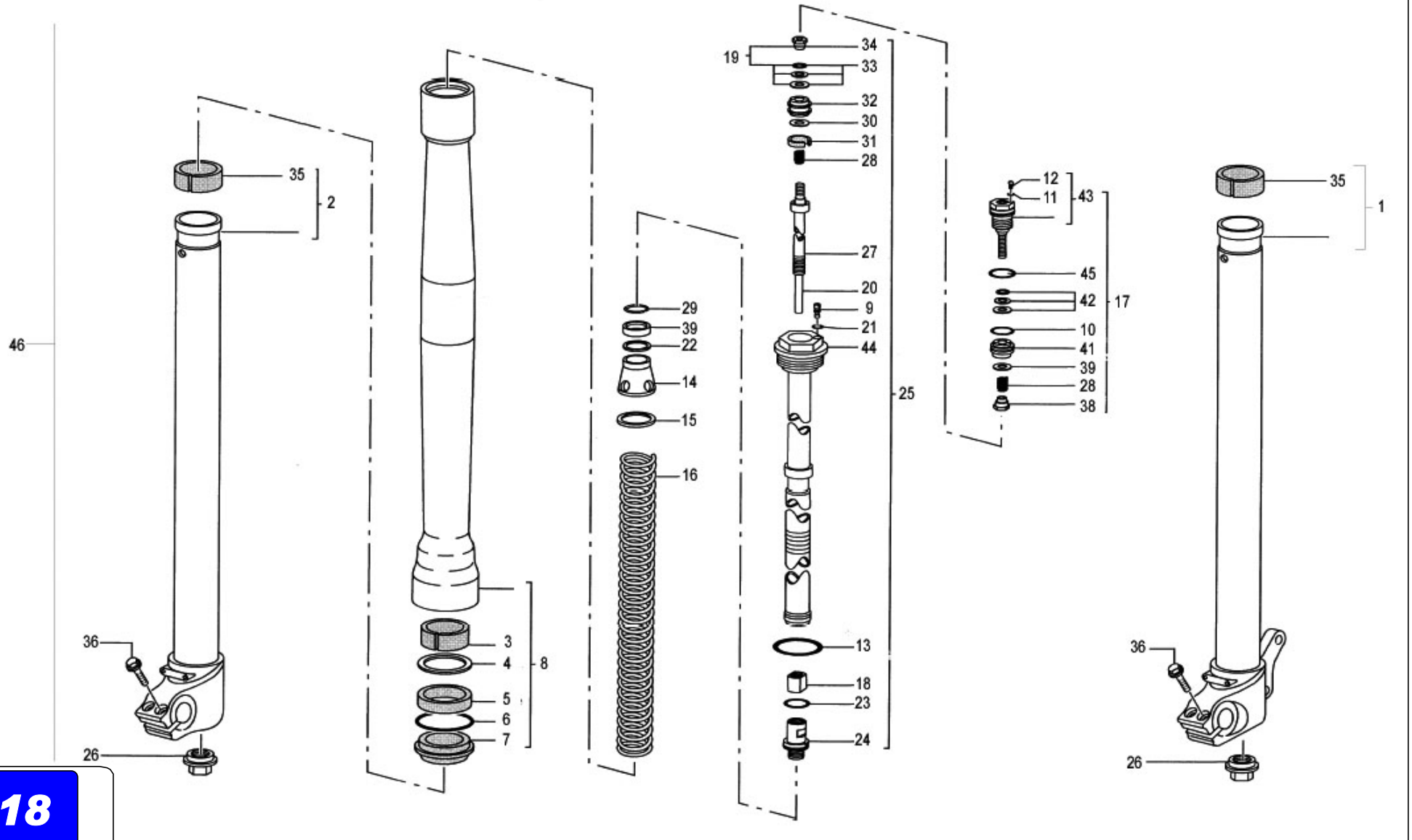
| Nº  | DESCRIPCION / DESCRIPTION                                | 2007          | Cant. |
|-----|--|---------------|-------|
| 34  | POPPET VÁLVULA 02414-01 / POPPET VALVE 02414-01          | BE250314248OH | 1     |
| 35  | TÓRICA 00438-52 / O'RING                                 | BE250314264OH | 1     |
| 36  | ASIENTO VÁLVULA 02415-01 / VALVE SEAT                    | BE250314247OH | 1     |
| 37  | TÓRICA 00438-03 / O'RING                                 | BE250314261OH | 2     |
| 38  | SOPORTE DEL MUELLE 02436-04 / SPRING SUPPORT             | BE250414262OH | 2     |
| 39  | MUELLE HORQUILLA DELANTERA 02428-41 / SPRING FRONT FORK  | BE250414108OH | 2     |
| 40  | BOTELLA 02425-01 / FORK LEG OUTER                        | BE250414206OH | 2     |
| 41  | ADH. PROTECTOR ÖHLINS 02332-05 / COVER STICKER ÖHLINS    | BE250338042OH | 2     |
| 42  | GUÍA SEPARADOR 02409-02 / GUIDE SLEEVE                   | BE250314182OH | 2     |
| 43  | GLACIER BOTELLA 02427-02 / TUBE BUSHING 02427-02         | BE250414134OH | 4     |
| 44  | SEPARADOR 02431-01 / SLEEVE                              | BE250414109OH | 2     |
| 45  | CIRCLIP 05009-12 / CIRCLIP                               | BE250414202OH | 1     |
| 46  | ARANDELA 02412-01 / WASHER                               | BE250414133OH | 2     |
| 47  | RETÉN 02410-02 / SEAL                                    | BE250414212OH | 2     |
| 48  | CIRCLIP 02015-01 / CIRCLIP                               | BE250114132OH | 2     |
| 49  | GUARDAPOLVO 02411-02 / SCRAPER                           | BE250414131OH | 2     |
| 50  | CARTUCHO CILINDRICO 02339-01 / CILINDER TUBE CARTRIDGE   | BE250114114OH | 2     |
| 51  | GLACIER BARRA 02429-02 / BAR BUSHING 02429-02            | BE250414111OH | 2     |
| 52  | BARRA SUSPENSIÓN 02426-01 / FORK LEG INNER               | BE250414110OH | 2     |
| 53  | PROTECTORES HORQUILLA AMARILLOS / YELLOW FORK PROTECTORS | BC120514040   | 1     |
| 53A | PROTECTORES HORQUILLA ROJOS / RED FORK PROTECTORS        | BC250414040   | 1     |
| 53B | PROTECTORES HORQUILLA AZULES / BLUE FORK PROTECTORS      | BC300414040   | 1     |
| 54  | TÓRICA 00438-16 / O-RING                                 | BE250414263OH | 2     |
| 55  | TORNILLO BASE HORQUILLA 02314-02 / BOLT FORK BOTTOM      | BE250114209OH | 4     |
| 56  | BASE BOTELLA IZQUIERDA 02372-27 / FORK BOTTOM LEFT       | BE250414143OH | 1     |
| 57  | BASE BOTELLA DERECHA 02372-28 / FORK BOTTOM RIGHT        | BE250414142OH | 1     |
| 58  | CTO. REGULACIÓN EXTENSIÓN / BASE VALVE ASSY              | BE250314267OH | 1     |
| 59  | TAPÓN 02397-48 / TOP CAP                                 | BE250414105OH | 2     |
| 60  | CTO. REGULACIÓN COMPRESIÓN / COMPRESSION REGULATOR SET   | BE250314268OH | 1     |
| 61  | / BUMP RUBBER 02400-01                                   | BE250314265OH | 2     |
| 62  | / SLIDE WASHER 02403-01                                  | BE250314266OH | 2     |
| 63  | ARANDELA 00520-23 / SHIM                                 | BE250314245OH | 1     |
| 64  | CTO. SUSPENSIÓN OHLINS 2004 / 2004 OHLINS SUSPENSION SET | BE250414000OH | 1     |

**GAS GAS**

**Chasis 17**



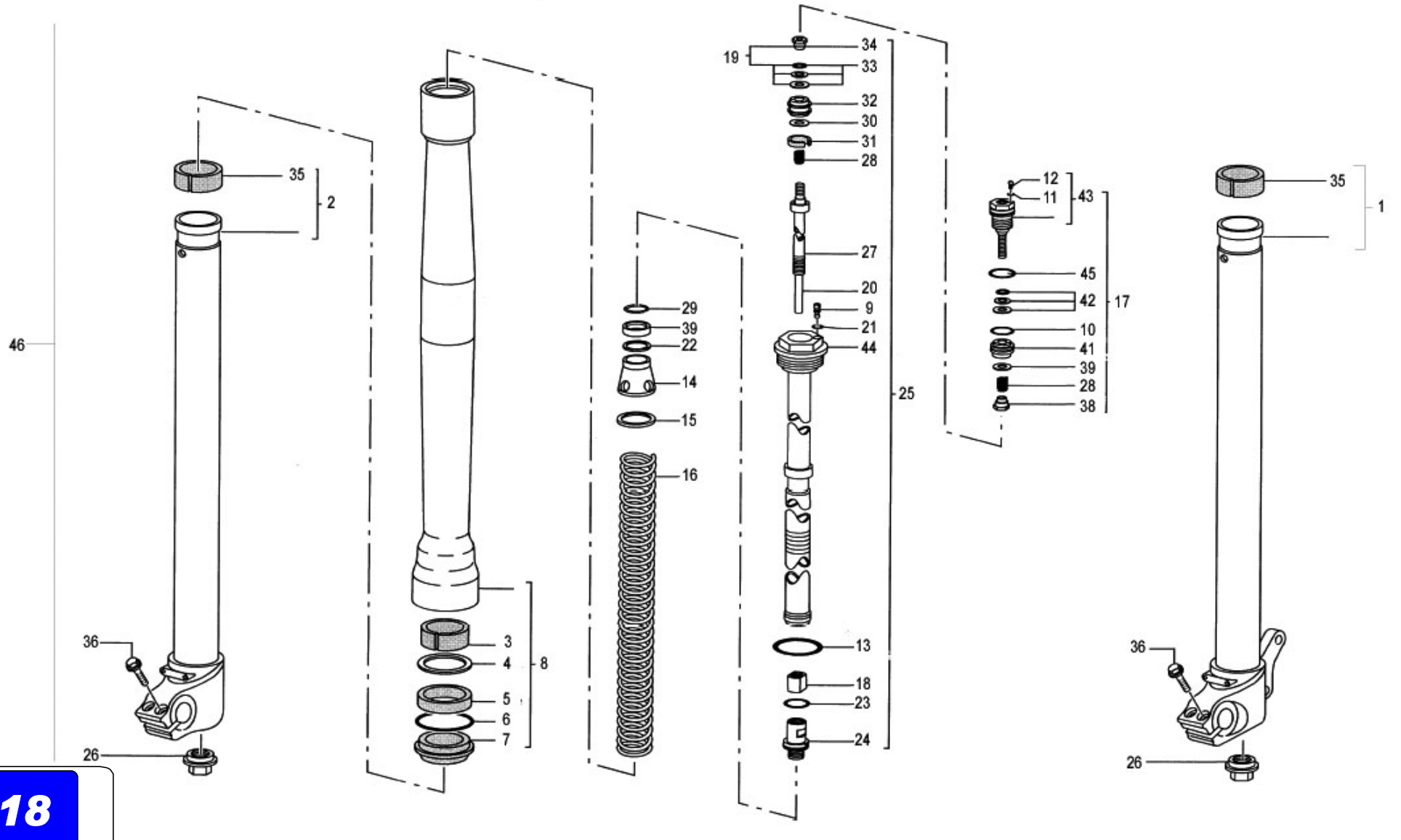
| Nº | DESCRIPCION / DESCRIPTION   | 2007          | Cant. |
|----|---|---------------|-------|
| 65 | BOLA 00884-04 / BALL  | BE2501142500H | 2     |
| 66 | MUELLE 01248-01 / SPRING  | BE2501142260H | 2     |
| 67 | TORNILLO 6X12 HELLA TORC ESPECIAL ZI / ZI SPECIAL TORC HELLA 6X12 SCREW     | T0316012      | 6     |
| 68 | CASQUILLO PROTECTOR SUSP. INVERTIDA / REVERSED SUSPENSION PROTECTOR BUSHING | BC250014050   | 8     |
| 69 | FIJACIÓN LATIGUILLO CROSS / CROSS HOSE HOLDER                               | BC250014155   | 1     |
| 70 | FJACIÓN LATIGUILLO CROSS CON TUERCA / CROSS HOSE HOLDER                     | BC250014156   | 1     |
| 71 | TORNILLO ESPECIAL 6X16 8.8 ZINCADO / SPECIAL ZINC SCREW 6X16 8.8            | T0206016      | 2     |
|    |   |               |       |
|    |   |               |       |
|    |   |               |       |
|    |   |               |       |
|    |   |               |       |
|    |   |               |       |
|    |   |               |       |
|    |   |               |       |
|    |   |               |       |
|    |   |               |       |
|    |   |               |       |
|    |   |               |       |
|    |   |               |       |
|    |   |               |       |
|    |   |               |       |
|    |   |               |       |
|    |   |               |       |
|    |   |               |       |
|    |   |               |       |
|    |   |               |       |
|    |   |               |       |
|    |   |               |       |



| Nº | DESCRIPCION / DESCRIPTION                          | CROSS 250   | Cant. |
|----|--|-------------|-------|
| 1  | BASE HORQUILLA IZQUIERDA / LEFT FORK BASE          | BC250414143 | 1     |
| 2  | BASE HORQUILLA DERECHA / RIGHT FORK BASE           | BC250414142 | 1     |
| 3  | GLACIER BOTELLA 538103 50x45x15 / UPPER BUSH       | S700761     | 2     |
| 4  | ANILLO DE CIERRE / CLOSE RING                      | BC250414133 | 2     |
| 5  | RETÉN SUSPENSIÓN 45X58X11 / SUSPENSION SEAL        | BC250414212 | 2     |
| 6  | ANILLO DE CIERRE / CLOSE RING                      | BC25814132  | 2     |
| 7  | GUARDAPOLVO / DUSTKEEPER                           | G280701     | 2     |
| 8  | CTO. BARRA SUSPENSIÓN / FORK SET                   | BC250514110 | 2     |
| 9  | TORNILLO / SCREW                                   | BC250414103 | 2     |
| 10 | TÓRICA 2087 / O'RING                               | BE250114246 | 2     |
| 11 | TÓRICA 2015 / O'RING                               | BC250414104 | 2     |
| 12 | TORNILLO PEQUEÑO TAPÓN REGULACIÓN / SMALL BOLT     | BC250414227 | 2     |
| 13 | TÓRICA TAPÓN REGULACIÓN / REGULATION CAP O'RING    | BC250414104 | 2     |
| 14 | CASQUILLO REGULACIÓN / REGULATION BUSHING          | BC250414112 | 2     |
| 15 | ARANDELA / WAHER                                   | BC250414107 | 2     |
| 16 | MUELLE 4.5 / SPRING                                | BC250414228 | 2     |
| 17 | GRUPO VÁLVULA / PLUG UNIT                          | BC250514249 | 1     |
| 18 | TUERCA BLOQUEADOR M12X25 / LOCKER NUT              | BC250414242 | 2     |
| 19 | TUERCA + ARANDELA / NUT+SHIMS KIT                  | BC250514253 | 2     |
| 20 | VARILLA INTERNA / INNER ROO                        | BC250414117 | 2     |
| 21 | TÓRICA 3193 / O'RING                               | BC250414187 | 2     |
| 22 | ARANDELA 36X30.1X3 / WASHER                        | BC250414254 | 2     |
| 23 | TÓRICA 2106 / O'RING                               | BC250414255 | 2     |
| 24 | TORNILLO DE APRIETE / REBOONO ADJ.                 | BC250414214 | 2     |
| 25 | CARTUCHO AMORTIGUADOR COMPLETO / OUMPING UNIT      | BC250414192 | 2     |
| 26 | TUERCA INFERIOR / FOOT NUT                         | BC250414314 | 2     |
| 27 | VARILLA / SHAFT                                    | BC250514116 | 2     |
| 28 | MUELLE / SPRING                                    | BE250114118 | 4     |
| 29 | CLIP 30.5X1 / STOP RING                            | BC250414256 | 2     |
| 30 | JUNTA 22X8.1X0.3 / STOP RING                       | BE250514235 | 4     |
| 31 | SEGMENTO PISTÓN / PISTON SEGMENT                   | BE250114120 | 2     |
| 32 | PISTÓN SUSPENSIÓN / SUPENSION PISTON               | BE250514118 | 2     |
| 33 | ARANDELA SUSPENSIÓN 15X8.1X0.1 / SUSPENSION WASHER | BE250114248 | 1     |

**GAS GAS**

**Chasis 18**





| Nº  | DESCRIPCION / DESCRIPTION  | CROSS 250     | Cant. |
|-----|--|---------------|-------|
| 33A | ARANDELA SUSPENSIÓN 19X8.1X0.1 / SUSPENSION WASHER                                       | BE250114248-1 | 1     |
| 33B | ARANDELA SUSPENSIÓN 17X8.1X0.1 / SUSPENSION WASHER                                       | BE250114248-3 | 1     |
| 33C | ARANDELA SUSPENSIÓN 21X8.1X0.1 / SUSPENSION WASHER                                       | BE250114241   | 1     |
| 34  | VÁLVULA BASE / BASE VALVE  | BE250114126   | 2     |
| 35  | CASQUILLO INTERIOR BOTELLA / INNER BUSHING   | BC250414128   | 2     |
| 36  | TORNILLO 6X25 DIN 6921 8.8 / BOLT 6X25   | BC250414114   | 4     |
| 38  | CASQUILLO M6X0.75 / BUSHING  | BE250114244   | 2     |
| 39  | JUNTA 23X8.1X0.3 C72 BLU / GASKET 23X8.1X0.3   | BE250514235   | 2     |
| 41  | PISTÓN SINTER. / PISTON  | BC250414119   | 2     |
| 42  | JUNTA 23X8.1X0.1 / GASKET 23X8.1X0.1   | BC250514248-1 | 2     |
| 42A | JUNTA 20X8.1X0.1 / GASKET 20X8.1X0.1   | BE250114248-4 | 2     |
| 42B | JUNTA 22X8.1X0.1 / GASKET 22X8.1X0.1   | BE250114248-5 | 2     |
| 42C | JUNTA 11X8.1X0.1 / GASKET 11X8.1X0.1   | BE250514248-5 | 2     |
| 42D | JUNTA 11X8.1X0.2 / GASKET 11X8.1X0.2   | BC250514248   | 2     |
| 42E | JUNTA 16X8.1X0.1 / GASKET 16X8.1X0.1   | BE250114248-8 | 2     |
| 42F | JUNTA 18X8.1X0.1 / GASKET 18X8.1X0.1   | BE250314248   | 2     |
| 42G | JUNTA 13X8.1X0.15 / GASKET 13X8.1X0.15   | BC250514248-2 | 2     |
| 42H | JUNTA 14X8.1X0.15 / SHIM 14X8.1X0.15   | BC250514248-3 | 2     |
| 43  | VÁLVULA DE AJUSTE / AJUSTING VALVE   | BC250414115   | 2     |
| 44  | CONJUNTI HIDRÁULICO / BODY UNIT  | BC250414114   | 2     |
| 45  | TÓRICA S125 31.4X1.78 / O'RING 2125  | BC250414250   | 2     |
| 46  | CTO. SUSPENSIÓN DELANTERA MARZOCCHI CROSS 250 / CROSS 250 MARZOCCHI FRONT SUSPENSION SET | BC250714000MZ | 1     |
|     |  |               |       |
|     |  |               |       |
|     |  |               |       |
|     |  |               |       |
|     |  |               |       |
|     |  |               |       |
|     |  |               |       |
|     |  |               |       |
|     |  |               |       |
|     |  |               |       |
|     |  |               |       |
|     |  |               |       |
|     |  |               |       |
|     |  |               |       |
|     |  |               |       |
|     |  |               |       |
|     |  |               |       |

**DESPIECE  
PART LIST**

**ENDUCROSS  
2007**

**125/200/250/300**

**GAS GAS**

RECOMIENDA EL USO DE ACEITE:



Ref.: PUO10738010

**Fecha de edición: Julio 2006**

Los componentes aquí expuestos y referenciados se basan en los datos existentes en la fecha de impresión de este manual. GAS GAS Motos, S.A. se reserva el derecho de efectuar cambios y/o modificaciones sin previo aviso.