

**DESPIECE
PART LIST**

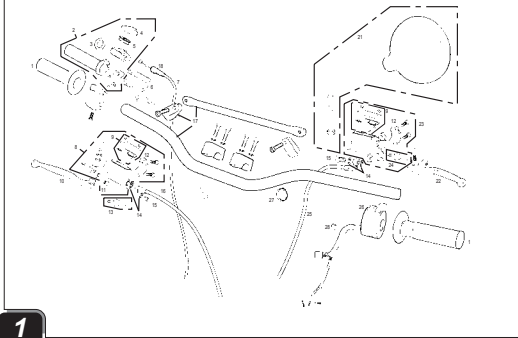
**EC / MC
ROOKIE**

2005

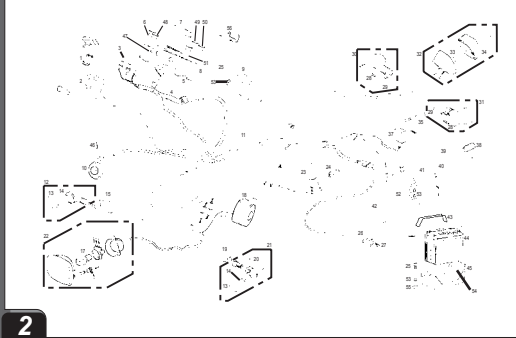
RAAGGAAK

CHASIS

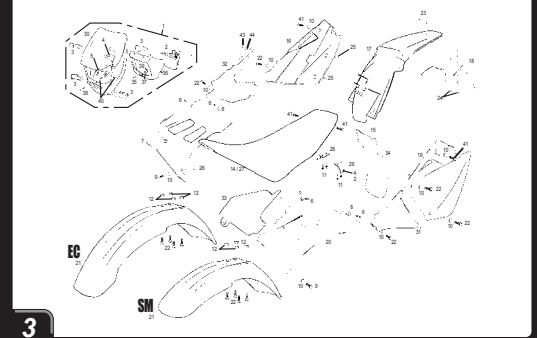
Manillar / Handlebar **CASGAS** EC / SM ROOKIE 05



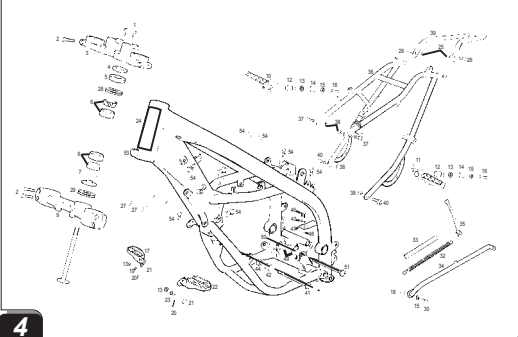
Eléctrico / Electric **CASGAS** EC / SM ROOKIE 05



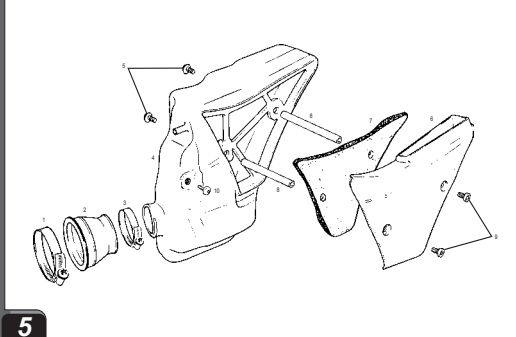
Plásticos / Plastics **CASGAS** EC / SM ROOKIE 05



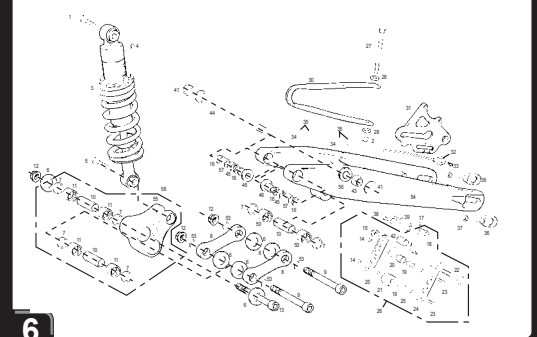
Chasis / Frame **CASGAS** EC / SM ROOKIE 05



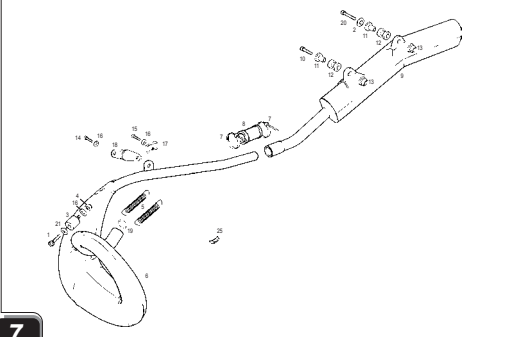
Filtro de aire / Air filter **CASGAS** EC / SM ROOKIE 05



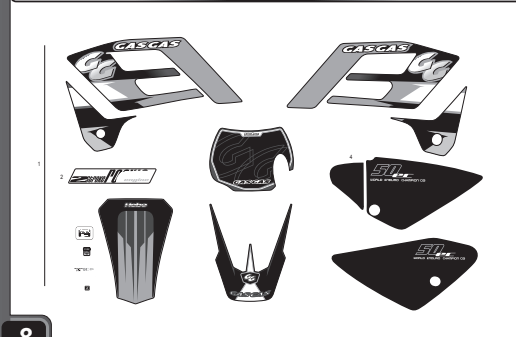
Basculante / Swingarm **CASGAS** EC / SM ROOKIE 05



Tubo escape / Exhaust **CASGAS** EC / SM ROOKIE 05



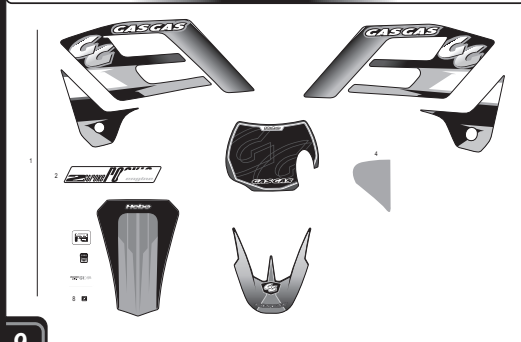
Adhesivos / Decals **CASGAS** EC / SM ROOKIE 05



DESPIECE

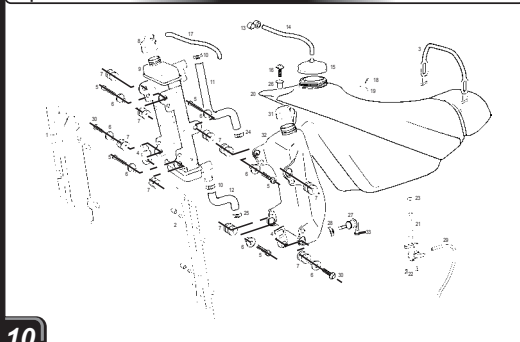
FRAME

Adhesivos / Decals **GASGAS** EC / SM ROOKIE 05



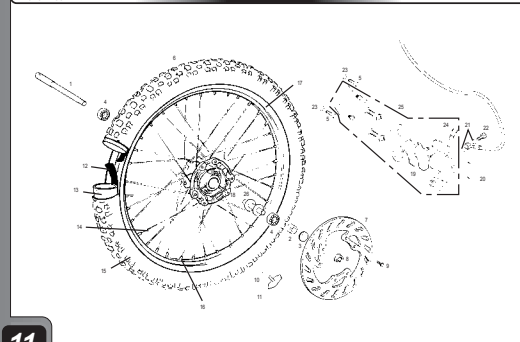
9

Depósito / Fuel tank **GASGAS** EC / SM ROOKIE 05



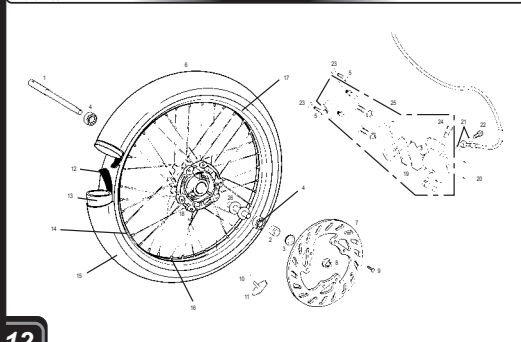
10

Rueda delantera / Front wheel **GASGAS** EC / SM ROOKIE 05



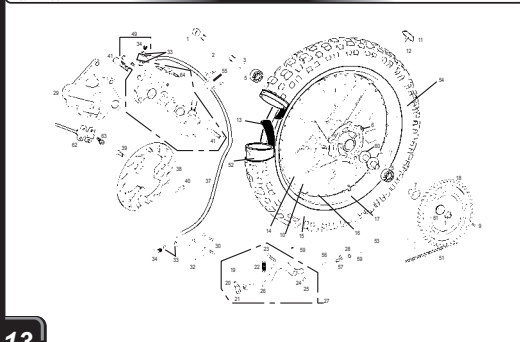
11

Rueda delantera / Front wheel **GASGAS** EC / SM ROOKIE 05



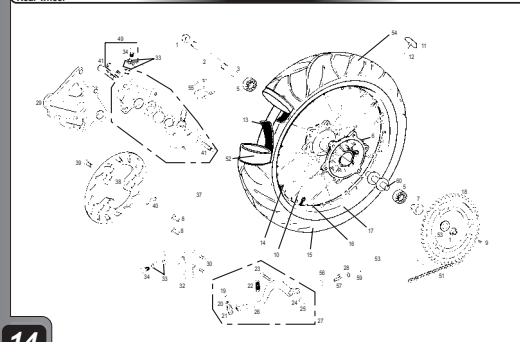
12

Rueda trasera / Rear wheel **GASGAS** EC / SM ROOKIE 05



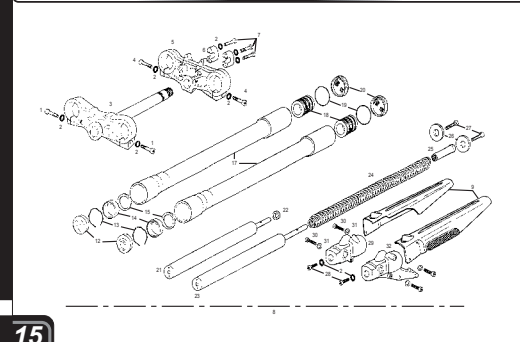
13

Rueda trasera / Rear wheel **GASGAS** EC / SM ROOKIE 05



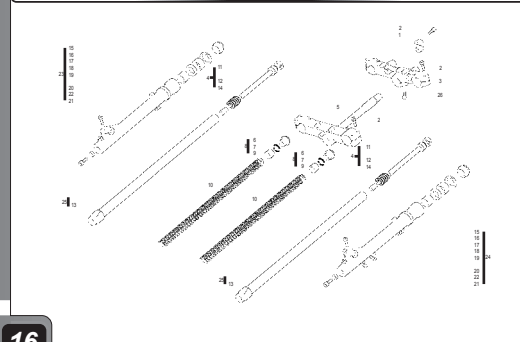
14

Suspension SHOWA / SHOWA Front Fork **GASGAS** EC / SM ROOKIE 05



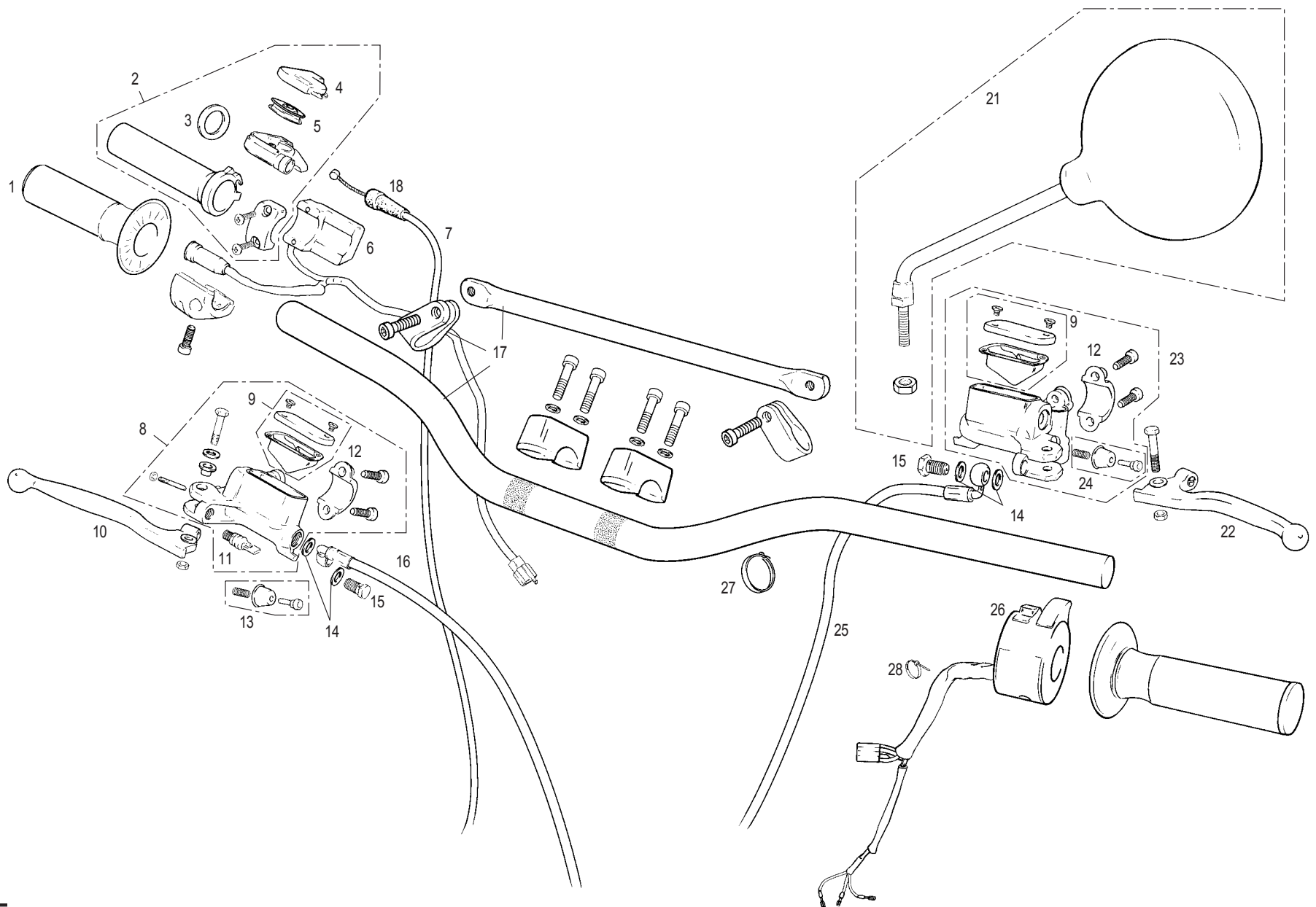
15

Suspension MARZOCCHI / MARZOCCHI Front Fork **GASGAS** EC / SM ROOKIE 05



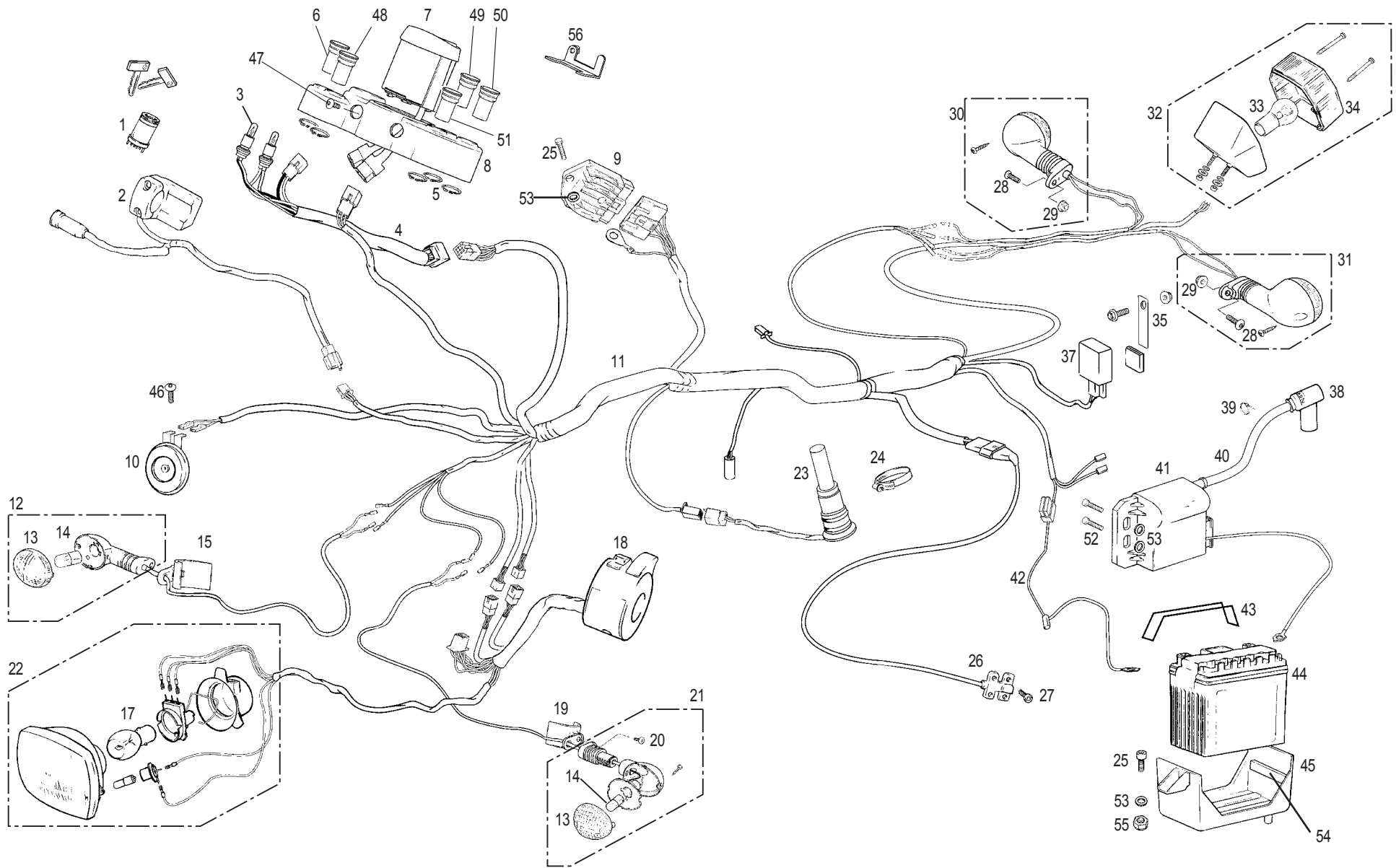
16

PART LIST

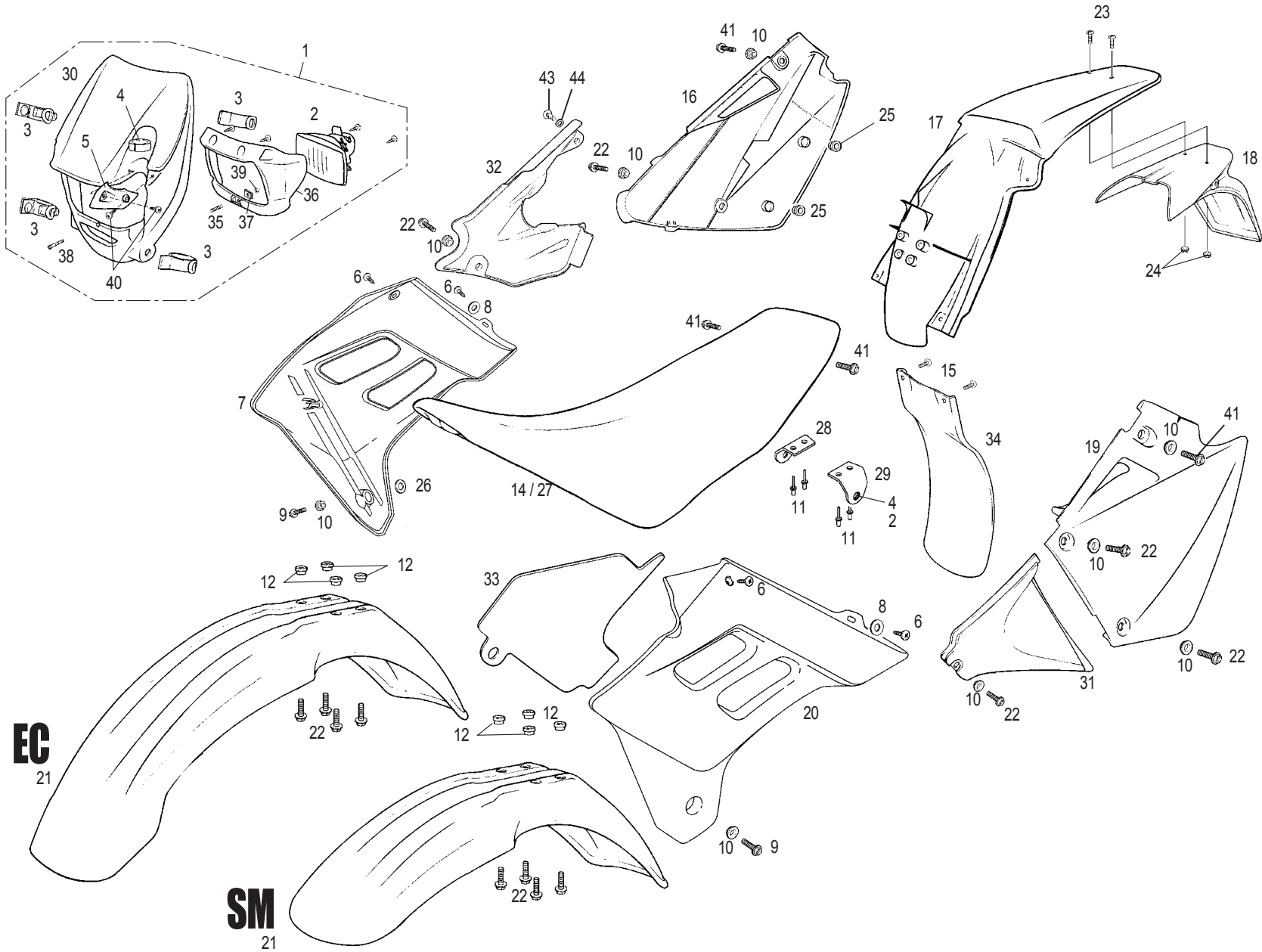


Nº	DESCRIPCION / DESCRIPTION	EC / SM ROOKIE	Cant.
1	JUEGO EMPUÑADURAS NEGRO / BLACK HANDLEBAR GRIP SET	BE250236002	1
2	PUÑO MANDO GAS 1800-03 / 1800-03 TWIST GRIP	E100001	1
3	ARANDELA MANDO GAS / TWIST GRIP WASHER	BT27922078	1
4	TAPA MANDO GAS / COVER TWIST GRIP	E140000	1
5	RODILLO MANDO GAS / ROLLER TWIST GRIP	E119000	1
6	BOTON ARRANQUE / START SWITCH	BIE500134056	1
7	CABLE GAS / THROTTLE CABLE	BIE500124008	1
8	BOMBA FRENO DELANTERO PP "S" / FRONTBRAKE PUMP PP "S"	BS25722008	1
9	TAPA BOMBA FRENO Y EMBRAGUE / BRAKE AND CLUTCH PUMP COVER	R346000	2
10	MANETA FRENO DELANTERO / FRONT BRAKE LEVER	BS25722045	1
11	INTERRUPTOR STOP BOMBA / PUMP STOP SWITCH	L300066	1
12	BRIDA INFERIOR BOMBA PP / LOWER CLAMP	BS25722211	2
13	KIT REPARACIÓN BOMBA FRENO / BRAKE PUMP REPAIR KIT	BS25722208	1
14	ARANDELA LATIGUILLO 10 x14 x1 / 10 x14 x1 HOSE WASHER	BE25622007	4
15	TORNILLO LATERAL BOMBA FRENO DELANTERO / HOSE SCREW	R320000	2
16	LATIGUILLO FRENO DELANTERO / FRONT BRAKE HOSE	BIE500122002	1
17	MANILLAR COMPLETO TT HR30009063P / TT HR30009063P STEERING HANDLEBAR SET	BE25624001	1
18	GUARDAPOLVO PUÑO DE GAS / TWIST GRIP DUST COVER	G600000	1
21	ESPEJO RETROVISOR / REAR-VIEW MIRROR KIT	BS25710095	2
22	MANETA EMBRAGUE HIDRAULICO / CLUTCH LEVER	BS25722040	1
23	BOMBA EMBRAGUE HIDRAULICO PP "S" / HYDRAULIC CLUTCH PUMP	BS25722009	1
24	KIT REPARACIÓN BOMBA EMBRAGUE / CLUTCH PUMP REPAIR KIT	BS25722209	1
25	LATIGUILLO EMBRAGUE / CLUTCH HOSE	BIE500122003	1
26	CONMUTADOR / SWITCH	BIE500134001	1
27	GOMA SUJECCION CABLEADOS / SUBJECTION RUBBER	BFS450320067	2
28	BRIDA UNEX 2244 4.8x20 / UNEX 2244 4.8x20 CLAMP	BE25634009	2

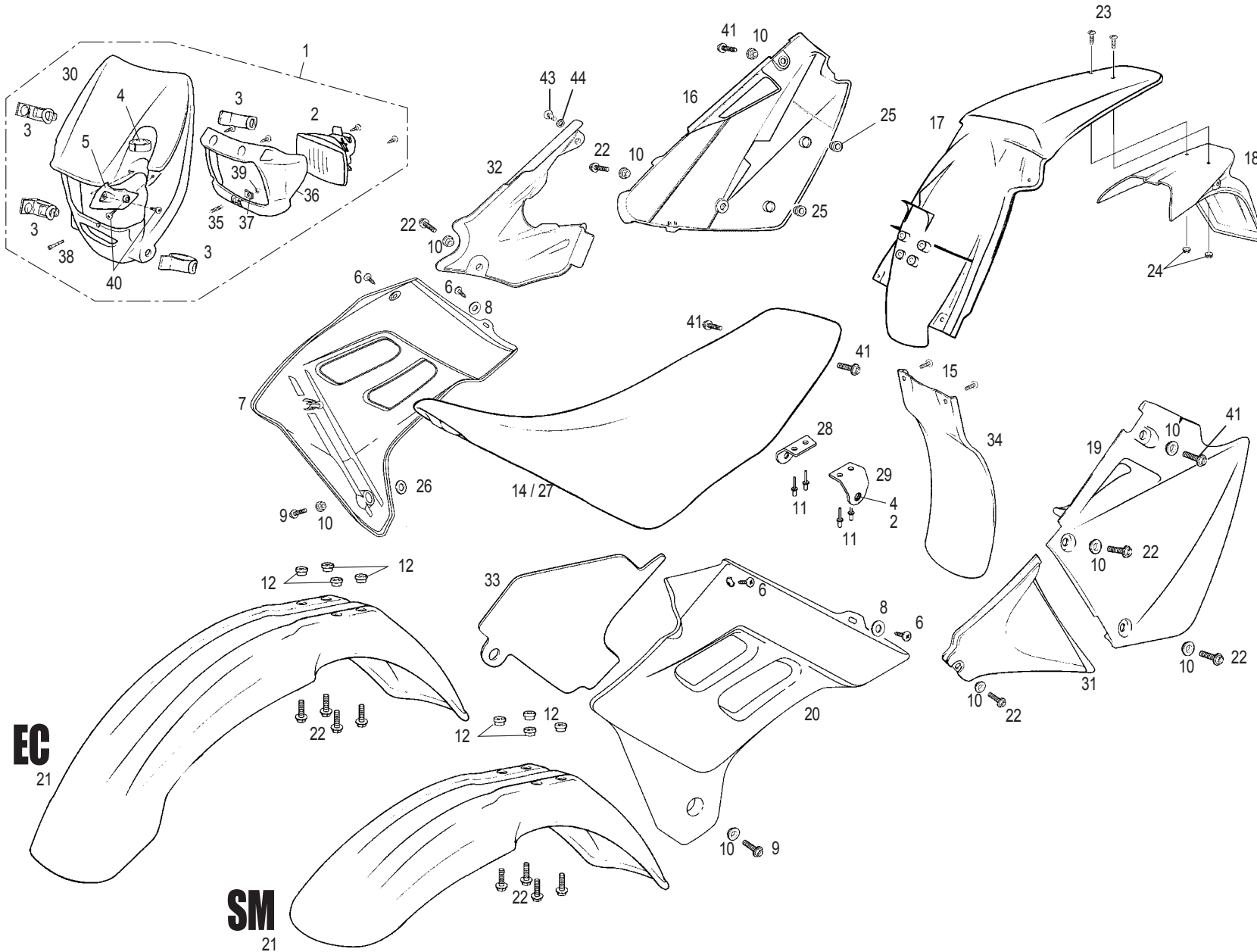
Nº	DESCRIPCION / DESCRIPTION	EC ROOKIE	SM ROOKIE	Cant.
1	CERRADURA DE CONTACTO CON CIERRE / KEY LOCK	BQ050434032		1
2	BOTON ARRANQUE / START BUTTON	BIE500134056		1
3	BOMBILLA 12V / 12V LAMP	L300123		2
4	CABLEADO CTA. KMS / SPEED COUNTER INSTALLATION	BE250134023		1
5	CLIP TESTIGO / LIGHT CLIP	BE250134042		5
6	TESTIGO / INDICATOR	BE250134038		1
7	MULTIFUNCION ENDURO / ENDURO MULTIFUNCTION	BE250134005	BE250134005SM	1
8	SOPORTE CTA. KMS / SPEED COUNTER SUPPORT	BE250134045		1
9	REGULADOR / REGULATOR	BIE050434051		1
10	CLAXON / CLAXON	BIE050434020		1
11	INSTALACION / INSTALLATION	BIE050434004		1
12	INTERMITENTE DERECHO DELANTERO / FRONT RIGHT INDICATOR	BE250134018		1
13	CRISTAL INTERMITENTE ENDURO / INDICATOR COVER	BE250134120		4
14	BOMBILLA 12V 10W / 12V 10W LAMP	L200118		4
15	SOP. INTERMITENTE DEL. DERECHO / FRONT RIGHT INDICATOR SUPPORT	BE250134017		1
17	BOMBILLA 12v 25/25 / 12V 25/25 LAMP	L300124		1
18	CONMUTADOR / SWITCH	BIE500134001		1
19	SOP. INTERMITENTE DEL. IZQUIERDO / FRONT LEFT INDICATOR SUPPORT	BE250134020		1
20	TORNILLO ROSCA-CHAPA 6.3x16 ZINCADO NEGRO / 6.3x16 SCREW	T0706316		2
21	INTERMITENTE IZQUIERDO DELANTERO / FRONT LEFT INDICATOR	BE250134019		1
22	OPTICA 307.17 / 307.17 OPTIC	BE250220024		1
23	SONDA NIVEL ACEITE / OIL LEVEL SENSOR	BIE500134013		1
24	ABRAZADERA / CLAMP	BE050434064		1
25	ALLEN 6x16 / 6x16 ALLEN BOLT	T0306016		2
26	REENVIO / HALL	BT280034050		1
27	TORNILLO ESPECIAL M4x9 / M4x9 SPECIAL SCREW	T0204009		4
28	TORNILLO ULS M6 x16 / M6 x 16 ULS SCREW	T0506016N		2
29	TUERCA AUTOBLOCANTE M6 CON ARANDELA / M6 SELF-LOCKING NUT W/W.	T2206002		2
30	INTERMITENTE DERECHO TRASERO / REAR RIGHT INDICATOR	BE250134021		1
31	INTERMITENTE IZQUIERDO TRASERO / REAR LEFT INDICATOR	BE250134022		1
32	PILOTO TRASERO / REAR LIGHT	BP25734015		1
33	BOMBILLA 12V5-21W / 12V5-21W LAMP	L300116		1
34	CRISTAL PILOTO / PILOT LIGHT	BP25734115		1
35	SOPORTE CAJA INTERMITENCIAS / BOX SUPPORT	BFS400134057		1
37	CAJA INTERMITENCIAS / BOX	BS25734055		1
38	PIPA BUJIA / SPARK PLUG CAP	BE25934000		1
39	BRIDA UNEX CORTA 2.5x98 / UNEX 2.5x98 SHORT CLAMP	BE25634010		1
40	CABLE BOBINA 26cm. / 26cm. COIL CABLE	BIE500134033		1
41	BOBINA 85W / 85W COIL	Y00.141735		1



Nº	DESCRIPCION / DESCRIPTION	EC ROOKIE	SM ROOKIE	Cant.
42	RELE ARRANQUE / STARTING RELAY	BIE050434075		1
43	TORICA TAPA F.114x4 / F.114x4 O'RING COVER	P270100		1
44	BATERIA / BATTERY	BP25734080		1
45	CAJA BATERIA / BATTERY BOX	BIE500134083		1
46	ULS 8x12 / 8x12 ULS BOLT	T0508012		1
47	ULS 6x10 CON ARANDELA PLATA / 6x10 ULS WITH WASHER	T0556010		1
48	TESTIGO LUZ MARCADOR ACEITE / OIL SENSOR LIGHT INDICATOR	BIE500134039		1
49	TESTIGO LUZ LARGA / LONG LIGHT INDICATOR	BE250134038		1
50	TESTIGO LUZ POSICION / SHORT LIGHT INDICATOR	BE250134037		1
51	TESTIGO LUZ INTERMITENTES / INDICATOR LIGHT	BE250134036		1
52	ALLEN 6X20 / 6X20 ALLEN BOLT	T0306020		2
53	ARANDELA PLANA 6x12x1.5 / 6x12x1.5 LOW WASHER	T4006012		4
54	TIRA GOMA ADH. LATERALES CHASIS / RUBBER STICKER	BE25638018		2
55	TUERCA AUTOBLOCANTE BAJA M6 / M6 LOW SELF-LOCKING NUT	T2106001		1
56	SOPORTE CTA.KMS ROOKIE 2004 / ROOKIE 2004 SPEED COUNTER SUPPORT	BE050434045/2		1

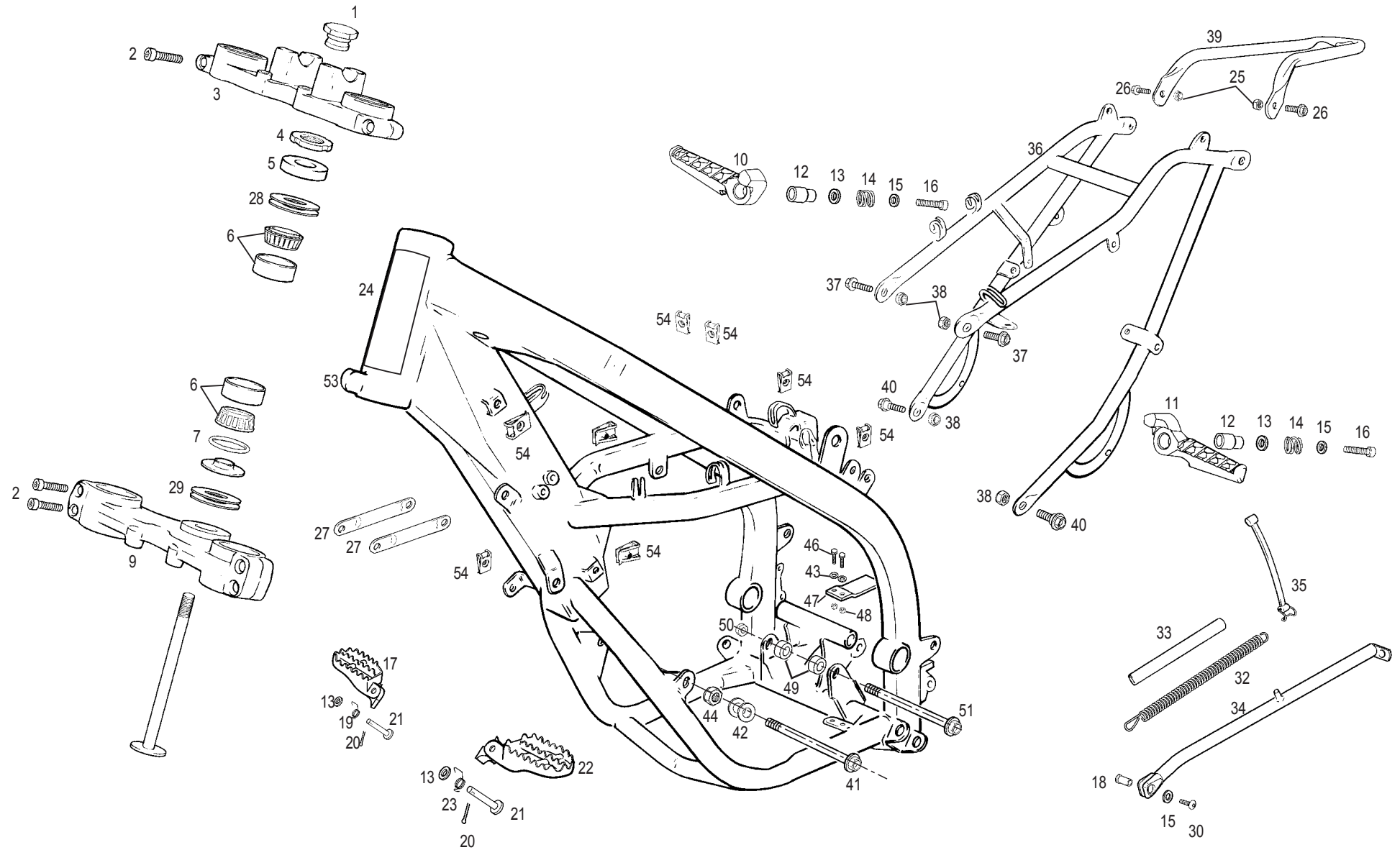


Nº	DESCRIPCION / DESCRIPTION	amarillo - yellow	rojo - red	azul - blue	negro - black	Cant.
1	CTO. FARO DELANTERO / FRONT HEADLIGHT SET	BE050520020AMCT	BE050520020CT	BE050520020AZCT	BE25040020SM	1
2	OPTICA NORMAL / STANDARD LAMP		BE250220024			1
3	GOMA SUJETAFARO D.38 PP / D.38 PP HEADLAMP RUBBER HOLDER		BE25636015			4
4	GUIA CABLE FARO ENDURO / ENDURO HEADLAMP CABLE GUIDE		BE25920053			1
5	TAPETA GUIA CABLE / HOSE GUIDE CAP	BX200120023	BX250120023	BX300120023	BE250120023SM	1
6	TORNILLO ROSCA CHAPA 3.5x13 / 3.5x13 SCREW		BE250420063/2			4
7	PLACA LATERAL RADIADOR DERECHA / RIGHT RADIATOR COVER	BE120520012	BE250520012	BE300520012	BE250420012SM	1
8	ARANDELA NYLON 4,5x14x1 / 4,5x14x1 NYLON WASHER		T6004141			2
9	TORNILLO ESPECIAL 6x16 ZINCADO / 6x16 ZINC TREATED SPECIAL SCREW		T0206016			2
10	CASQUILLO TAPA RADIADOR ALUMINIO / ALUMINIUM SIDE COVER BUSHING		BE250032060			7
11	REMACHE SILLIN 14x4.8x14 / 14x4.8x14 SEAT RIVET		BE25610017			4
12	CASQUILLO GUARDABARROS CON VOLONA / FRONT FENDER BUSHING		BE250014118			4
14	SILLIN FSE 2004 / FSE 2004 SEAT		BFS450510015			1
15	TORNILLO ESPECIAL 6x20 / 6x20 SPECIAL SCREW		T0606020			4
16	PORTANUMEROS LATERAL DERECHO / RIGHT REAR COVER	BE050520004AM	BE050520004	BE050520004AZ	BE050520004SM	1
17	GUARDABARROS TRASERO / REAR FENDER	BE120520007	BE250520007	BE300520007	BE250420007SM	1
18	PORTAMATRICULAS TRASERO / REAR LICENSE PLATE HOLDER		BE250420003			1
19	PORTANUMEROS LATERAL IZQUIERDO / LEFT SIDE COVER	BE050520005AM	BE050520005	BE050520005AZ	BE050420005SM	1
20	PLACA LATERAL RADIADOR IZQUIERDA / LEFT RADIATOR COVER	BE120520013	BE250520013	BE300520013	BE250420013SM	1
21	GUARDABARROS DELANTERO / FRONT FENDER	BE05052006AM	BE050520006	BE050520006AZ	BE050420006SM	1
22	TORNILLO ESPECIAL M6x20 / M6x20 SPECIAL SCREW		T0206020			5
23	TORNILLO PHILIPS M6x25 / M6x25 PHILIPS SCREW		T0706025			2
24	TUERCA AUTOBLOCANTE CON ARANDELA / SELF-LOCKING NUT WITH WASHER		T2106002			2
25	TOPE GOMA PLACA LATERAL / SIDE COVER RUBBER END		BE250020104			2
26	ARANDELA NYLON 6,5x16x1 / 6.5x16x1 NYLON WASHER		T06065017			2
27	FUNDA SILLIN / SEAT COVER		BFS450410055			1
28	SOPORTE SILLIN DERECHO ALUMINIO / ALUMINIUM RIGHT SEAT HOLDER		BE250010019			1
29	SOPORTE SILLIN IZQUIERDO ALUMINIO / ALUMINIUM LEFT SEAT HOLDER		BE250010020			1
30	FARO DELANTERO / FRONT HEADLIGHT	BE120420020	BE250420020	BE300420020	BE250420020SM	1
31	SEMITAPA LATERAL IZQUIERDA / LEFT SIDE COVER		BIE500120038/2			1
32	SEMITAPA LATERAL DERECHA / RIGHT SIDE COVER		BIE500120037/2			1
33	DEFLECTOR RADIADOR / RADIATOR SPOILER		BIE500120014			1

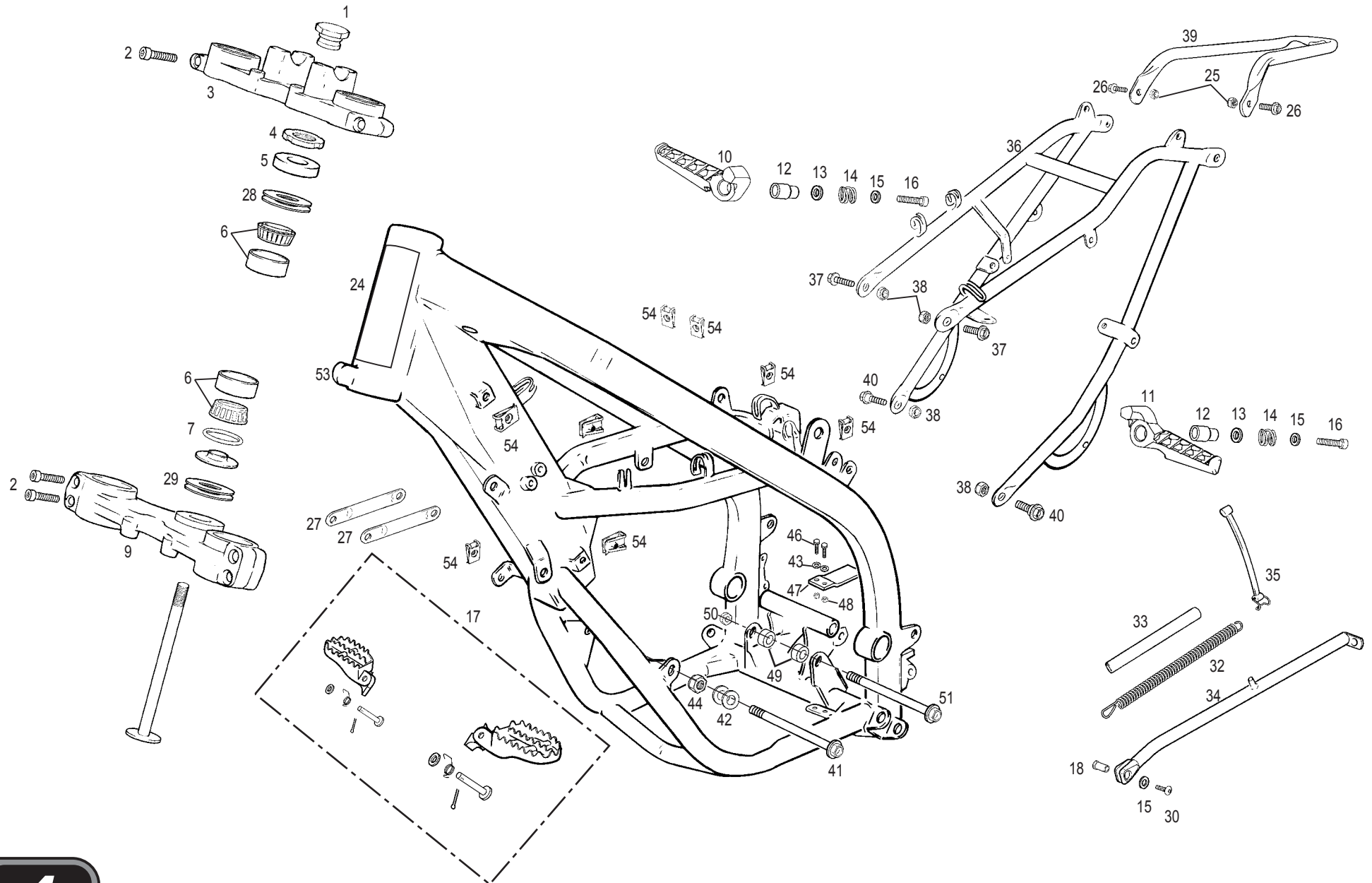


Nº	DESCRIPCION / DESCRIPTION	EC / SM ROOKIE	Cant.
34	PROTECTOR SUSP. TRASERA / REAR SHOCK ABSORBER PROTECTOR	BE25620008	1
35	MUELLE TORNILLO REGULACIÓN OPTICA / SCREW REG. LAMP SPRING	BX250020026	1
36	PORTAOPTICA FARO GRANADA / GRANADA BASE LAMP	BX250020027	1
37	GRAPA REGULADOR FARO GRANADA / GRANADA HEADLIGHT REGULATOR STAPLE	BX250020029	1
38	ALLEN REGULADOR OPTICA / LAMP REG. ALLEN	T0304035	1
39	TUERCA TORNILLO REGULACION OPTICA / LAMP REG. NUT	T2004000	1
40	TORNILLO ROSCA CHAPA 3x9 / 3X9 SCREW	T1003009	2
41	TORNILLO ESPECIAL M6x25 / M6x25 SPECIAL SCREW	T0606025	2
42	TUERCA REMACHABLE M6 / M6 REVITABLE NUT	T2706000	2
43	TORNILLO ULS 6x16 / 6x16 ULS BOLT	T0506016	1
44	ARANDELA PLANA 6x12x1.5 / 6x12x1.5 LOW WASHER	T4006012	1



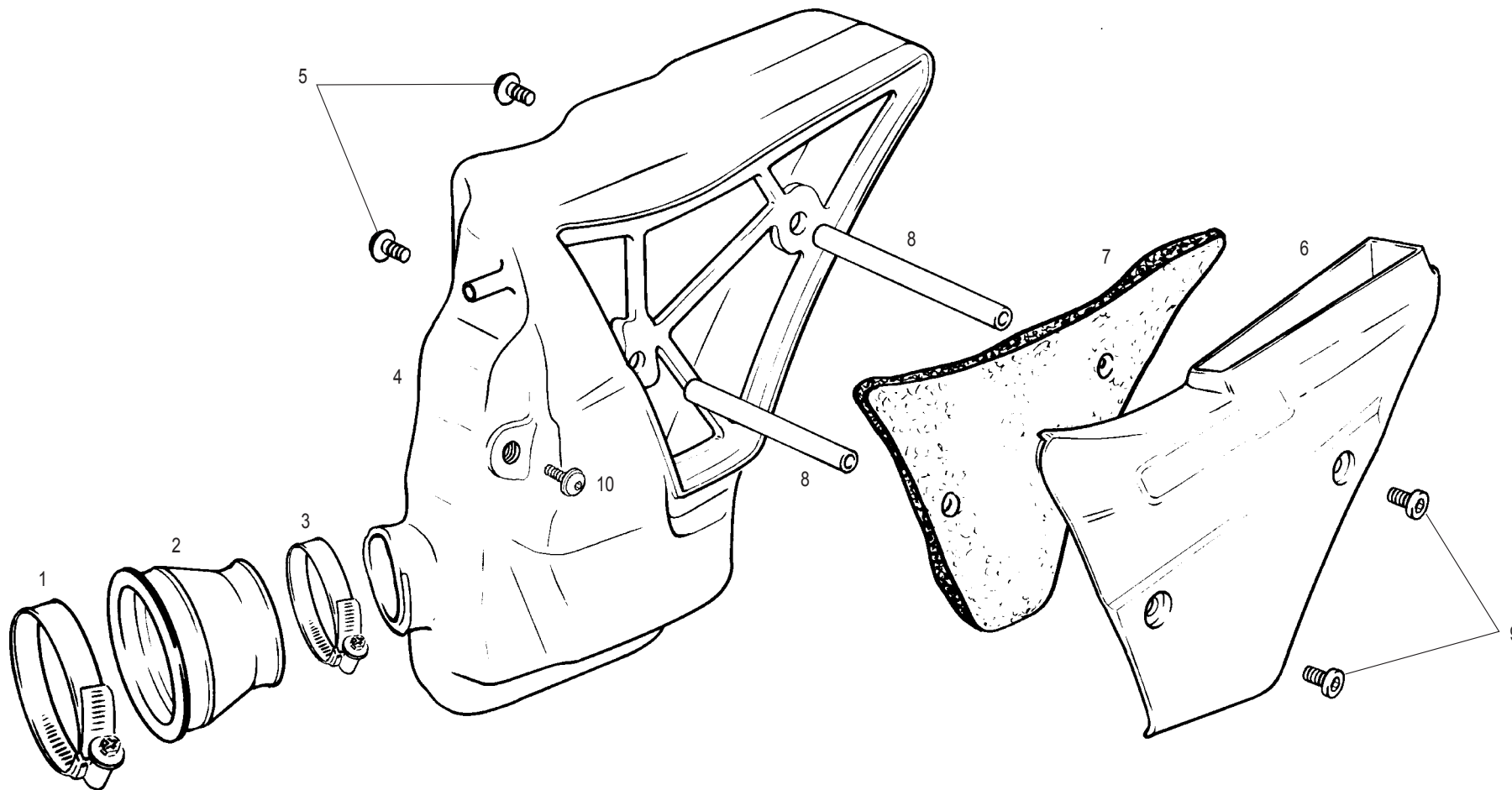


Nº	DESCRIPCION / DESCRIPTION	EC / SM ROOKIE	Cant.
1	TUERCA DIRECCION / STEERING NUT	BEP250210030	1
2	ALLEN 8x35 / 8x35 ALLEN BOLT	T0308035	6
3	BRIDA SUSPENSION SUPERIOR / FORK CLAMP (UPPER)	BEP250214001	1
4	TUERCA DIRECCION 99 / 99 STEERING SHAFT NUT	BT27910029	1
5	GUARDAPOLVO COJINETE DIRECCION / BEARING DUST COVER	BT27910026	1
6	COJINETE DIRECCIÓN / STEERING BEARING	C140100	2
7	TORICA DIRECCIÓN 34.59x2.62 / 34.59x2.62 STEERING O'RING	C300100	1
9	BRIDA SUSPENSION INFERIOR CON TIJA / FORK CLAMP (LOWER)	BE050414002	1
10	ESTRIBO TRASERO DERECHO / RIGHT REAR FOOTREST	BIE500110102	1
11	ESTRIBO TRASERO IZQUIERDO / LEFT REAR FOOTREST	BIE500110103	1
12	CASQUILLO GUIA ESTRIBOS TRASEROS / REAR FOOTREST BUSHING	BIE500110104	2
13	ARANDELA PLANA 10x20x2 / 10x20x2 WASHER	T4001020	4
14	MUELLE ESTRIBO TRASERO / REAR FOOTREST SPRING	BIE500110037	2
15	ARANDELA PLANA 8x16x1.5 / 8x16x1.5 WASHER	T4008016	3
16	ALLEN M8x35 / M8x35 ALLEN	T0308035	2
17	CONJUNTO ESTRIBOS DERECHO E IZQUIERO/ LEFT AND RIGHT FOOTREST SET	BE250510002CT	1
18	CASQUILLO CABALLETE / SIDE STAND BUSHING	BT27712011	1
24	ADH. PLACA IDENTIFICACION / IDENTIFICATION STICKER	PU000338007	1
25	TUERCA AUTOBLOCANTE M6 C/ARAND / M6 SELF-LOCKING NUT	T2206002	2
26	TORNILLO ESPECIAL M6x25 / M6x25 SPECIAL SCREW	T0606025	2
27	TIRANTE CILINDRO / CILINDER HEAD BRACE	BIE500110050	2
28	ARANDELA 22.4x36x0.7 REGLAJE / 22.4x36x0.7 REGULATE WASHER	T4022036	2
29	ARANDELA 40x17x1 TORICA DIRECCION / 40x17x1 STEERING WASHER	BT280010026	2
30	ULS 8x12 / 8x12 ULS	T0508012	1
32	MUELLE CABALLETE / SIDESTAND LEVER SPRING	BEP250210039	1
33	TUBO PLASTICO PROTECCION MUELLE CABALLETE 13x1 / 13x1 PROTECTION TUBE	BT27912050	1
34	CABALLETE ROOKIE / ROOKIE SIDESTAND LEVER	BIE050212010	1
35	GOMA SUJECCIÓN CDI / CDI RUBBERBAND HOLDER	BE250034100	1
36	COLA CHASIS / TAILFRAME	BIE050410001	1
37	TORNILLO ESPECIAL 8x25 CON DISTANCIADOR / 8x25 SPECIAL SCREW	T02080255	2
38	TUERCA AUTOBLOCANTE M8 BAJA / M8 SELF-LOCKING NUT	T2108001	4
39	COLIN SOPORTE GUARDABARROS TRASERO / REAR FENDER SUPPORT	BE250010018	1
40	TORNILLO ESPECIAL 8x20 / 8x20 SPECIAL SCREW	T0208020	2
41	ALLEN 8x90 CAL. 12.9 / 8x90 CAL. 12.9 ALLEN	T0308090	1
42	ARANDELA PLANA 6.5x16x1.5 / 6.5x16x1.5 WASHER	T4006016	2
43	ARANDELA 5x12x1.5 / 5x12x1.5 WASHER	T4005012	2
44	TUERCA AUTOBLOCANTE CON ARANDELA M8 / M8 SELF-LOCKING NUT	T2208002	1
46	ULS 5x16 / 5x16 ULS	T0505016	2
47	PROTECTOR GOMA INFERIOR CHASIS / RUBBER PROTECTION	BIT50012026	1

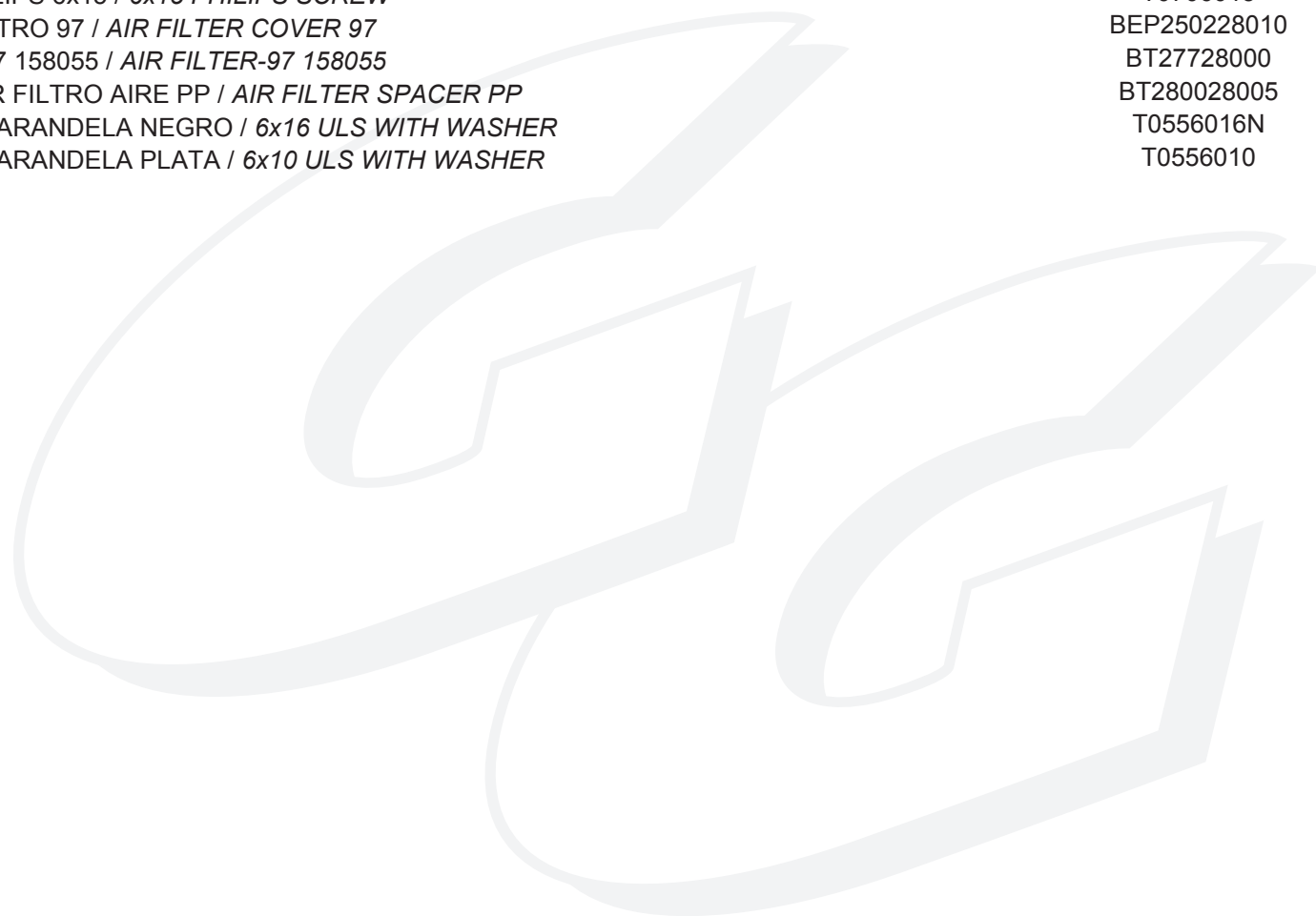


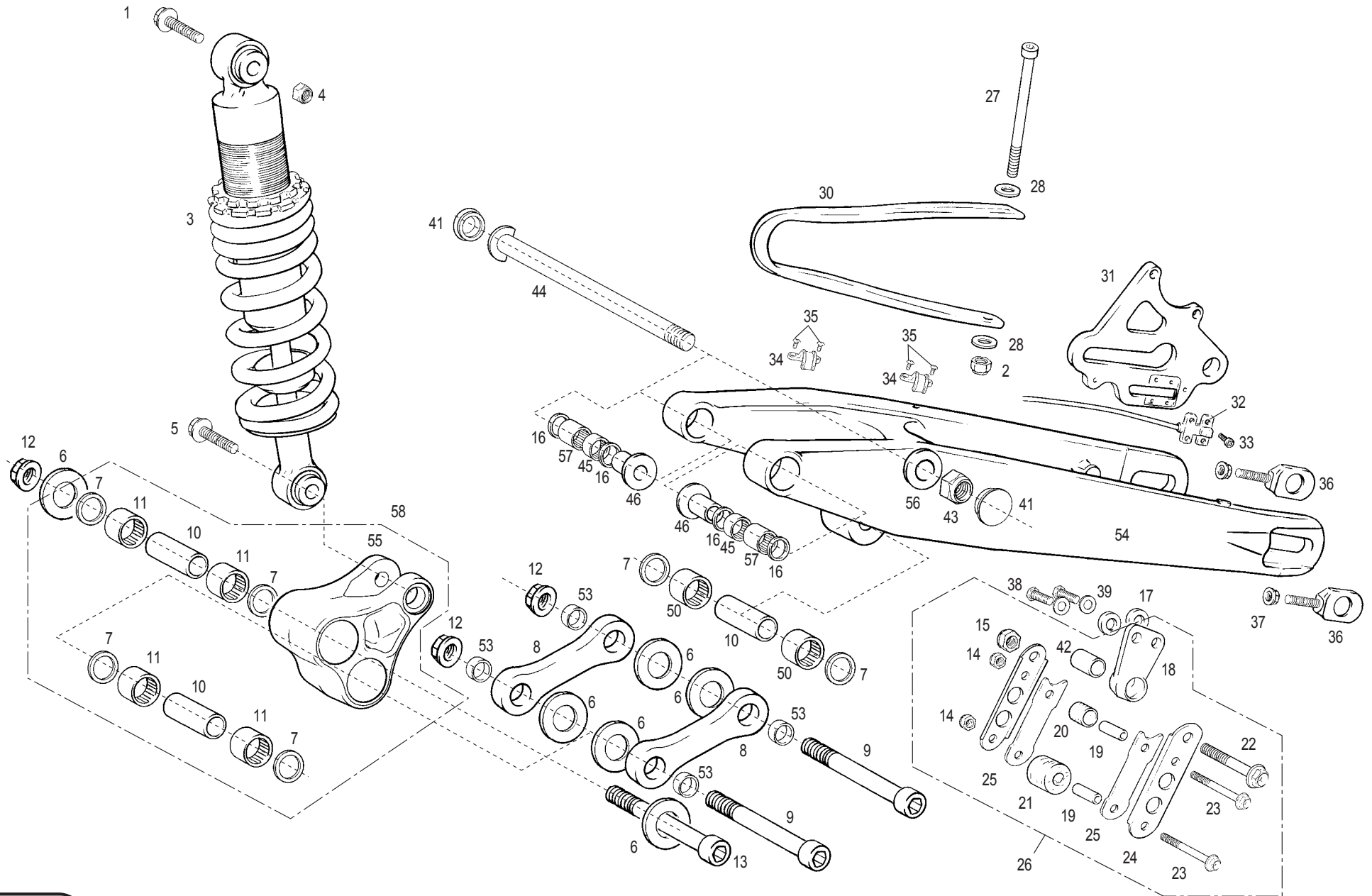
N°	DESCRIPCION / DESCRIPTION	EC / SM ROOKIE	Cant.
48	TUERCA AUTOBLOCANTE M-5 / <i>M5 SELF-LOCKING NUT</i>	T2105001	2
49	CASQUILLO SOPORTE MOTOR POSTERIOR / <i>REAR ENG. HOLDER BUSHING</i>	BIE500110968	2
50	TUERCA AUTOBLOCANTE M10 DIN 985 / <i>M10 DIN 985 SELF-LOCKING NUT</i>	T2110001	1
51	ALLEN M10x120 12.9 ZINCADO / <i>M10x120 12.9 ALLEN</i>	T0310122	1
53	CHASIS ENDURO ROOKIE 50 / <i>ENDURO ROOKIE 50 FRAME</i>	BE050510000/2	1
54	TUERCA 956 RAPIDA M-6 / <i>956 FAST M6 NUT</i>	T2606000	8



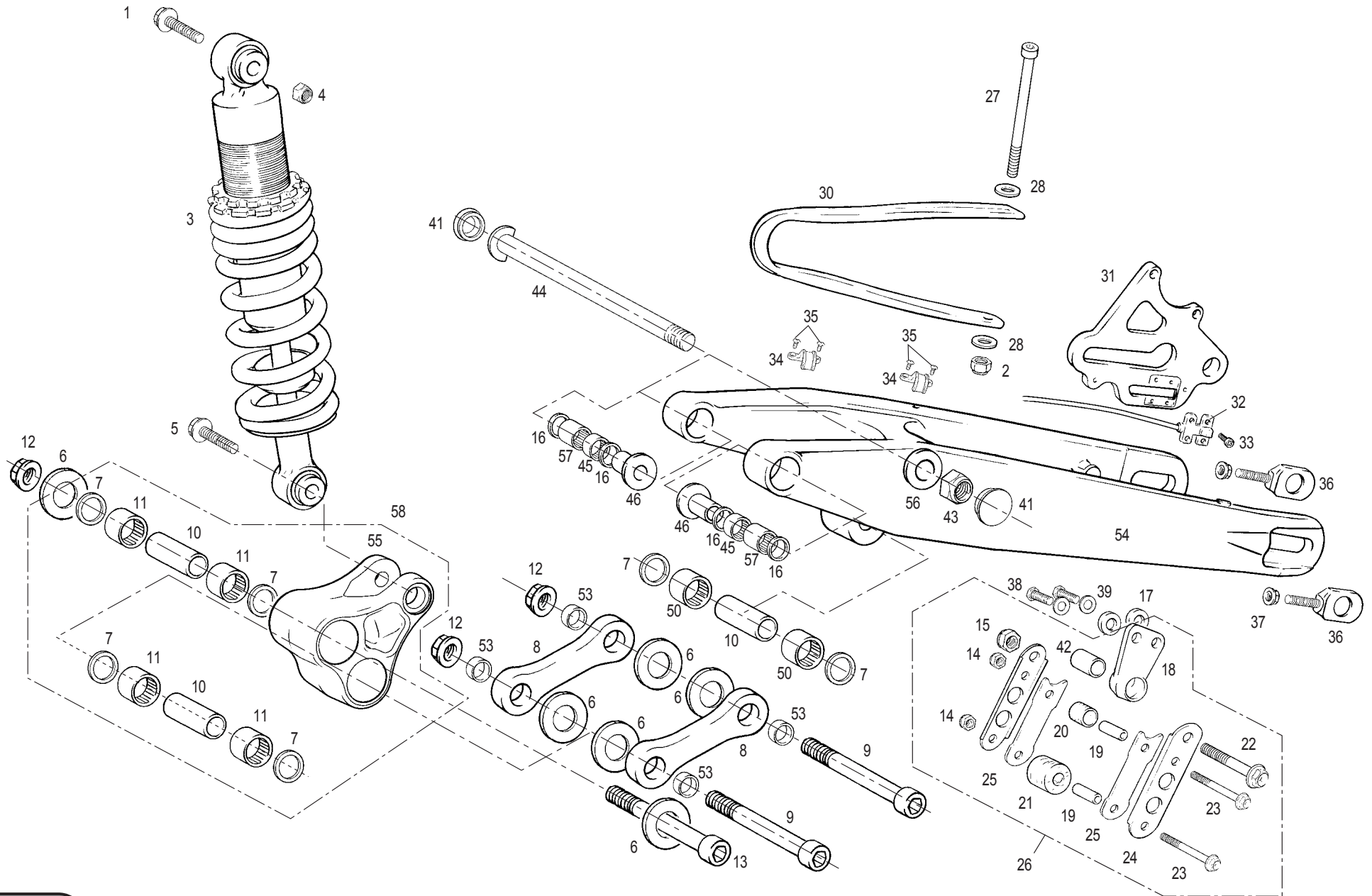


Nº	DESCRIPCION / DESCRIPTION	EC / SM ROOKIE	Cant.
1	ABRAZADERA 50-70 / 50-70 CLAMP	L200048	1
2	TUBERA FILTRO CARBURADOR / AIR FILTER TUBE	BIE500136010	1
3	ABRAZADERA CARBURADOR. / CARBURETTOR CLAMP	B640000	1
4	CAJA FILTRO / AIR FILTER BOX	BE050528015	1
5	TORNILLO PHILIPS 6x15 / 6x15 PHILIPS SCREW	T0706015	2
6	TAPA CAJA FILTRO 97 / AIR FILTER COVER 97	BEP250228010	1
7	FILTRO AIRE-97 158055 / AIR FILTER-97 158055	BT27728000	1
8	DISTANCIADOR FILTRO AIRE PP / AIR FILTER SPACER PP	BT280028005	2
9	ULS 6x16 CON ARANDELA NEGRO / 6x16 ULS WITH WASHER	T0556016N	2
10	ULS 6x10 CON ARANDELA PLATA / 6x10 ULS WITH WASHER	T0556010	1

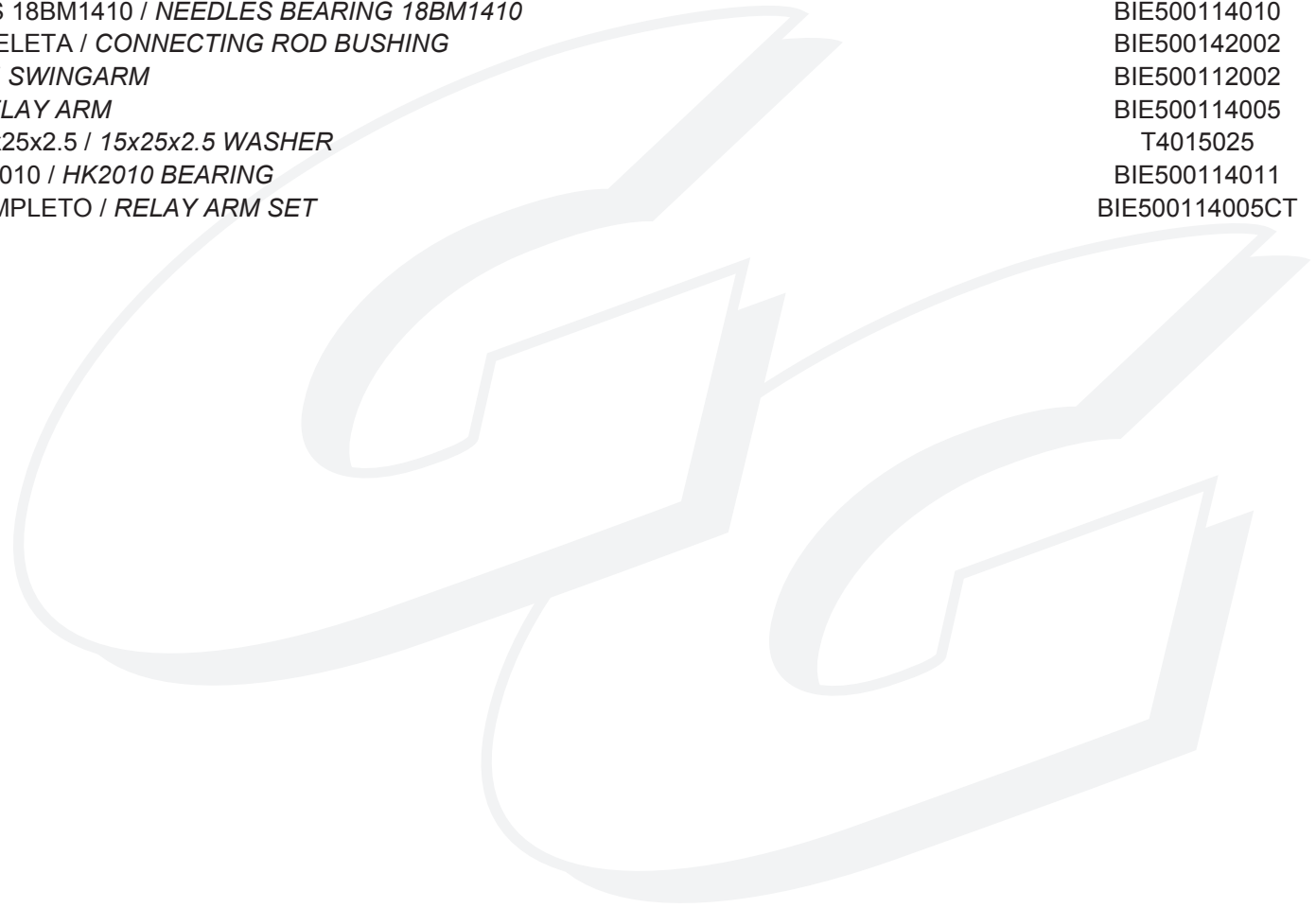


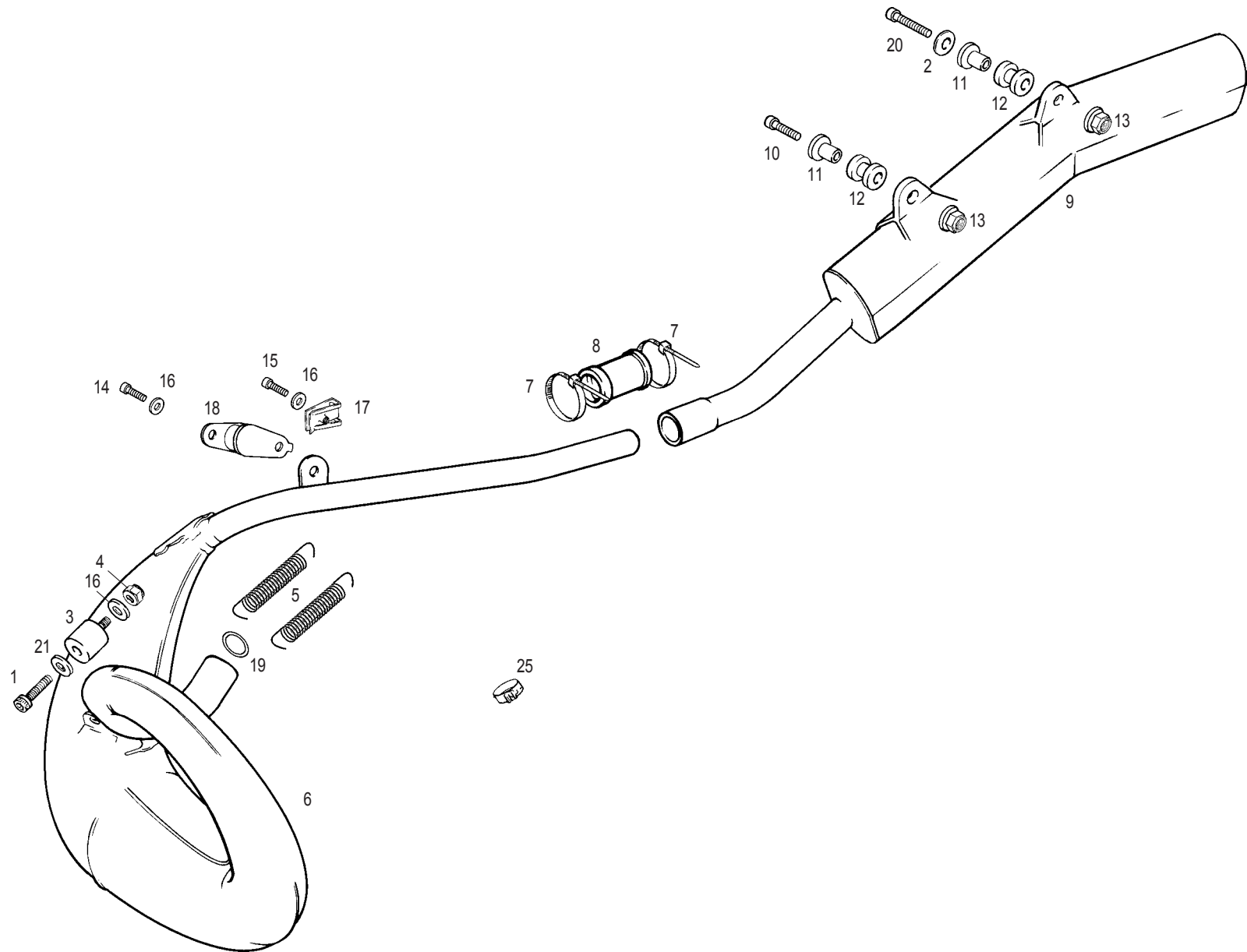


Nº	DESCRIPCION / DESCRIPTION	EC / SM ROOKIE	Cant.
1	ALLEN 10x55 / 10x55 ALLEN BOLT	T0301055	1
2	TUERCA AUTOBL. M6 ALTA / M6 SELF-LOCKING NUT	T2106002	1
3	AMORTIGUADOR / SHOCK ABSORBER	BIE500114004	1
4	TUERCA AUTOBLOCANTE M10 (DIN 985) / (DIN 985) M10 SELF-LOCKING NUT	T2110001	1
5	TORNILLO ESPECIAL ALLEN M10x38 / M10x38 SPECIAL SCREW	T0311040	1
6	ARANDELA 12.5x28x1 / 12.5x28x1 WASHER	T4012528	6
7	RETEN 18x24x3 SUSPENSION TRASERA / REAR SUSPENSION 18x24x3 SEAL	BIE500110011	6
8	BIELETA / CONNECTING ROD	BIE500114008	2
9	TORNILLO ALLEN M12x85 / M12x85 ALLEN SCREW	T0312085	2
10	CASQUILLO 12x18x48 SUSPENSION TRASERA / 12x18x48 REAR SHOCK BUSHING	BIE500112014	3
11	JAULA AGUJAS 18BM2416 / 18BM2416 NEEDLES BEARING	BIE500114010	4
12	TUERCA CON ARANDELA AUTOBLOCANTE M12 / M12 SELF-LOCKING NUT	T2212000	3
13	ALLEN M12x80 / M12x80 ALLEN	T0312080	1
14	TUERCA AUTOBLOCANTE M6 BAJA / M6 SELF-LOCKING NUT	T2106001	2
15	TUERCA AUTOBLOCANTE M8 BAJA / M8 SELF-LOCKING NUT	T2108001	1
16	RETEN 20-26-4 870 BASCULANTE / 20-26-4 870 SWINGARM SEAL	C220001	4
17	DISTANCIADOR SOPORTE GUIA CADENA PEQUEÑO / CHAIN GUIDE HOLDER SPACER	BE25612020	2
18	SOPORTE GUIA CADENA / CHAIN GUIDE HOLDER	BE25612018	1
19	CASQUILLO TOPE GUIA CADENA / CHAIN GUIDE BUSHING	BIE500110025	2
20	RODILLO GUÍA CADENA SUPERIOR / UPPER CHAIN GUIDE ROLLER		1
21	RODILLO GUIA CADENA 13.5x32x17 / 13.5x32x17 CHAIN GUIDE ROLLER	BIE500110032	1
22	TORNILLO ESPECIAL 8x40 / 8x40 SPECIAL SCREW	T0208040	1
23	TORNILLO ESPECIAL 6x40 / 6x40 SPECIAL SCREW	T0306040	2
24	PLATINA GUIA CADENA / CHAIN GUIDE BRACKET	BE25912017	2
25	TIRA NYLON ANTIRUIDO / NOISE-REDUCTION NYLON	BE25612022	2
26	CONJUNTO TENSOR CADENA / CHAIN TIGHTER SET	BIE500112018CT	1
27	TORNILLO HEXAGONAL M6x90 / M6x90 HEXAGONAL BOLT	MIT50016031	1
28	ARANDELA 6x18x1.5 / 6x18x1.5 WASHER	T4006018	2
30	PATIN CADENA / CHAIN SLIDING PAD	BE250112015	1
31	SOPORTE PINZA FRENO TRASERO / REAR BRAKE	BIE500122120	1
32	REENVIO HALL / HALL SENSOR	BT280034050	1
33	TORNILLO ESPECIAL M4x9 / M4x9 SPECIAL SCREW	T0204009	4
34	SUJECCION LATIGUILLO SOBRE BASCULANTE / SWINGARM HOSE HOLDER	BE25612006	2
35	ULS 5x12 / 5x12 ULS	T0505012	4
36	TENSOR RUEDA / CHAIN PULLER	BIE500118022	2
37	TUERCA CILINDRO ESPECIAL 10/150 / 10/150 CILINDER NUT	M01613001	2
38	HEXAGONAL 8x20 (DIN 933) / (DIN 933) 8x20 HEX. BOLT	T0108020	2
39	ARANDELA 8x16x1.5 / 8x16x1.5 WASHER	T4008016	2
41	TAPON BASCULANTE / SWINGARM CAP	G230000	2

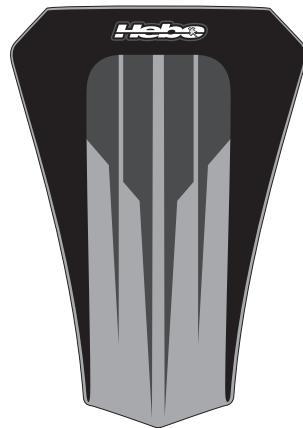
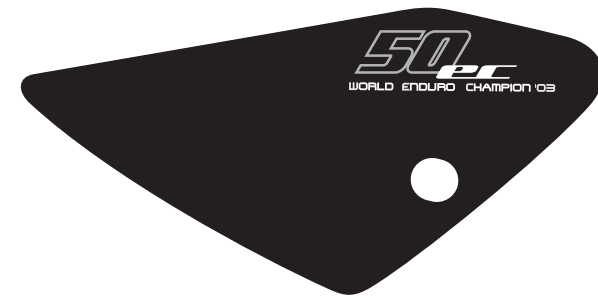


Nº	DESCRIPCION / DESCRIPTION	EC / SM ROOKIE	Cant.
42	SILENBLOCK SOPORTE GUIA CADENA / CHAIN GUIDE HOLDER SILENBLOCK	BE25612019	1
43	TUERCA BASCULANTE / SWINGARM NUT	BE25612009	1
44	EJE BASCULANTE / SWINGARM SHAFT	BE25912008	1
45	JAULA AGUJAS HK2020 / HK2020 NEEDLES BEARING	C100001	2
46	CASQUILLO BASCULANTE / SWINGARM BUSHING	BIE500112107	2
50	JAULA AGUJAS 18BM1410 / NEEDLES BEARING 18BM1410	BIE500114010	2
53	CASQUILLO BIELETA / CONNECTING ROD BUSHING	BIE500142002	4
54	BASCULANTE / SWINGARM	BIE500112002	1
55	BALANCIN / RELAY ARM	BIE500114005	1
56	ARANDELA 15x25x2.5 / 15x25x2.5 WASHER	T4015025	1
57	COJINETE HK2010 / HK2010 BEARING	BIE500114011	2
58	BALANCIN COMPLETO / RELAY ARM SET	BIE500114005CT	1





Nº	DESCRIPCION / DESCRIPTION	EC ROOKIE	SM ROOKIE	Cant.
1	ULS 6x10 CON ARANDELA / 6x10 ULS BOLT WITH WASHER	T0556010		1
2	ARANDELA PLANA 6x20x1.5 / 6x20x1.5 WASHER	T4006020		1
3	SILENTBLOCK ESCAPE 8986 25/20MF6 / 8986 25/20MF6 EXHAUST SILENBLOCK	BE25626007		1
4	TUERCA AUTOBLOCANTE BAJA M6 / M6 LOW SELF-LOCKING NUT	T2106001		1
5	MUELLE ESCAPE / EXHAUST SPRING	BE25610042		2
6	TUBO ESCAPE / EXHAUST TUBE	BE050526001	BE050526001/SM	1
7	BRIDA UNEX 2244 4.8x20 / 2244 4.8x20 UNEX CLAMP	BE25634009		2
8	GOMA UNION ESCAPE-SILENCIOSO / SILENCER TO EXHAUST RUBBER LINK	BIE500126230		1
9	SILENCIOSO FINAL / FINAL SILENCER	BIE050226002/2		1
10	ALLEN 6x30 / 6x30 ALLEN BOLT	T0306030		1
11	CASQUILLO SILENTBLOCK SILENCIADOR ALUMINIO / ALUM. SILENCER BUSHING	BE250026000		2
12	SILENTBLOCK SILENCIADOR / SILENCER SILETNBLOCK	BE250026005		2
13	TUERCA AUTOBLOCANTE CON ARANDELA M6 / M6 SELF-LOCKING NUT	T2206000		2
14	TORNILLO ESPECIAL 6x168.8 ZINCADO / 6x168.8 SPECIAL SCREW	T0106016		1
15	ALLEN 6x16 / 6x16 ALLEN	T0206020		1
16	ARANDELA 6x18x1.5 / 6x18x1.5 WASHER	T4006018		3
17	TUERCA NUT 956 RAPIDA M6 / M6 FAST NUT	T2606000		1
18	SILENTBLOCK ESCAPE 10942 / EXHAUST SILENTBLOCK 10942	BE25626004		1
19	TORICA ESCAPE 2001 / 2001 EXHAUST PIPE O`RING	BIE500126003		1
20	ALLEN 6x45 / 6x45 ALLEN	T0306045		1
21	ARANDELA KLINGERIT 7x25x2 / 7x25x2 WASHER	T4006725		1
22	VALVULA AIS / AIS VALVE	BE050526060		1
23	TUBO DE ESCAPE A VÁLVULA / EXHAUST PIPE TO VALVE TUBE	BE050526061		1
24	TUBO DE VÁLVULA A CAJA FILTRO / VALVE TO FILTER BOX TUBE	BE050526062		1
25	ABRAZADERA COBRA DE 17 / 17 COBRA CLAMP	BIT50010033		1



1

2

4

N° | DESCRIPCION / DESCRIPTION

amarillo / yellow

rojo / red

azul / blue

Cant.

- 1 CTO. ADH. EC ROOKIE 2004 / EC ROOKIE 2004 STICKERS SET
- 2 ADH. ROOKIE 2T BASCULANTE / ROOKIE 2T STICKER ARM
- 4 ADH. TAPA FILTRO / AIR FILTER COVER STICKER

BE050438000AM

BE050438000RO

BE050438000AZ

1

BE250538005

2

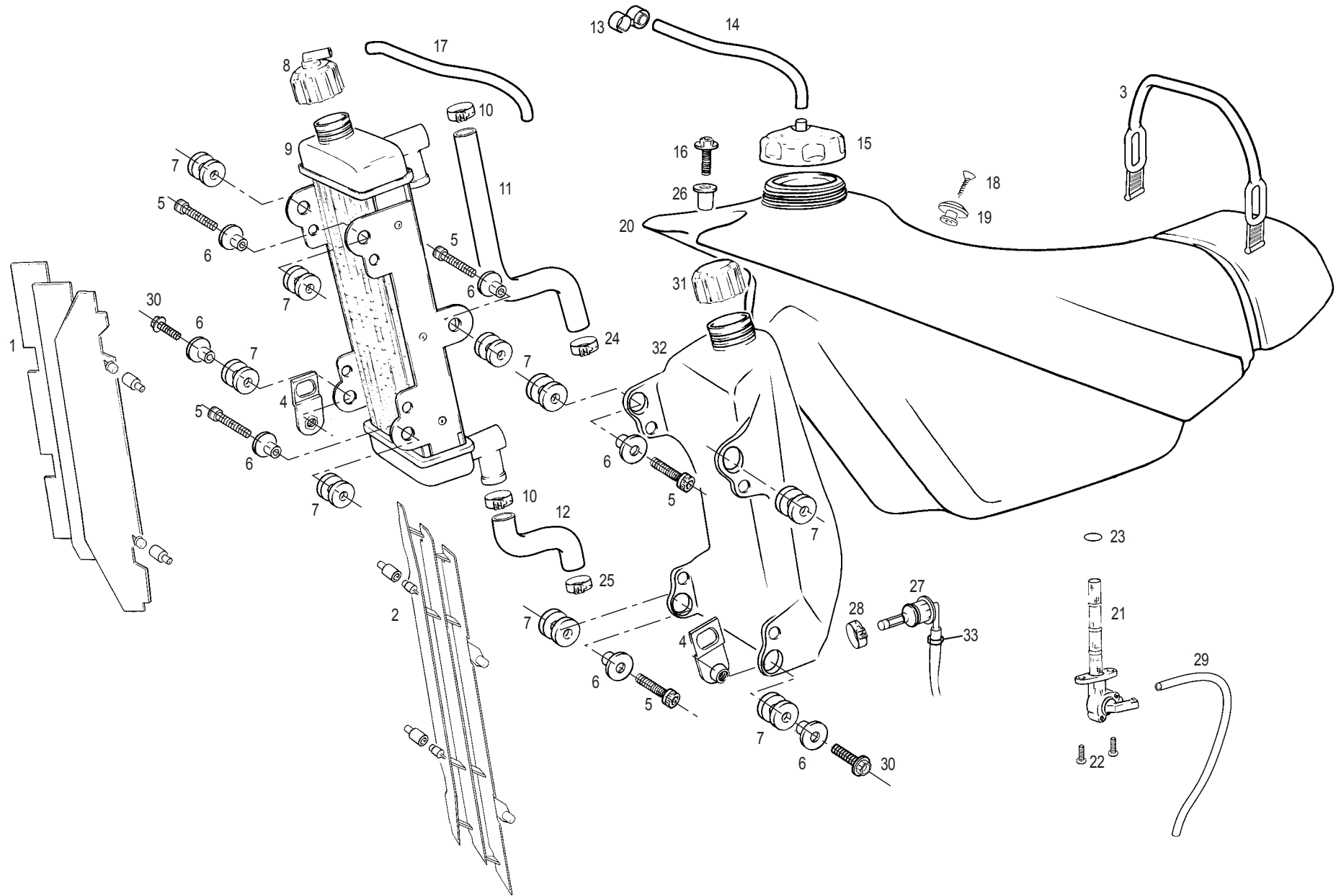
BE250538049

1

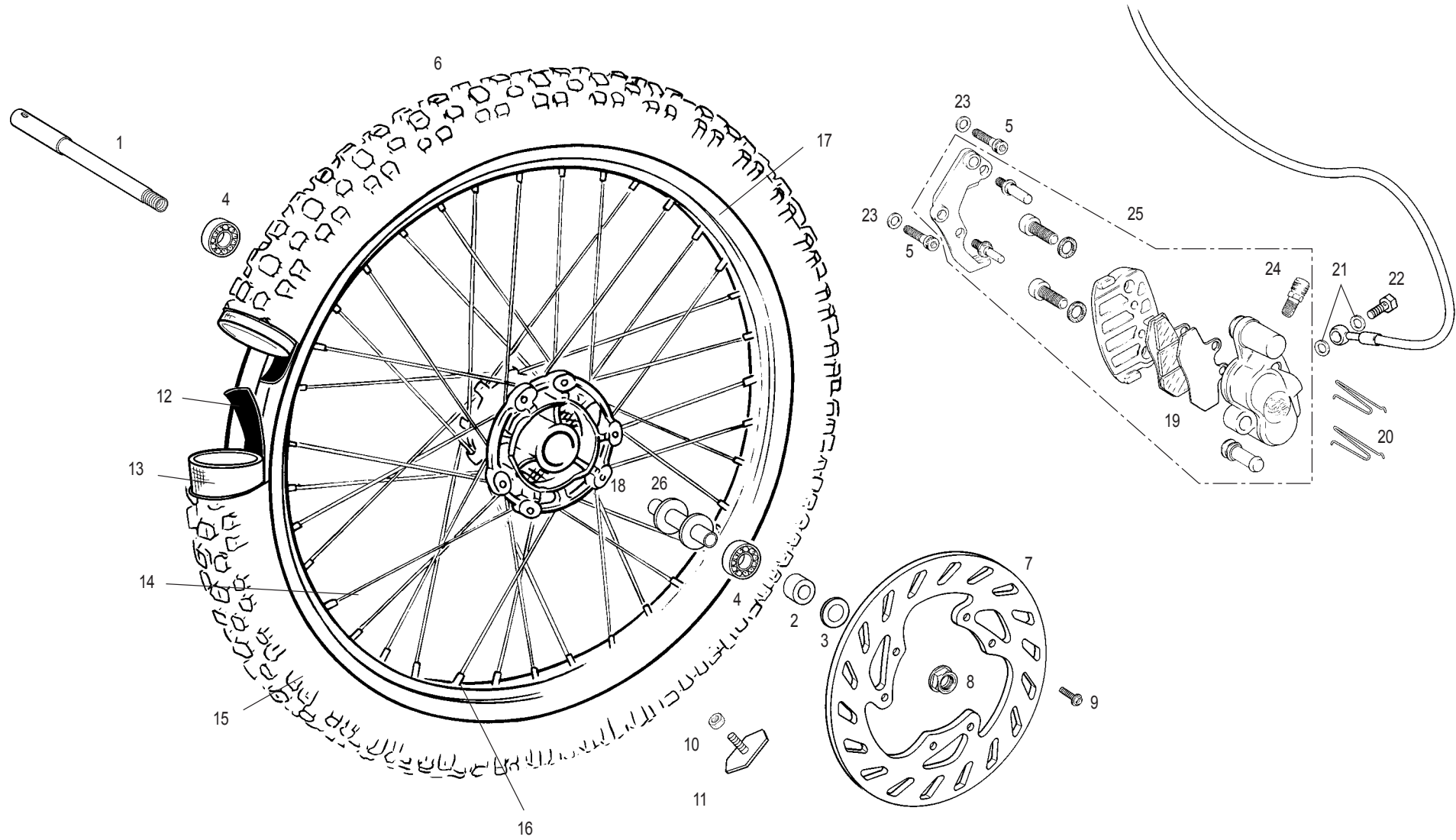


1	CTO. ADH. SM ROOKIE 2004 / <i>SM ROOKIE 2004 STICKERS SET</i>	BE050438000SM	1
2	ADH. ROOKIE 2T BASCULANTE / <i>ROOKIE 2T STICKER ARM</i>	BE050438005	2
4	ADH. TAPA FILTRO / <i>AIR FILTER COVER STICKER</i>	BE250438049SM	1
8	ADH. STARTER / <i>STARTER STICKER</i>	PU00038002	1

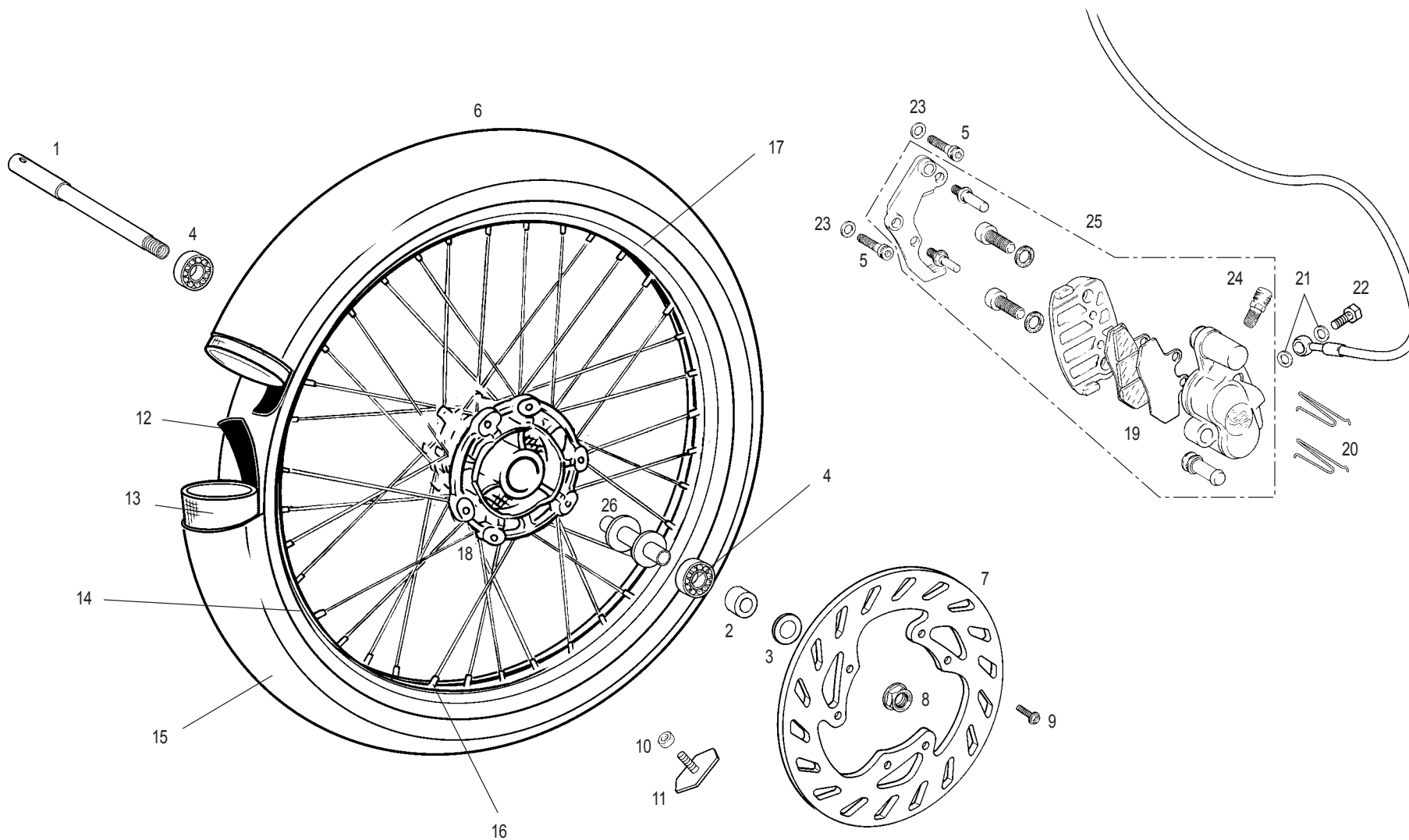




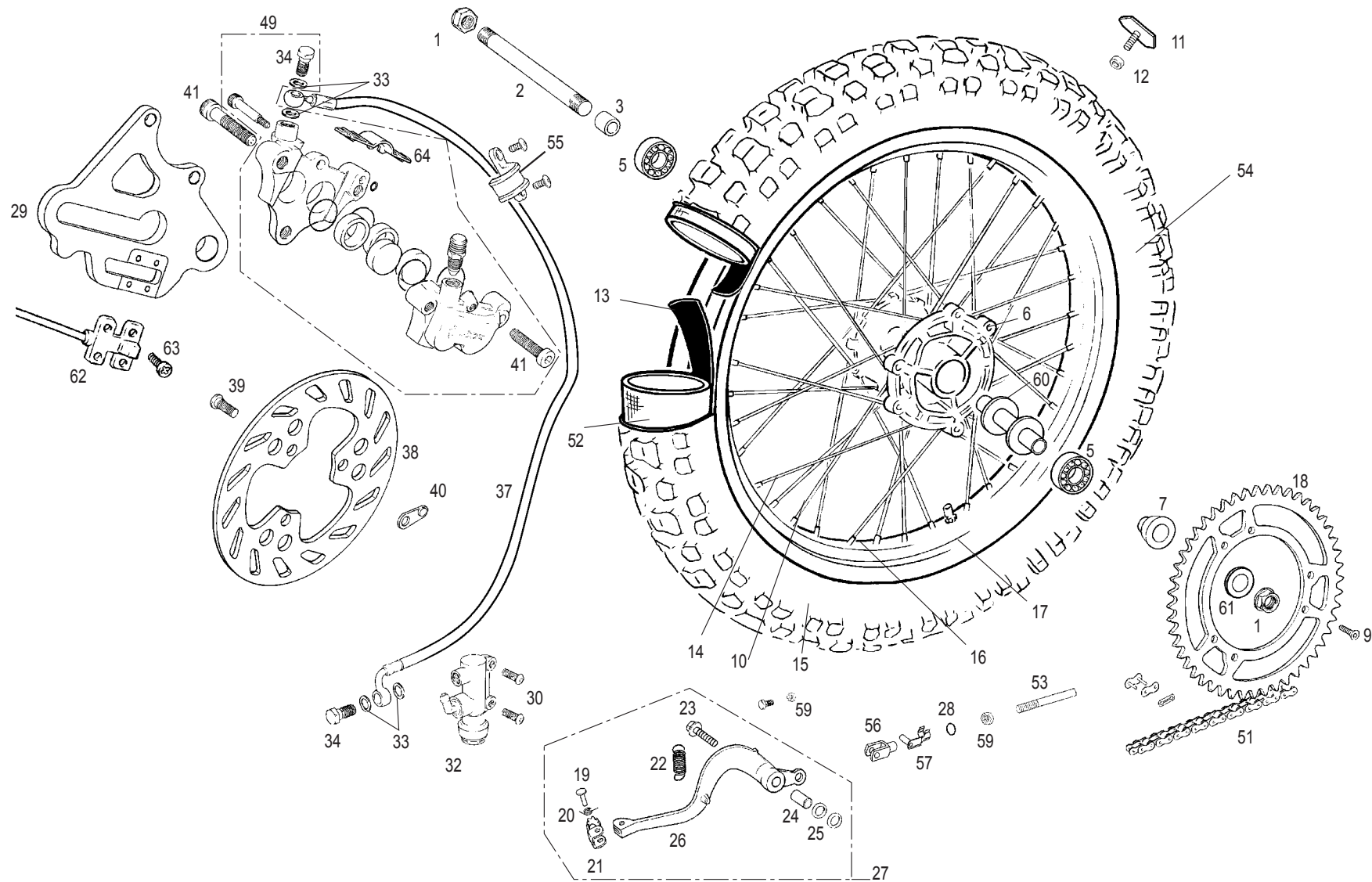
Nº	DESCRIPCION / DESCRIPTION	EC / SM ROOKIE	Cant.
1	REJILLA RADIADOR DERECHA / <i>RIGHT RADIATOR PROTECTOR</i>	BE25620001	1
2	REJILLA RADIADOR IZQUIERDA / <i>LEFT RADIATOR PROTECTOR</i>	BE25620002	1
3	TIRA SUJECCIÓN DEPÓSITO / <i>FUEL TANK RUBBER BAND HOLDER</i>	BE250136020	1
4	PLÁSTICO LATERAL RADIADOR / <i>RADIATOR SIDE PLASTIC</i>	BE25632015	2
5	ALLEN 6x20 / <i>6x20 ALLEN</i>	T0306020	5
6	CASQUILLO INFERIOR SUJ. RADIADOR / <i>LOWER RADIATOR HOLDER BUSHING</i>	BE25832040	5
7	SILENTBLOCK RADIADOR / <i>RADIATOR SILENTBLOCK</i>	BIE500132031	9
8	TAPON RADIADOR / <i>RADIATOR CAP</i>	BIE500132032	1
9	RADIADOR / <i>RADIATOR</i>	BIE500132001	1
10	ABRAZADERA COBRA 23 / <i>23 COBRA CLAMP</i>	L200041	2
11	TUBO RADIADOR/CULATA G-001 / <i>G-001 HOSE RADIATOR/CYLINDER HEAD</i>	BIE500132002	1
12	TUBO RADIADOR/BOMBA G-002 / <i>G-002 HOSE RADIATOR/WATER PUMP</i>	BIE500132003	1
13	SOPORTE TUBO DESVAPORIZADOR / <i>STEAM HOSE HOLDER</i>	BE250420076	1
14	TUBO DESVAPORIZADOR TAPON GASOLINA / <i>FUEL TANK HOSE HOLDER</i>	BT280310018	1
15	TAPÓN GASOLINA / <i>FUEL TANK CAP</i>	BE250020010	1
16	TORNILLO / <i>SCREW</i>	T0606020	1
17	TUBO DESVAPORIZADOR / <i>HOSE</i>	BIT50010116	1
18	TORNILLO ROSCA-CHAPA 10x1 / <i>10x1 SCREW</i>	T0610001	1
19	CASQUILLO DEPÓSITO / <i>TANK BUSHING</i>	BIE050210007	1
20	DEPOSITO / <i>FUEL TANK</i>	BIE500110024	1
21	GRIFO DE GASOLINA / <i>FUEL TANK TAP</i>	BE25610031	1
22	ULS 6x12 / <i>6x12 ULS SCREW</i>	T0506012	2
23	TORICA GRIFO GASOLINA 10x2.5 / <i>10x2.5 FUEL TAP O'RING</i>	B740120	1
24	ABRAZADERA 20-32 / <i>20-32 CLAMP</i>	L200044	1
25	ABRAZADERA COBRA 20 / <i>20 CLAMP</i>	L200035	1
26	CASQUILLO DEPOSITO / <i>FUEL TANK BUSHING</i>	BE25610007	1
27	FILTRO SALIDA DEPOSITO ACEITE / <i>OIL EXIT FILTER</i>	BQ050332225	1
28	ABRAZADERA 12-22 / <i>12-22 CLAMP</i>	BQ050332224	1
29	TUBO ACEITE / <i>OIL HOSE</i>	BT280236004	1
30	TORNILLO ESPECIAL 6x16 8.8 ZINCADO / <i>6x16 8.8 SPECIAL SCREW</i>	T0206016	2
31	TAPON DEPOSITO ACEITE / <i>OIL TANK CAP</i>	BIE500110079	1
32	DEPOSITO ACEITE / <i>OIL TANK</i>	BQ050332217	1
33	ABRAZADERA ELASTICA ALAMBRE 9.3x9.9 / <i>9.3x9.9 ELASTIC CLAMP</i>	L200036	1



Nº	DESCRIPCION / DESCRIPTION	EC / SM ROOKIE	Cant.
1	EJE RUEDA DELANTERA / FRONT WHEEL AXLE	BEP250218017	1
2	DISTANCIADOR RUEDA DELANTERO IZQUIERDO / FRONT WHEEL SPACER	BEP250218019	1
3	ARANDELA 15x25x2.5 / 15x25x2.5 WASHER	T4015025	1
4	COJINETE RUEDA / WHEEL BEARING	BIE500118054	2
5	ALLEN 8x30 / 8x30 ALLEN	T0208020	2
6	CTO. RUEDA DELANTERA / FRONT WHEEL SET	BE050418000	1
7	DISCO FRENO DEL. 240mm / 240mm FRONT BRAKE DISK	BIE500122011SM	1
8	TUERCA EJE BASCULANTE / SWINGARM AXLE NUT	B260001	1
9	HEXAGONAL M8 CON ARANDELA DISCO FRENO / M8 HEXAGONAL BOLT	T0208007	6
10	TUERCA CON ARANDELA M8 / M8 NUT WITH LOCK WASHER	T2208000	1
11	AGARRE CUBIERTA DELANTERA / FRONT TIRE HOLDER	BE25618027	1
12	PROTECTOR BANDA DELANTERA 21/28 / 21/28 FRONT PROTECTOR TAPE	BIE500118028	1
13	CAMARA DELANTERA MA-21 / MA-21 FRONT AIR HOSE	BIE500118001	1
14	RADIO DELANTERO / FRONT SPOKE	BIE500118009	36
15	NEUMÁTICO DELANTERO 80/90-21 MT21 / 80/90-21 MT21 FRONT TYRE	BIE050418002	1
16	TUERCA RADIO DELANTERO / FRONT SPOKE NUT	BIE500118016	36
17	LLANTA DELANTERA / FRONT RIM	BIE500118006	1
18	CUBO RUEDA DELANTERA / FRONT WHEEL HUB	BIE500118007	1
19	PASTILLAS DE FRENO DELANTERO / FRONT BRAKE PADS	BIE500122065	2
20	MUELLES SUJECCIÓN PASTILLAS FRENO / BRAKE HOLDER SPRING	R250000	2
21	ARANDELA LATIGUILLO / HOSE WASHER	BE25622007	2
22	RACORD SUJECCION LATIGUILLO / HOSE HOLDER RACORD	R320000	1
23	ARANDELA 8x17x1.5 / 8x17x1.5 WASHER	T4008017	2
24	SANGRADOR PINZA FRENO DELANTERO / FRONT BRAKE CALIPER BLEEDER	BT27922055	1
25	CTO. PINZA FRENO DELANTERO / FRONT BRAKE SET	BIE500122066	1
26	CASQUILLO BUJE DELANTERO / FRONT BUSHING	BIE500118051	1

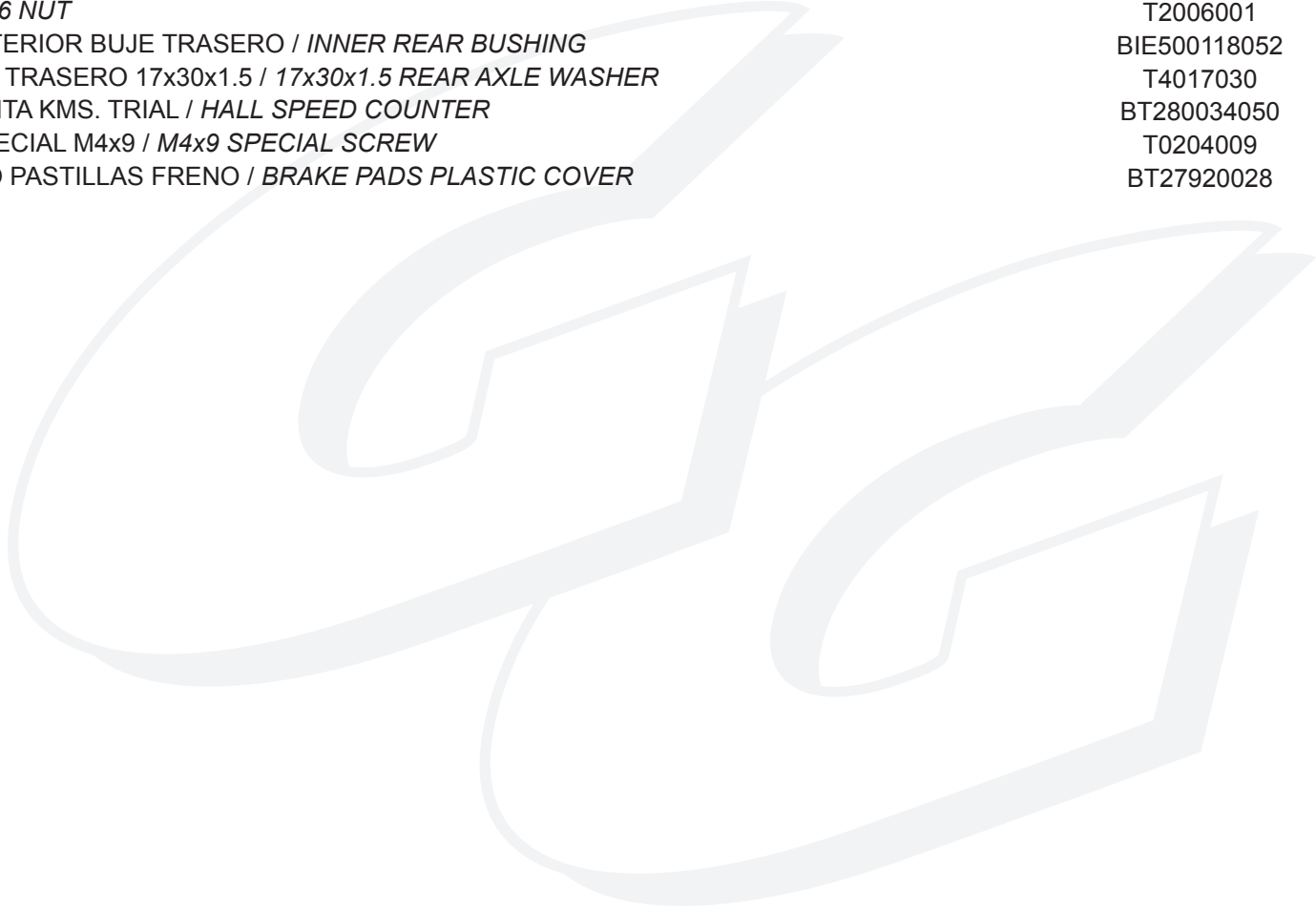


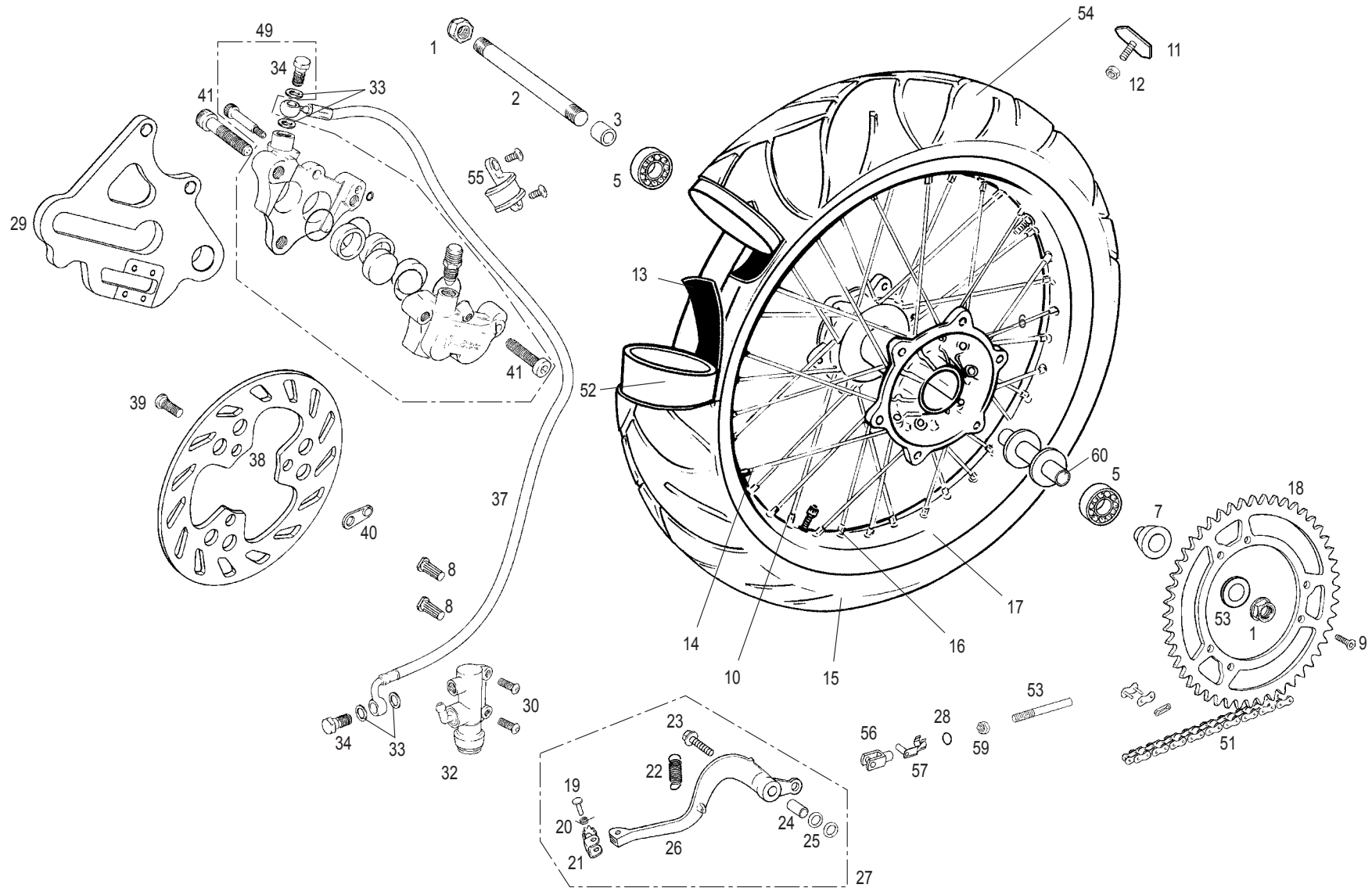
Nº	DESCRIPCION / DESCRIPTION	SM ROOKIE	Cant.
1	EJE RUEDA DELANTERA SM50 / SM50 FRONT WHEELAXLE	BIE500118017	1
2	DISTANCIADOR RUEDA DELANTERO IZQUIERDO / FRONT WHEEL SPACER	BIE500118019	1
3	ARANDELA 15x25x2.5 / 15x25x2.5 WASHER	T4015025	1
4	COJINETE RUEDA / WHEEL BEARING	BIE500118054	2
5	ALLEN 8x40 / 8x40 ALLEN	T0308040	2
6	CTO. RUEDA DELANTERA 01 / 01FRONT WHEEL SET	BIE050418000SM	1
7	DISCO FRENO DEL. 240mm / 240mm FRONT BRAKE DISK	BIE500122011	1
8	TUERCA EJE BASCULANTE / SWINGARM AXLE NUT	B260001	1
9	HEXAGONAL M8 CON ARANDELA DISCO FRENO / M8 HEXAGONAL BOLT	T0208007	6
10	TUERCA CON ARANDELA M8 / M8 NUT WITH LOCK WASHER	T2208000	1
11	AGARRE CUBIERTA DELANTERA / FRONT TIRE HOLDER	BE25618027	1
12	PROTECTOR BANDA DELANTERA 21/28 / 21/28 FRONT PROTECTOR TAPE	BIE500118028	1
13	CAMARA DELANTERA MA-21 / MA-21 FRONT AIR HOSE	BIE500118001	1
14	RADIO DELANTERO / FRONT SPOKE	BIE500118009	36
15	NEUMÁTICO DELANTERO 80/90-21 MT21 / 80/90-21 MT21 FRONT TYRE	BIE500118002	1
16	TUERCA RADIO DELANTERO / FRONT SPOKE NUT	BIE500118016	36
17	LLANTA DELANTERA / FRONT RIM	BIE500118006	1
18	CUBO RUEDA DELANTERA / FRONT WHEEL HUB	BIE500118007	1
19	PASTILLAS DE FRENO DELANTERO / FRONT BRAKE PADS	BIE500122065	2
20	MUELLES SUJECCIÓN PASTILLAS FRENO / BRAKE HOLDER SPRING	R250000	2
21	ARANDELA LATIGUILLO / HOSE WASHER	BE25622007	2
22	RACORD SUJECCION LATIGUILLO / HOSE HOLDER RACORD	R320000	1
23	ARANDELA 8x17x1.5 / 8x17x1.5 WASHER	T4008017	2
24	SANGRADOR PINZA FRENO DELANTERO / FRONT BRAKE CALIPER BLEEDER	BT27922055	1
25	CTO. PINZA FRENO DELANTERO / FRONT BRAKE SET	BIE500122066	1
26	CASQUILLO BUJE DELANTERO / FRONT BUSHING	BIE500118051	1



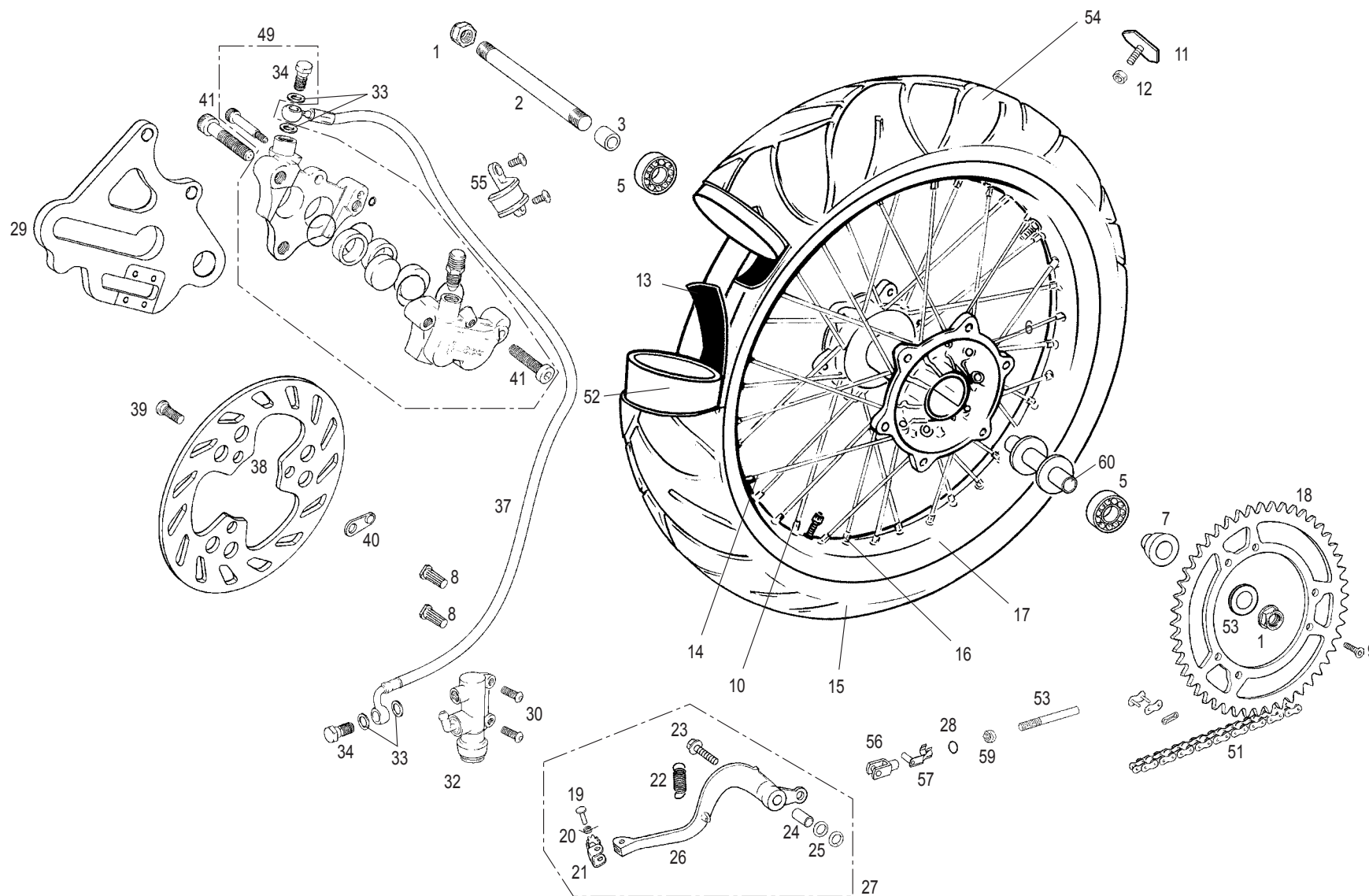
Nº	DESCRIPCION / DESCRIPTION	SM ROOKIE	Cant.
1	TUERCA EJE RUEDA TRASERA / REAR WHEEL NUT	R640001	2
2	EJE RUEDA TRASERA / REAR WHEELAXLE	BIE500118020	1
3	DISTANCIADOR RUEDA TRASERA DERECHA / REAR WHEEL RIGHT SPACER	BIE500118021	1
5	COJINETE 6003DU C3 / 6003DU C3 BEARING	BIE500118054	2
6	CUBO RUEDA TRASERA / REAR WHEEL HUB	BIE500118027	1
7	DISTANCIADOR RUEDA TRASERA IZQUIERDA / REAR WHEEL LEFT SPACER	BIE500118025	1
9	HEXAGONAL 8x20 / 8x20 HEXAGONAL NUT	T0108020	6
10	RADIO INTERIOR / INTERIOR SPOKE	BIE500118015	18
11	AGARRE CUBIERTA TRASERA / REAR TYRE HOLDER	BE25618008	1
12	TUERCA CON ARANDELA ESTRIADA / NUT WITH LOCK WASHER	T2208000	1
13	PROTECTOR BANDA TRASERA / REAR TAPE PROTECTION	BIE500118003	1
14	RADIO EXTERIOR / EXTERIOR SPOKE	BIE500118014	18
15	NEUMÁTICO TRASERO / REAR TYRE	BIE500118005	1
16	TUERCA RADIO TRASERO / SPOKE NUT	BIE500118016	36
17	LLANTA / RIM	BIE500118011	1
18	CORONA TRASERA / REAR SPROCKET	BIE500118024	1
19	REMACHE PUNTERA FRENO / BRAKE PEDAL END RIVET	BE25922018	1
20	MUELLE PUNTERA PEDAL RETRÁCTIL / BRAKE PEDAL END SPRING	ME25636029	1
21	PUNTERA PEDAL FRENO / BRAKE PEDAL END	BT27922017	1
22	MUELLE PEDAL FRENO / BRAKE PEDAL SPRING	BE25610023	1
23	TORNILLO ESPECIAL PEDAL FRENO / BRAKE PEDAL SPECIAL BOLT	BE250036062	1
24	GLACIER PEDAL FRENO / BRAKE PEDAL GLACIER	BE250010009	1
25	TÓRICA PEDAL FRENO / BRAKE PEDAL O'RING	ME250036063	2
26	PEDAL DE FRENO / BRAKE PEDAL	BIE05022016CT	1
27	CTO. PEDAL FRENO / BRAKE PEDAL SET	BE250022021	1
28	TORICA 8x1.5 PEDAL FRENO / BRAKE PEDAL 8x1.5 O'RING	BE25622028	1
29	SOPORTE PINZA / CALIPER SUPPORT	BIE500122120	1
30	TORNILLO ULS M6 SUJECCIÓN BOMBA FRENO / M6 ULS SCREW	T0506016	2
32	BOMBA FRENO TRASERO / REAR BRAKE PUMP	BEP250422010	1
33	ARANDELA LATIGUILLO / HOSE WASHER	BE25622007	4
34	RACORD FIJACIÓN LATIGUILLO / HOSE HOLDER RACORD	R320000	1
37	LATIGUILLO FRENO TRASERO / REAR BRAKE HOSE	BIE500122004	1
38	DISCO FRENO TRASERO / REAR BRAKE DISC	BIE500122012	1
39	TORNILLO DISCO TRASERO / REAR DISC BOLT	T0310818	3
40	PLACA SOPORTE IMAN CUENTA KM. / KM COUNTER SUPPORT	BIE500134012	1
41	ALLEN SUJECCIÓN PINZAS FRENO / SUPPORT BRAKE PADS ALLEN	T0318035	2
49	CTO. PINZA FRENO / BRAKE PAD SET	BT27922000	1
51	CADENA 420 126 PASOS / 126 LINKS 420 CHAIN	BIE500110036	1
52	CÁMARA TRASERA / REAR AIR CHAMBER	BIE500118004	1

Nº	DESCRIPCION / DESCRIPTION	SM ROOKIE	Cant.
53	VARILLA FRENO TRASERO / REAR BRAKE PIN	R710103	1
54	CTO. RUEDA TRASERA EC ROOKIE 04 / EC ROOKIE 04 REAR WHEEL SET	BIE050418100	1
55	SUJECCION LATIGUILLO SOBRE BASCULANTE / SWINGARM HOSE HOLDER	BE25612006	1
56	HORQUILLA VARILLA FRENO / BRAKE PIN YOKE	BE25622014	1
57	CHAPA METÁLICA / METALLIC CAP	BE25622015	1
59	TUERCA M6 / M6 NUT	T2006001	1
60	CASQUILLO INTERIOR BUJE TRASERO / INNER REAR BUSHING	BIE500118052	1
61	ARANDELA EJE TRASERO 17x30x1.5 / 17x30x1.5 REAR AXLE WASHER	T4017030	1
62	REENVIO CUENTA KMS. TRIAL / HALL SPEED COUNTER	BT280034050	1
63	TORNILLO ESPECIAL M4x9 / M4x9 SPECIAL SCREW	T0204009	4
64	TAPA PLASTICO PASTILLAS FRENO / BRAKE PADS PLASTIC COVER	BT27920028	1



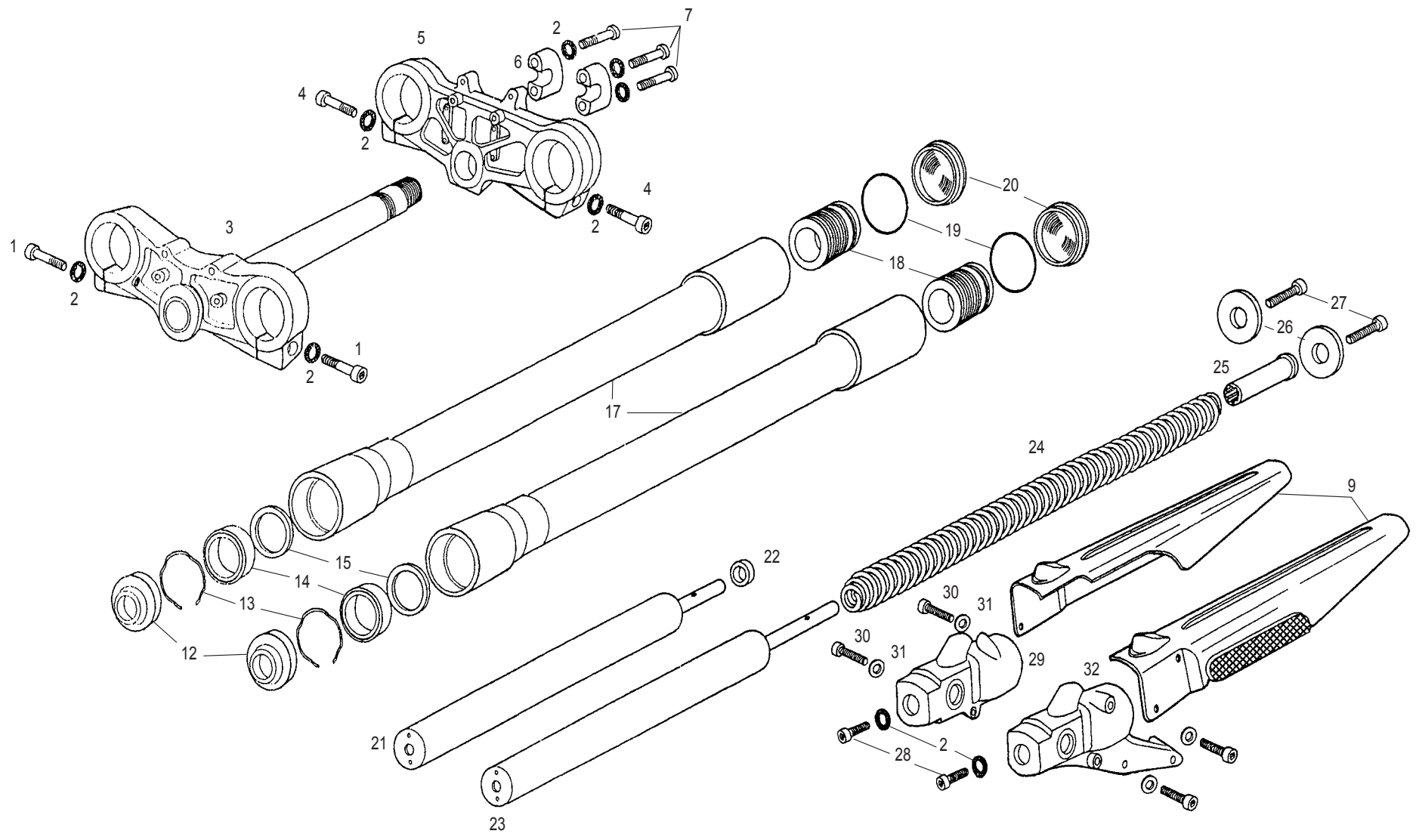


Nº	DESCRIPCION / DESCRIPTION	SM ROOKIE	Cant.
1	TUERCA EJE RUEDA TRASERA / REAR WHEEL NUT	R640001	2
2	EJE RUEDA TRASERA / REAR WHEELAXLE	BIE500118020	1
3	DISTANCIADOR RUEDA TRASERA DERECHA / REAR WHEEL RIGHT SPACER	BIE500118021	1
4	ARANDELA EJE TRASERO 17x30x1.5 / 17x30x1.5 REAR WASHER	T4017030	1
5	COJINETE 6003DU C3 / 6003DU C3 BEARING	BIE500118054	2
6	CUBO RUEDA TRASERA / REAR WHEEL HUB	BIE500118027	1
7	DISTANCIADOR RUEDA TRASERA IZQUIERDA / REAR WHEEL LEFT SPACER	BIE500118025	1
8	CASQUILLO SUJECCIÓN BOMBA TRASERA / REAR PUMP BUSHING	R350110	2
9	HEXAGONAL 8x20 / 8x20 HEXAGONAL NUT	T0108020	6
10	RADIO INTERIOR / INTERIOR SPOKE	BIE500118015	18
11	AGARRE CUBIERTA TRASERA / REAR TYRE HOLDER	BE25618008	1
12	TUERCA CON ARANDELA ESTRIADA / NUT WITH LOCK WASHER	T2208000	1
13	PROTECTOR BANDA TRASERA / REAR TAPE PROTECTION	BIE500118003	1
14	RADIO EXTERIOR / EXTERIOR SPOKE	BIE500118014	18
15	NEUMÁTICO TRASERO / REAR TYRE	BIE500118005	1
16	TUERCA RADIO TRASERO / SPOKE NUT	BIE500118016	36
17	LLANTA / RIM	BIE500118011	1
18	CORONA TRASERA / REAR SPROCKET	BIE500118024	1
19	REMACHE PUNTERA FRENO / BRAKE PEDAL END RIVET	BE25922018	1
20	MUELLE PUNTERA PEDAL RETRÁCTIL / BRAKE PEDAL END SPRING	ME25636029	1
21	PUNTERA PEDAL FRENO / BRAKE PEDAL END	BT27922017	1
22	MUELLE PEDAL FRENO / BRAKE PEDAL SPRING	BE25610023	1
23	TORNILLO ESPECIAL PEDAL FRENO / BRAKE PEDAL SPECIAL BOLT	BE250036062	1
24	GLACIER PEDAL FRENO / BRAKE PEDAL GLACIER	BE250010009	1
25	TÓRICA PEDAL FRENO / BRAKE PEDAL O'RING	ME250036063	2
26	PEDAL DE FRENO / BRAKE PEDAL	BIE05022016CT	1
27	CTO. PEDAL FRENO / BRAKE PEDAL SET	BE250022021	1
28	TORICA 8x1.5 PEDAL FRENO / BRAKE PEDAL 8x1.5 O'RING	BE25622028	1
29	SOPORTE PINZA / CALIPER SUPPORT	BIE500122120	1
30	TORNILLO ULS M6 SUJECCIÓN BOMBA FRENO / M6 ULS SCREW	T0506016	2
31	ABRAZADERA MUELLE / SPRONG CLAMP	BE25610044	1
32	BOMBA FRENO TRASERO / REAR BRAKE PUMP	R350100	1
33	ARANDELA LATIGUILLO / HOSE WASHER	BE25622007	4
34	RACORD FIJACIÓN LATIGUILLO / HOSE HOLDER RACORD	R320000	1
37	LATIGUILLO FRENO TRASERO / REAR BRAKE HOSE	BIE500122004	1
38	DISCO FRENO TRASERO / REAR BRAKE DISC	BIE500122012	1
39	TORNILLO DISCO TRASERO / REAR DISC BOLT	T0310818	3
40	PLACA SOPORTE IMAN CUENTA KM. / KM COUNTER SUPPORT	BIE500134012	1
41	ALLEN SUJECCIÓN PINZAS FRENO / SUPPORT BRAKE PADS ALLEN	T0318035	2

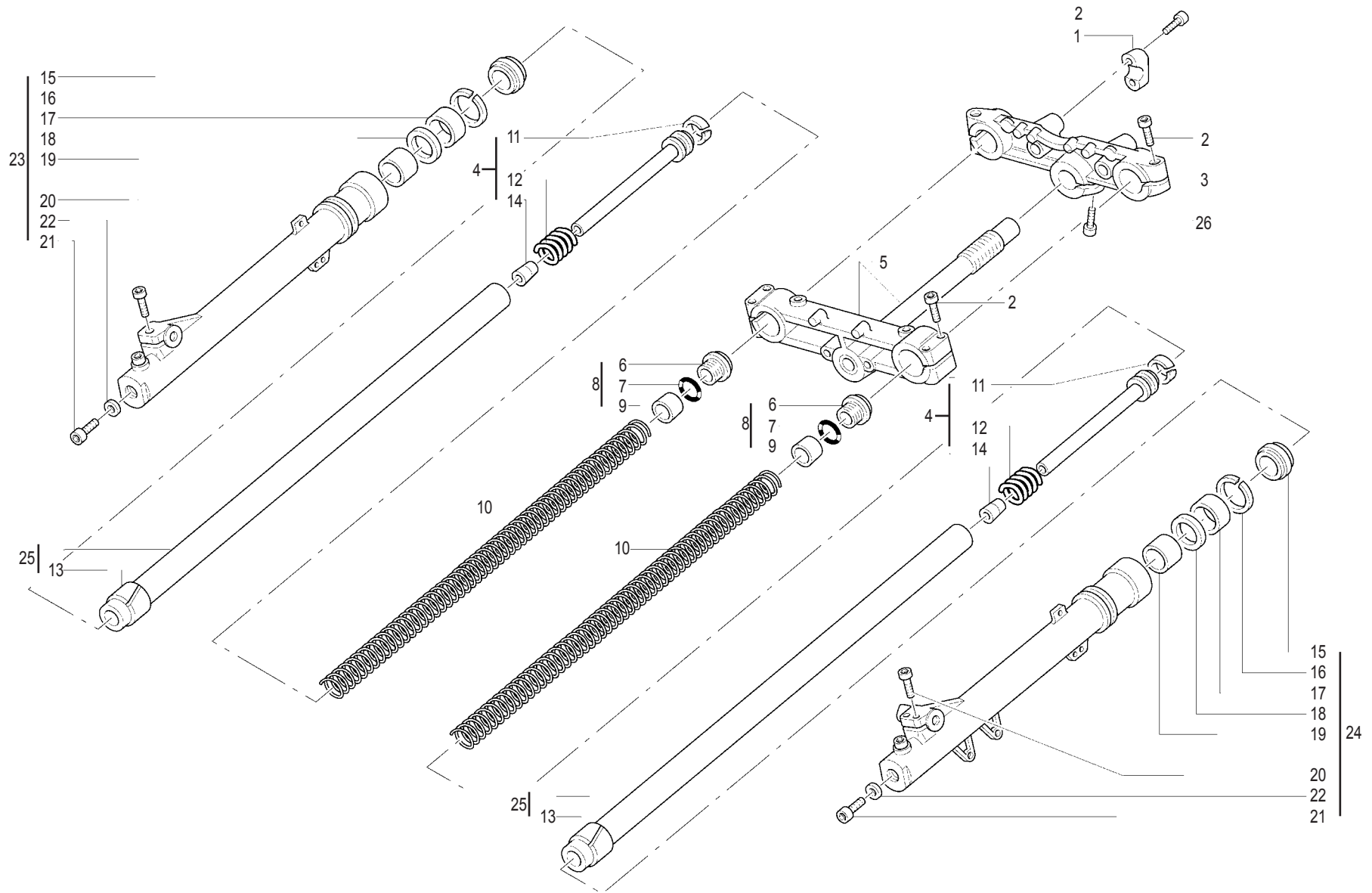


Nº	DESCRIPCION / DESCRIPTION	SM ROOKIE	Cant.
49	CTO. PINZA FRENO / <i>BRAKE PAD SET</i>	BT27922000	1
51	CADENA 420 126 LINKS / <i>CHAIN 420 126 LINKS</i>	BIE500110036	1
52	CÁMARA TRASERA / <i>REAR AIR CHAMBER</i>	BIE500118004	1
53	VARILLA FRENO / <i>BRAKE PIN</i>	BIE500122062	1
54	RUEDA TRASERA / <i>REAR WHEEL SET</i>	BIE500118100	1
55	SUJECCION LATIGUILLO SOBRE BASCULANTE / <i>SWINGARM HOSE HOLDER</i>	BE25612006	1
56	HORQUILLA VARILLA FRENO / <i>BRAKE PIN YOKE</i>	BE25622014	1
57	CHAPA METÁLICA / <i>METALLIC CAP</i>	BE256220022	1
59	TUERCA M6 / <i>M6 NUT</i>	BT2006001	1
60	CASQUILLO INTERIOR BUJE TRASERO / <i>INNER REAR BUSHING</i>	BIE500118052	1





Nº	DESCRIPCION / DESCRIPTION	EC / SM ROOKIE	Cant.
1	TORNILLO 8x35 / 8x35 BOLT	BIE500114014	2
2	ARANDELA ESTRIADA 8x13 / 8x13 WASHER	T4018013	6
3	BRIDA INFERIOR CON EJE / LOWER CLAMP WITH AXLE	BIE500114002	1
4	TORNILLO 8x40 / 8x40 BOLT	T0308040	2
5	TIJA SUPERIOR / TOP CLAMP	BIE500114001	1
6	BRIDA SUPERIOR MANILLAR / SUPPORT HANDLEBAR CLAMP	BIE500114012	2
7	TORNILLO 8x35 / 8x35 BOLT	T0308035	4
8	CONJUNTO SUSPENSION / SUSPENSION SET	BIE500114000	1
9	CONJUNTO PROTECTOR BARRAS / FORK PROTECTORS SET	BIE500114030	1
12	GUARDAPOLVO / DUST COVER	BIE500114131	2
13	CLIP / CLIP	BIE500114211	2
14	RETEN SUSPENSION / FORK SEAL	BIE500114212	2
15	ARANDELA / WASHER	BIE500114133	2
17	BOTELLA / OUTER TUBE	BIE500114206	2
18	TAPON / CAP	BIE500114102	2
19	TORICA / O'RING	BIE500114101	2
20	TAPON DE GOMA / RUBBER CAP	BIE500114101	2
21	CTO. BARRA DERECHO / RIGHT TUBE SET	BIE500114110	1
22	TAPON INFERIOR BARRA / LOWER TUBE CAP	BIE500114128	1
23	CTO. BARRA IZQUIERDO / LEFT TUBE SET	BIE500114111	1
24	MUELLE / SPRING	BIE500114108	1
25	GUIA MUELLE / SPRING GUIDE	BIE500114107	1
26	ARANDELA TOPE / STOPPER WASHER	BIE500114225	2
27	TORNILLO 10x25 / 10x25 BOLT	T0310025	2
28	TORNILLO 8x25 / 8x25 BOLT	T0308025	2
29	PUNTERA DERECHA / RIGHT FRONT BOTTLE END	BIE501114142	1
30	TORNILLO ULS / ULS BOLT	T0506012	4
31	ARANDELA / WASHER	T400612	4
32	PUNTERA IZQUIERDA / LEFT FRONT BOTTLE END	BIE500114143	1



Nº	DESCRIPCION / DESCRIPTION	EC / SM ROOKIE	Cant.
1	BRIDA MANILLAR SUPERIOR / HANDLEBAR UPPER CLAMP	BEP250214012	2
2	TORNILLO ALLEN 8x35 / 8x35 ALLEN SCREW	T0308035	10
3	BRIDA SUPERIOR / UPPER CLAMP	BEP250214001	1
4	CONJ. HIDRAULICO / HYDRAULIC SET	BEP250214114	2
5	BRIDA INFERIOR CON TIJA / LOWER CLAMP WITH STEERING AXLE	BE050414002	1
6	TAPON / CAP	BEP250214105	2
7	TORICA / O'RING	BEP250214104	2
8	CONJ. TAPON / CAP SET	BEP250214105CT	2
9	PRECARGA / PRE-LOAD WASHER	BEP250214148	2
10	MUELLE SUSPENSIÓN / SUSPENSION SPRING	BEP250214108	2
11	SEGMENTO / SEALING RING	BEP250214251	2
12	MUELLE HIDRAULICO / HYDRAULIC SPRING	BEP250214254	2
13	GLACIER BARRA / SEALING RING	BT280414111	2
14	TAPON DE FONDO / BOTTOM RUBBER	BEP250214233	2
15	GUARDAPOLVO / DUST COVER	BT280414131	2
16	ANILLO SEEGER / CIRCLIP	BEP250214132	2
17	RETEN SUSPENSIÓN / SUSPENSION SEAL	BT280414212	2
18	ARANDELA DISTANCIADOR / SPACER WASHER	BEP250214133	2
19	GLACIER BOTELLA / SPACER	BT280414134	2
20	TORNILLO ALLEN 6x25 / 6x25 ALLEN SCREW	T0306025	3
21	TORNILLO / SCREW	BE25714146	2
22	ARANDELA / WASHER	BEP250214145	2
23	BOTELLA DERECHA / RIGHT FORK LEG COMPLETE	BEP250214142	1
24	BOTELLA IZQUIERDA / LEFT FORK LEG COMPLETE	BEP250214143	1
25	BARRA SUSPENSIÓN / SUSPENSION BAR	BEP250214110	2
26	ULS 6x12 / 6x12 ULS BOLT	T0506012	1

DESPIECE PART LIST

**EC / MC
ROOKIE
2005**

GAS GAS

RECOMIENDA EL USO DE ACEITE:



Ref.: PU010538048

Fecha de impresión: Julio 2005

Los componentes aquí expuestos y referenciados se basan en los datos existentes en la fecha de impresión de este manual. GAS GAS Motos, S.A. se reserva el derecho de efectuar cambios y/o modificaciones sin previo aviso.